



Kiaro
OPENING SYSTEM

Kiara

Kiara is an opening system for drop down doors with a concealed mechanism which allows to adjust the settings depending on door weight and dimension, thus enabling to manage a wide range of doors with only one reference.

As it is a two-handed mechanism, it can be installed both on right and left side. A high resistance technical wire grants a significant loading capacity together with minimal shapes and elegant design.

Available in two finishes which respond to the current overriding trends in the furniture appliances industry. It is conceived also to be installed with integrated led lighting.



FEATURES AND BENEFITS



MINIMAL AND ELEGANT DESIGN

Wire opening system with reduced size and elegant shapes, becoming an element of design for the whole cabinet



OPTIMIZED STOCK MANAGEMENT

One reference to cover a wide range of door weights and dimensions



TWO-HANDED MECHANISM

The same mechanism can be installed both on right and left side



EASY INSTALLATION

The opening system can be installed with an easy mounting of the lateral profile on the cabinet side and an easy fixation of the wire onto the door



INTEGRATED LED LIGHTING

Available also with an integrated decorative led lighting which includes an innovative activation system



HANDLELESS DOORS

Just one K PUSH TECH enables the door opening, with any door weight and size



WIDE ADJUSTMENT

The mechanism allows a wide adjustment of the opening angle

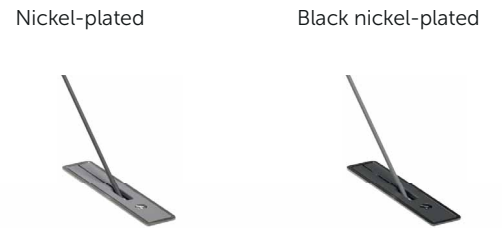
MINIMAL DESIGN, ADAPTABLE FINISHES



LATERAL PROFILE FINISHES

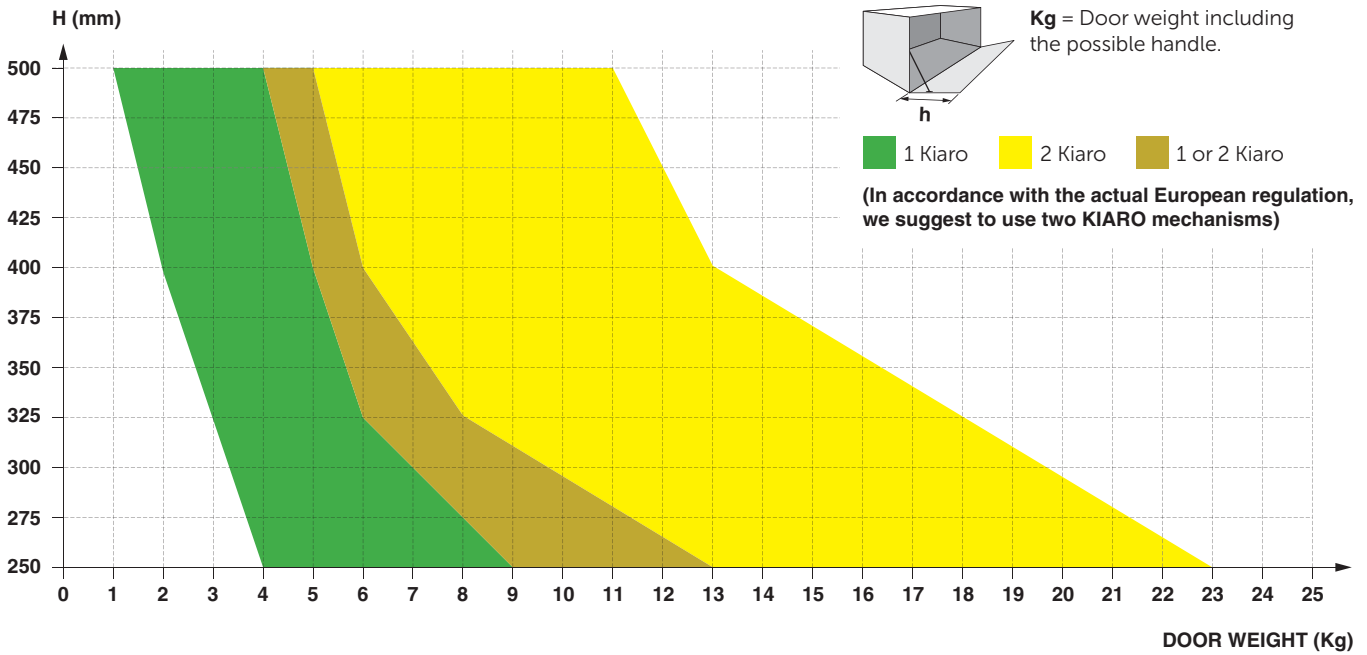


DOOR BRACKET FINISHES



WIDE RANGE OF APPLICATION

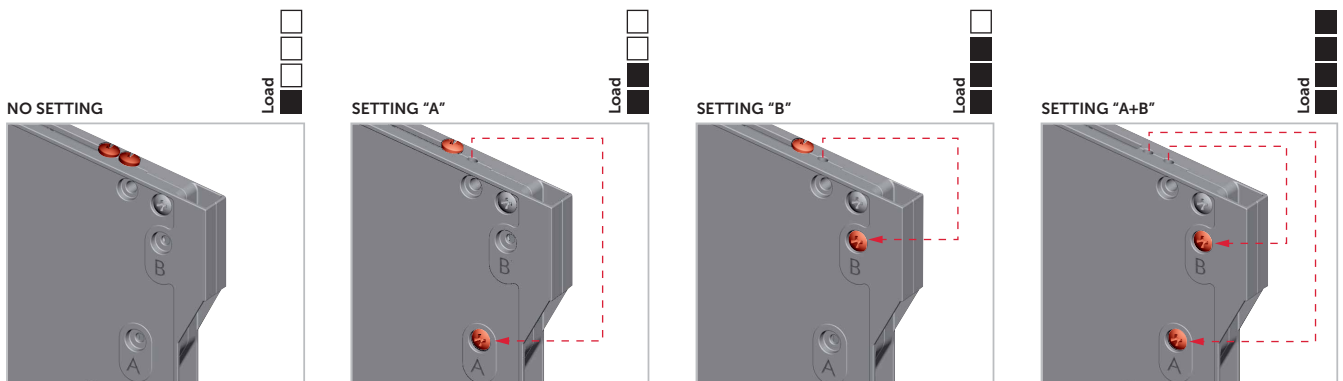
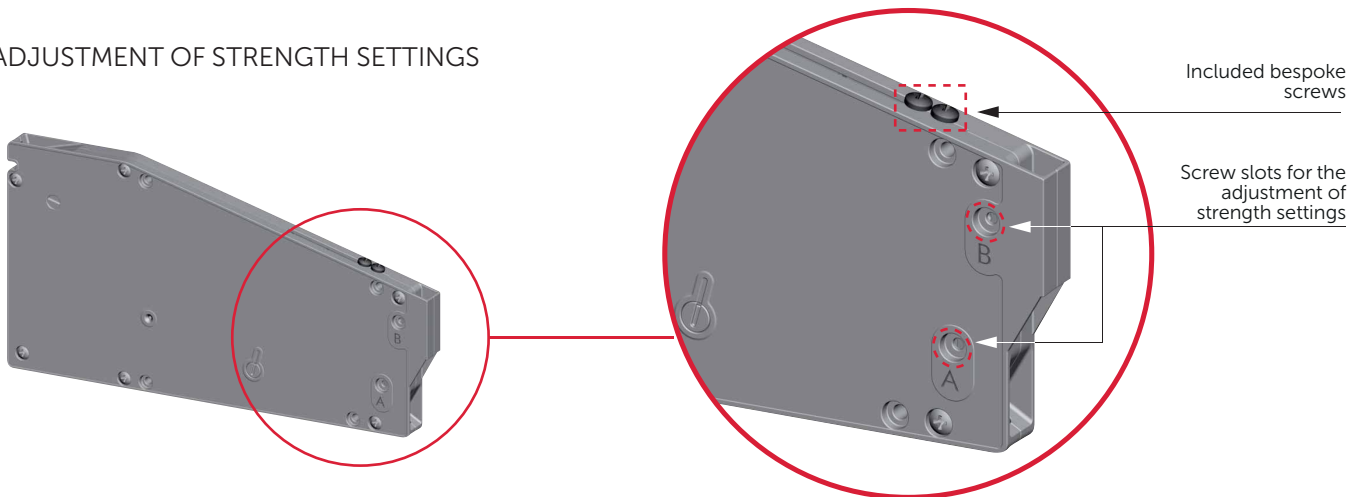
MECHANISM INSTALLATION



ONE REFERENCE OF MECHANISM TO MANAGE EVERY SITUATION: ANY DOOR WEIGHT AND DIMENSION.

The same mechanism has 4 different strength settings which cover the most common door sizes and weight. The adjustment of strength settings can be carried out directly on the mechanism by slotting the bespoke screws into the corresponding places.

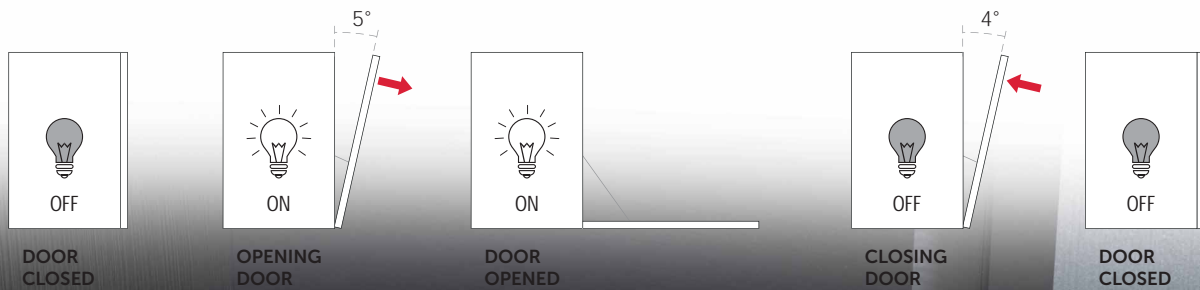
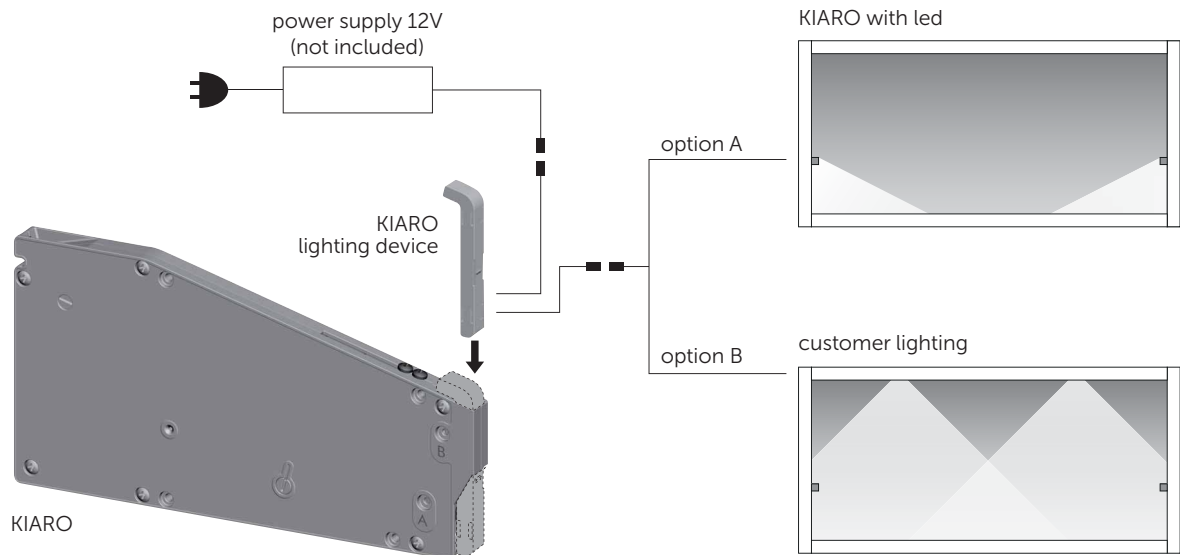
ADJUSTMENT OF STRENGTH SETTINGS



KIARO WITH INTEGRATED LIGHTING DEVICE

The mechanism can be supplied with an integrated device operating as an on-off switch for the internal light, coordinated with the door opening and closing, adding a homely ambiance and a touch of luxury.

The lighting device of KIARO is to be installed on the concealed mechanism and can work either for the lateral profile with integrated LED strip or for other lighting appliances placed inside the cabinet.



A COMPLETE SET WITH MATCHING FINISHES

KIARO opening system has been conceived in two finishes which perfectly match with the main current trends of the interior design sector in terms of colours, surfaces and materials. It is also conceived to be matched with the wide range of fittings by Italiana Ferramenta, such as K PUSH TECH and KIMANA. The metallic components optimally match with the different finishes of KIMANA hinge, while the plastic inserts pair with the family of K PUSH TECH for door opening of the doors without handles or knobs.

K PUSH TECH 37 with buffer

Program of automatic opening systems for doors without handles or knobs. A special inner mechanism provides a very silent, yet powerful utilization, granting a long durability which makes it perfectly suitable for a wide range of doors.

WHITE



LIGHT GREY



ANTHRACITE



KIMANA hinge

Hinge to open and close flap and drop-down doors. Provided with a unique and exclusive movement, it allows to open cabinet doors in column, even when the cabinet bottom lies upon another panel or the cabinet top is surmounted by a decorative/lighting panel.

NICKEL



GRAPHITE

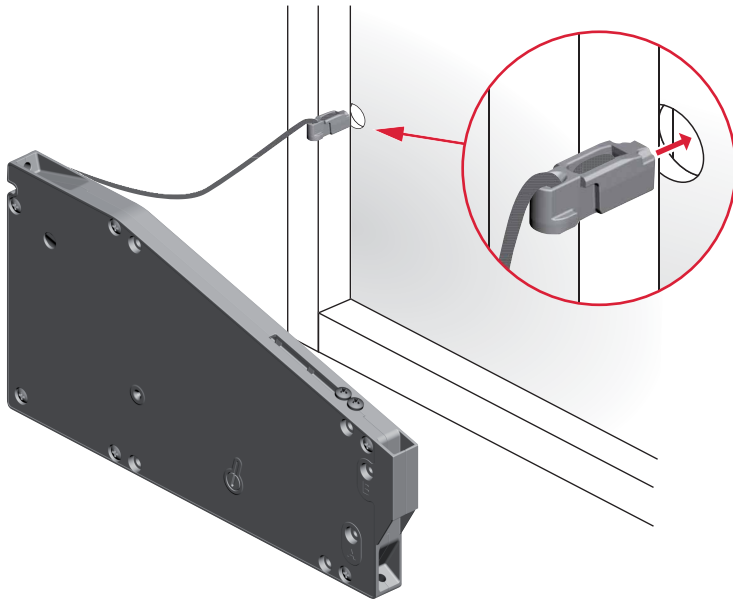


BLACK NICKEL

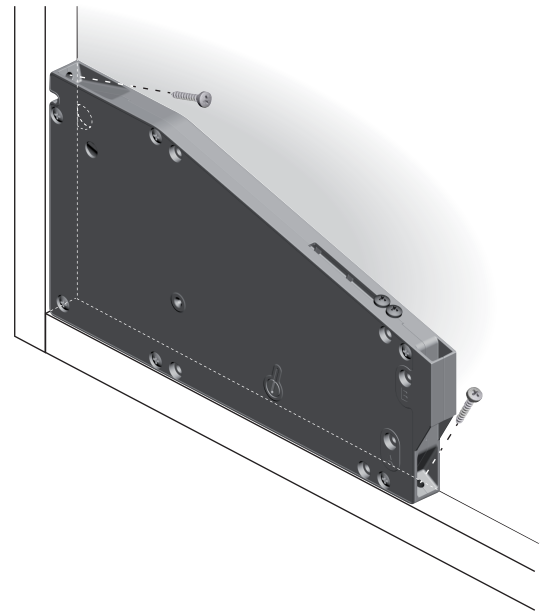


INSTALLATION

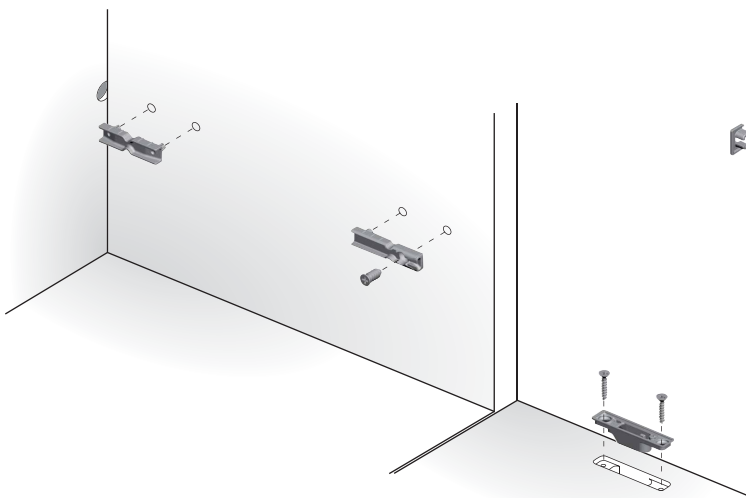
STEP 1 - wire insertion through the back-panel hole



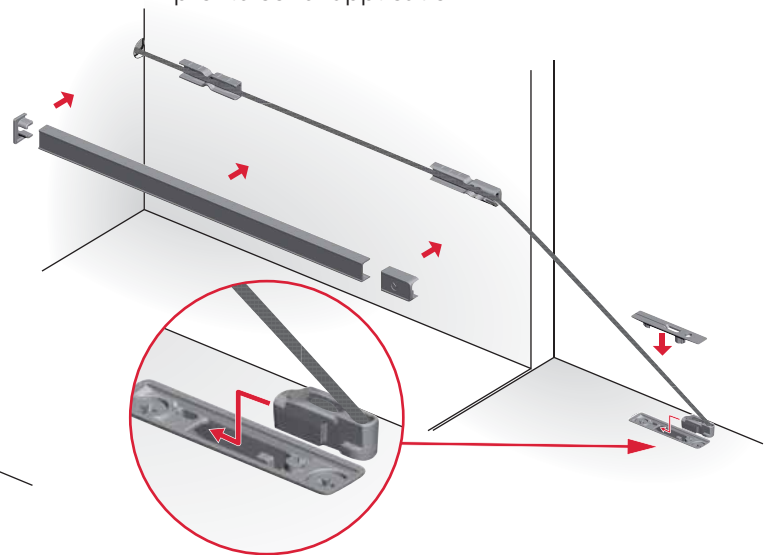
STEP 2 - mechanism mounting



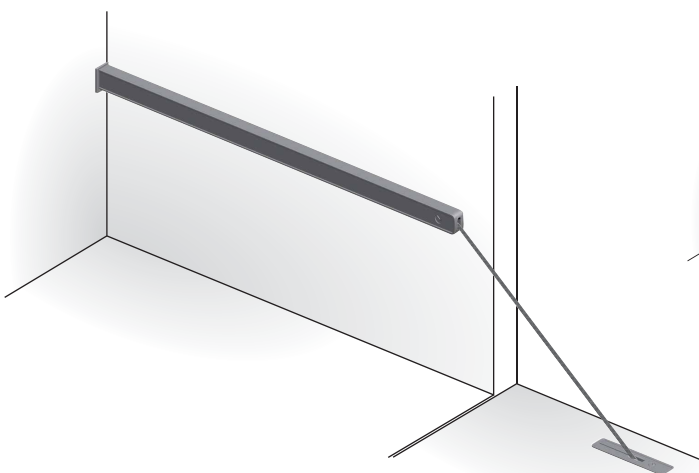
STEP 3 - side supports fixing



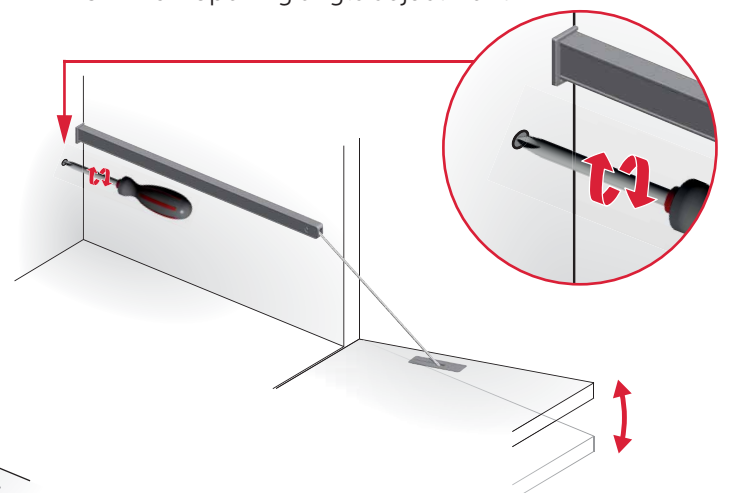
STEP 4 - wire application into the side supports and profile cover application



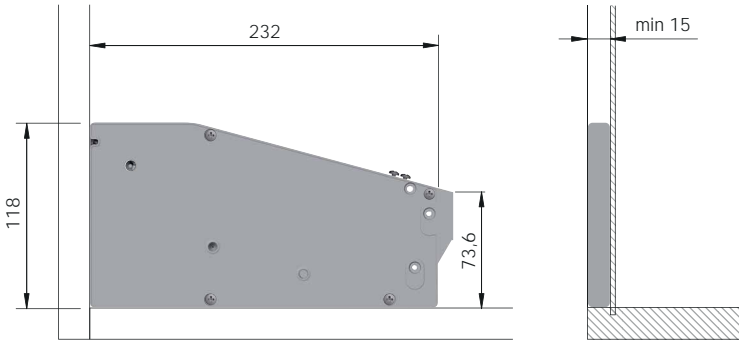
STEP 5 - KIARO final installation



STEP 6 - opening angle adjustment

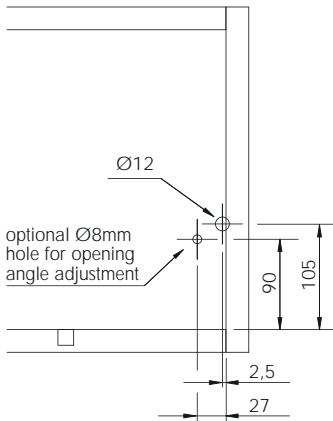


DIMENSION OF THE MECHANISM

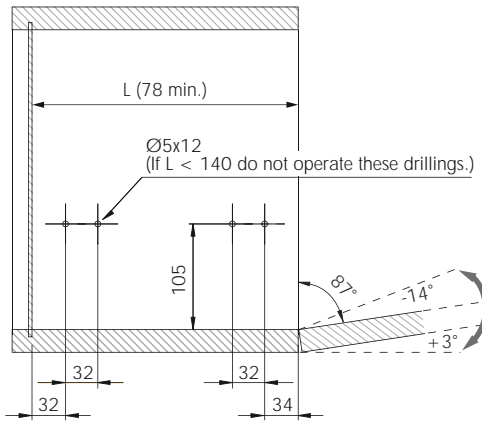


DRILLING PLAN

back-panel drilling operations



side-panel drilling operations

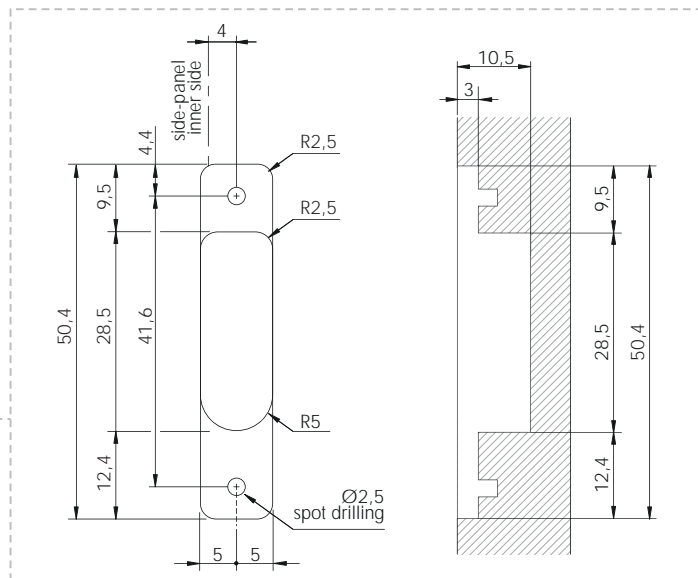
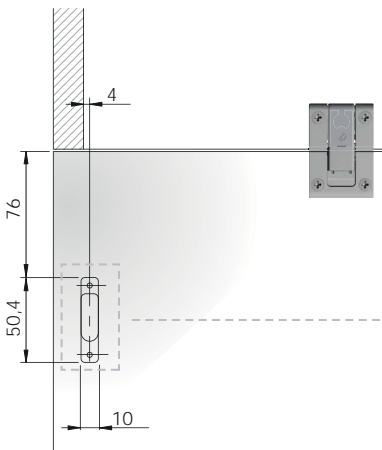


In case of door without handles it is recommended to use K Push Tech with buffer.

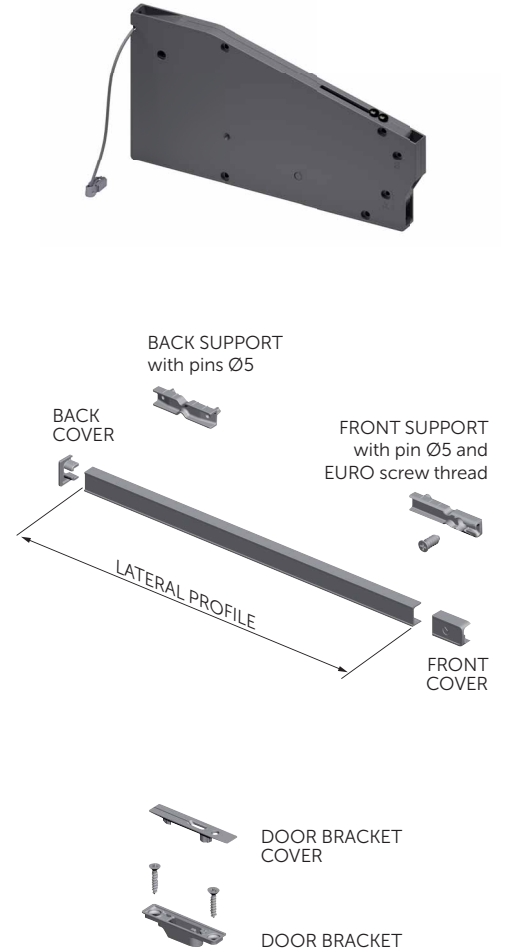


Overcrossing 90° door opening angle, negatively affects the Kimana hinges.

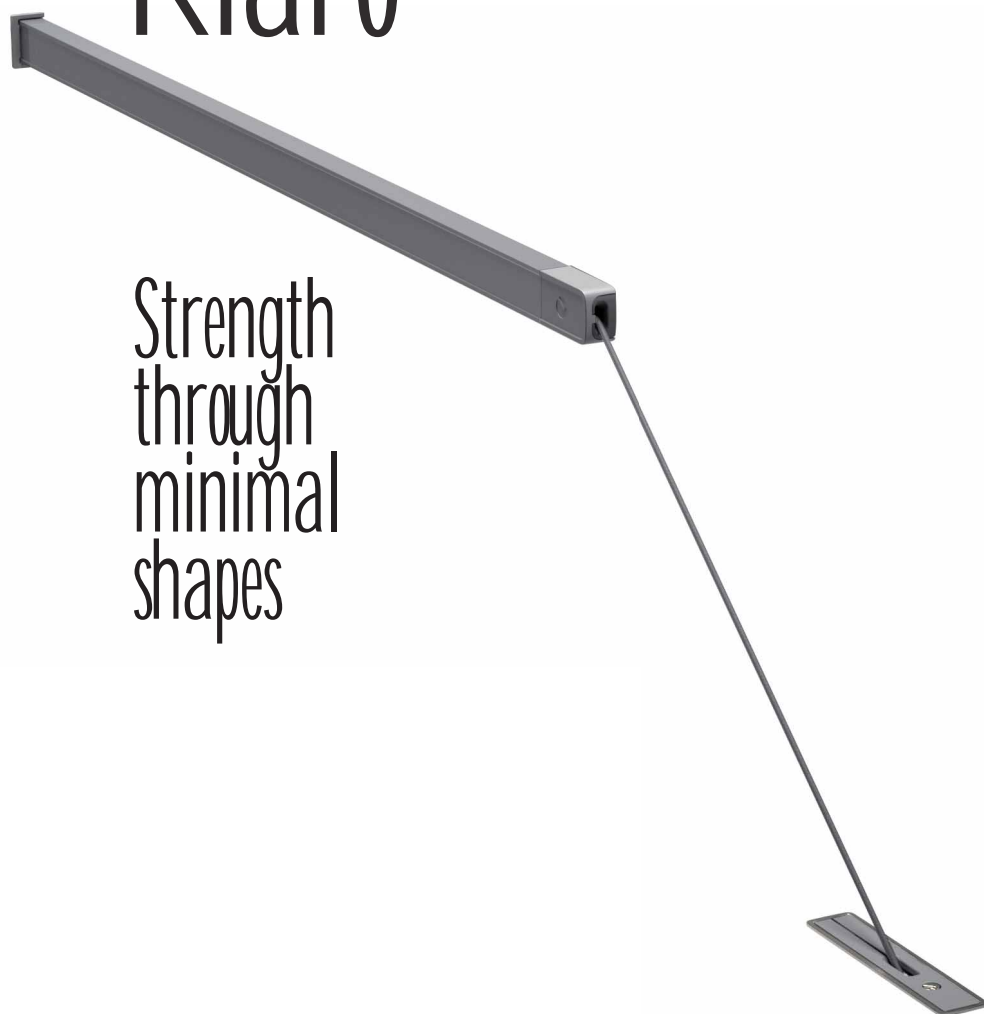
door-panel drilling operations



COMPLETE KIT



Kiaro



Strength
through
minimal
shapes



www.italianaferramenta.com

Italiana Ferramenta s.r.l.

Viale Europa 17 - 33070 Brugnera (PN) Italy
Phone +39 0434 428211 - Fax +39 0434 428242
E-mail: info@italianaferramenta.it