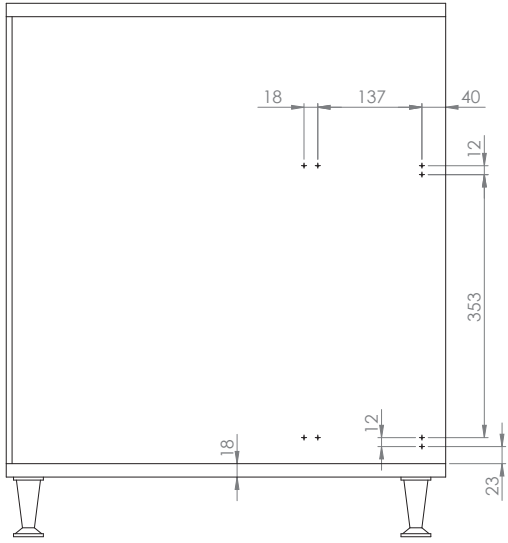
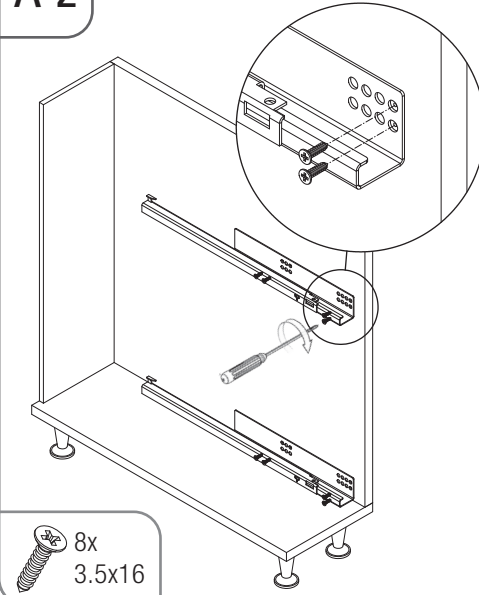


- GİZLİ RAYLI ŞİŞELİK (TEK AÇILIM) MONTAJ ŞEMASI (SAĞ)
- BOTTLE HOLDER WITH UNDERMOUNT RAIL (SINGLE EXTENSION) MOUNTING INSTRUCTIONS (LEFT)

A-1

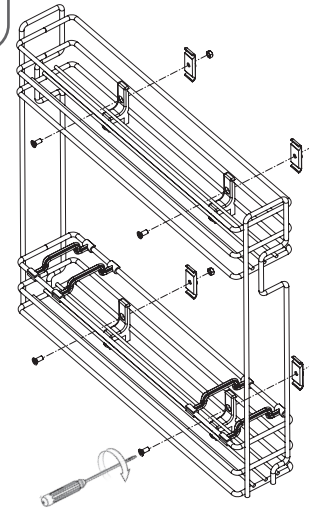


A-2



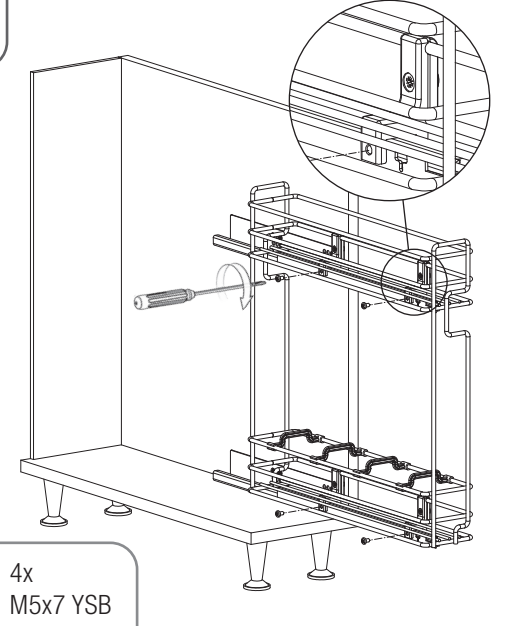
8x  
3.5x16

B-1



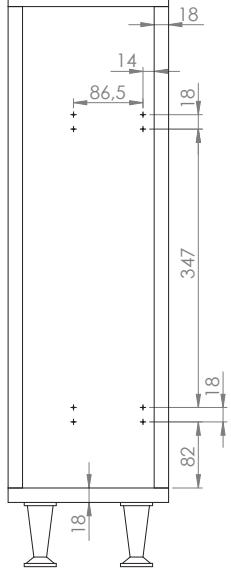
4x  
M5 Nut    4x  
M5x10 YHB

B-2

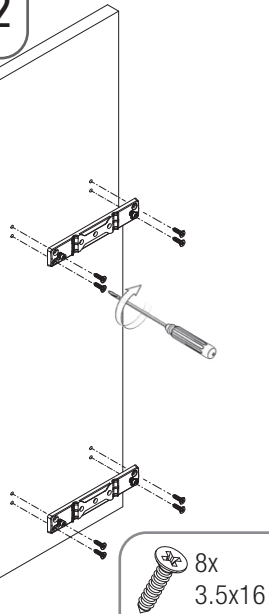


4x  
M5x7 YSB

C-1

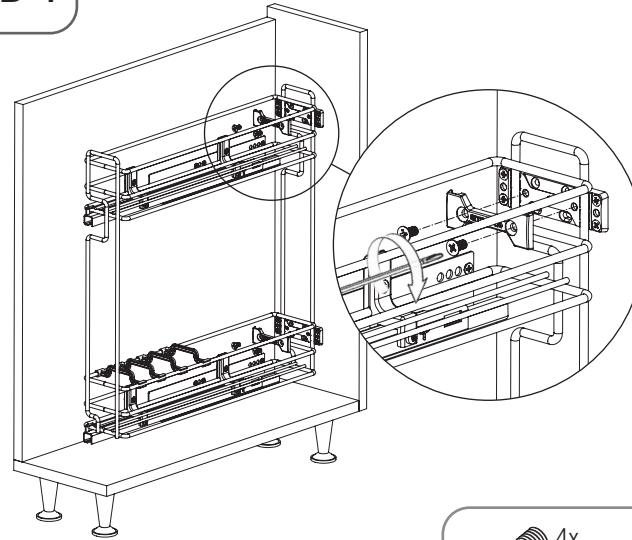


C-2



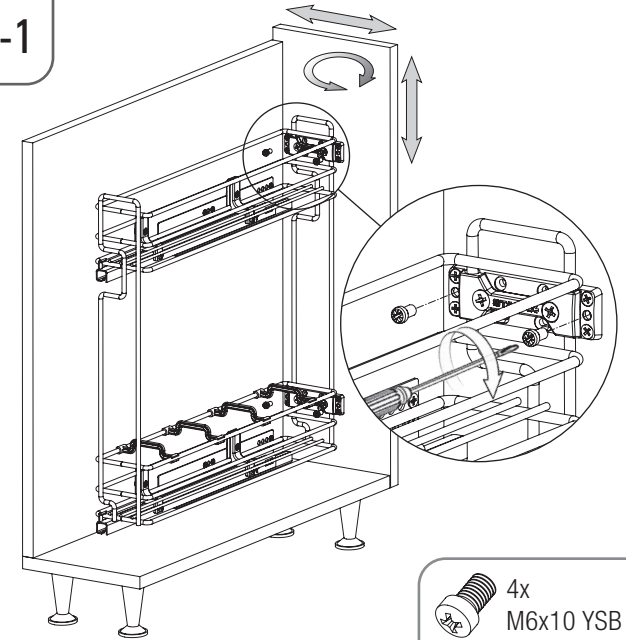
8x  
3.5x16

D-1



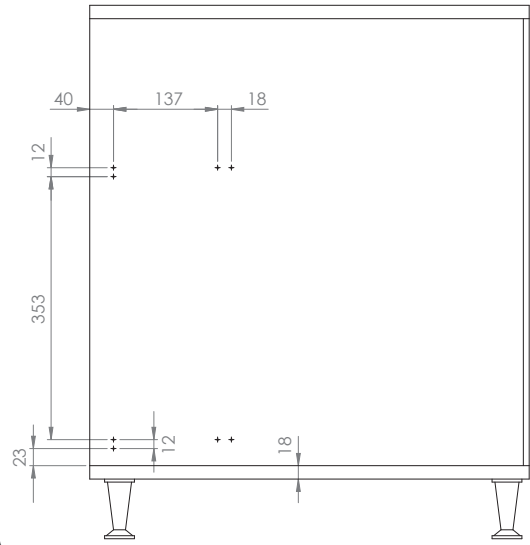
4x  
M6x10 YHB

E-1

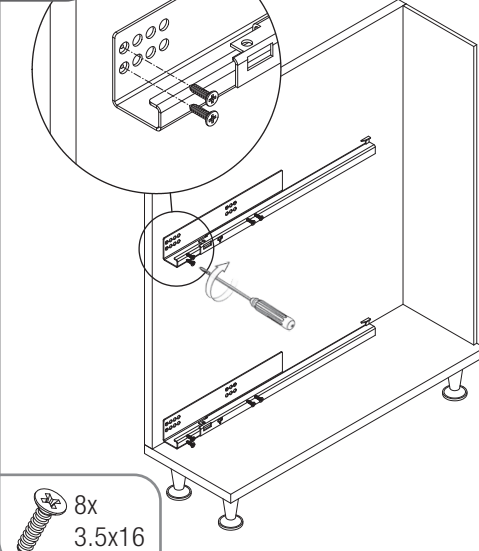


4x  
M6x10 YSB

A-1

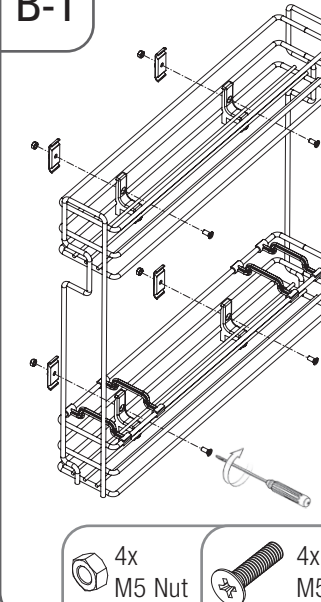


A-2



8x  
3.5x16

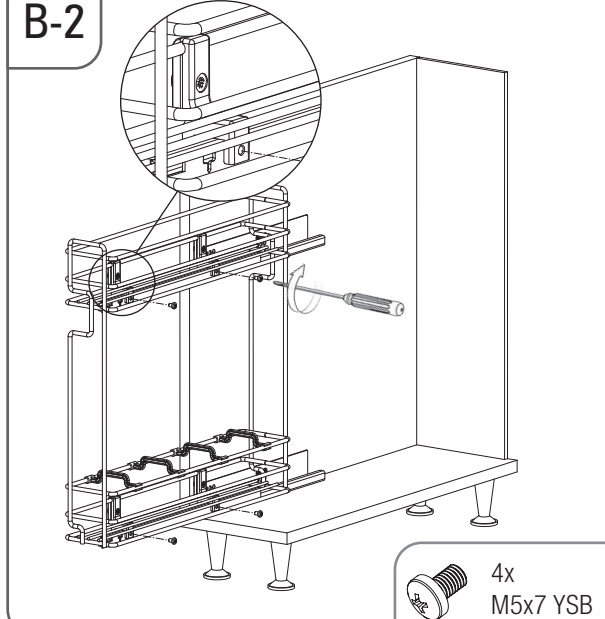
B-1



4x  
M5 Nut

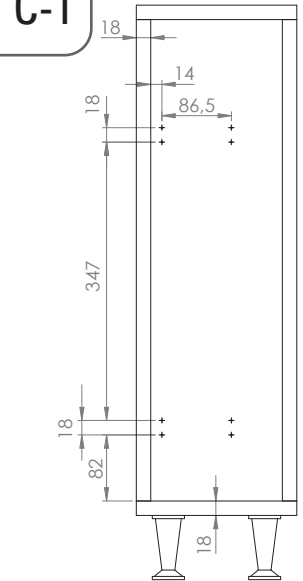
4x  
M5x10 YHB

B-2

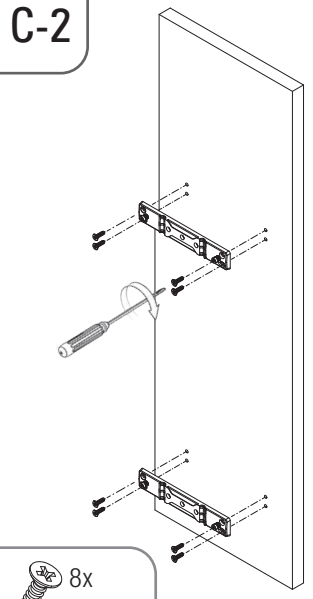


4x  
M5x7 YSB

C-1

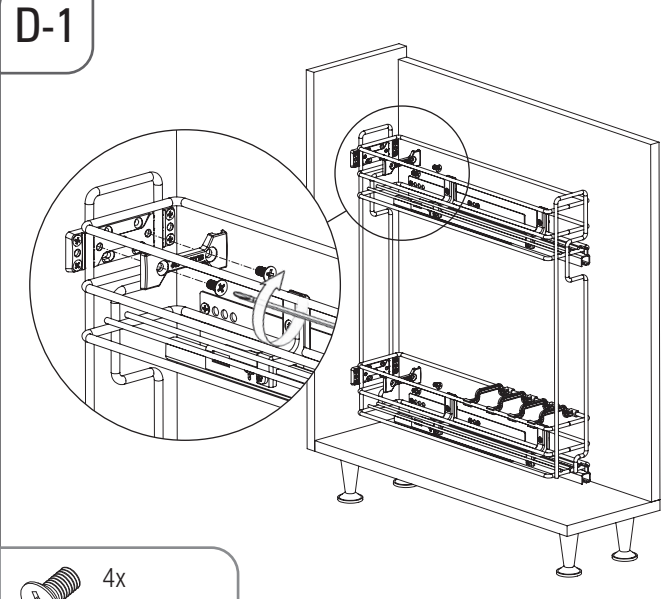


C-2



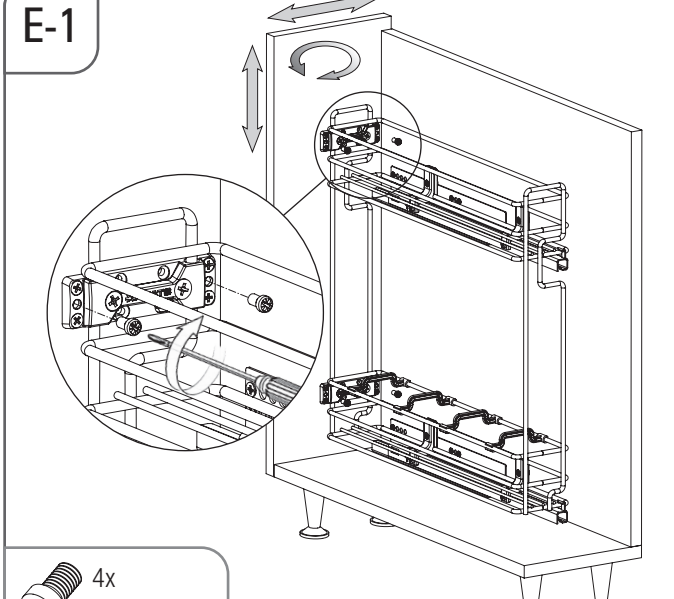
8x  
3.5x16

D-1



4x  
M6x10 YHB

E-1



4x  
M6x10 YSB