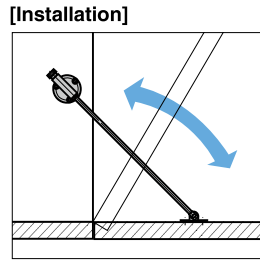


# LID STAY S-35



Opening Direction	Description
<p>Downward-opening</p>	Non-handed

LIFT ASSIST STAYS

SOFT CLOSING STAYS

TORQUE STAYS

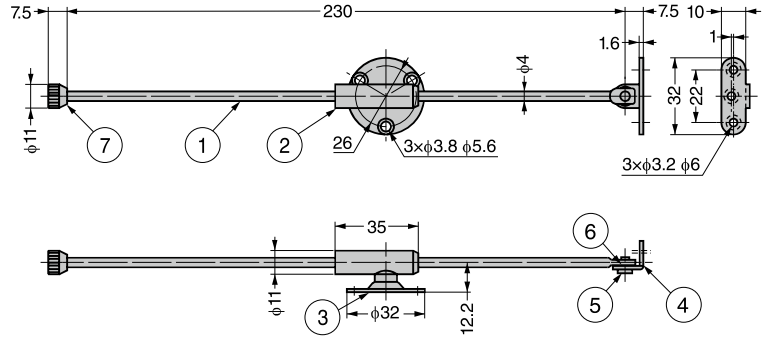
HEAVY DUTY LOCKING STAYS

FOOT STAYS

LID STAYS

OTHER STAYS

No.	Part Name	Material	Finish/Colour
①	Arm	Steel (SWRM)	Chrome
②	Arm Guide	PA	Brown
③	Bracket	Steel (SPCC)	Chrome
④	Bracket		
⑤	Shaft	Brass	Tin Cobalt Plating
⑥	N Washer	PA	Natural
⑦	Nut	Brass	Nickel



RoHS	CAD	Item Code	Item Name	Weight (g)	Box (pcs)	Carton (pcs)
		180-100-151	S-35	44	60	300

TOP-OPENING

# LID STAY S-34



DOWNWARD-OPENING

UPWARD-OPENING

BOTTOM-OPENING

SWING DOOR

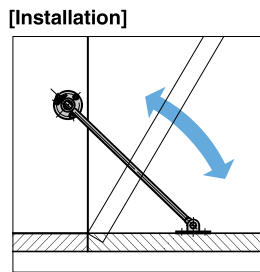
LIFT-UP

LIFT-DOWN

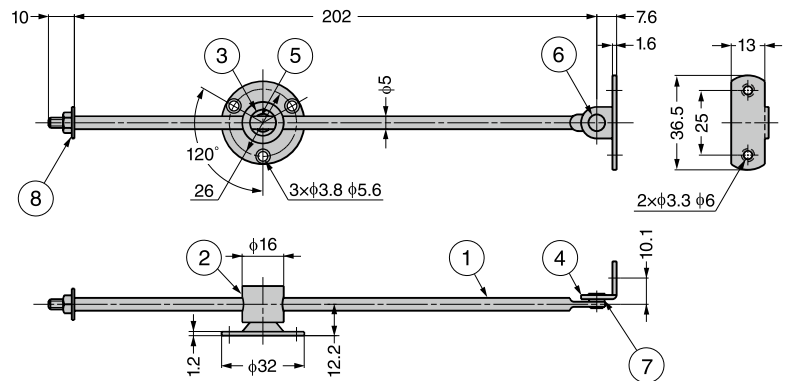
UP & OVER

BI-FOLDING

OVER THE TOP



Opening Direction	Description
<p>Downward-opening</p>	Non-handed



No.	Part Name	Material	Finish/Colour
①	Arm	Steel (SWRM)	Chrome
②	Arm Guide	PA	Natural
③	Bracket	Steel (SPCC)	Chrome
④	Bracket		
⑤	Shaft A	Steel (SWCH)	Coloured Zinc Chromate (Trivalent)
⑥	Shaft B	Brass	Tin Cobalt Plating
⑦	Washer	PA	Natural
⑧	Flanged Hexagon Nut	Steel (SWCH)	Nickel

RoHS	CAD	Item Code	Item Name	Weight (g)	Box (pcs)	Carton (pcs)
		180-100-150	S-34	52	60	300