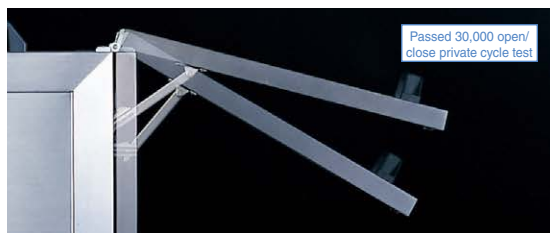


SOFT-DOWN STAY NSDX-35(R/L) 2S



LIFT ASSIST STAYS

SOFT CLOSING STAYS

TORQUE STAYS

HEAVY DUTY LOCKING STAYS

FOOT STAYS

LID STAYS

OTHER STAYS

TOP-OPENING

DOWNWARD-OPENING

UPWARD-OPENING

BOTTOM-OPENING

SWING DOOR

LIFT-UP

LIFT-DOWN

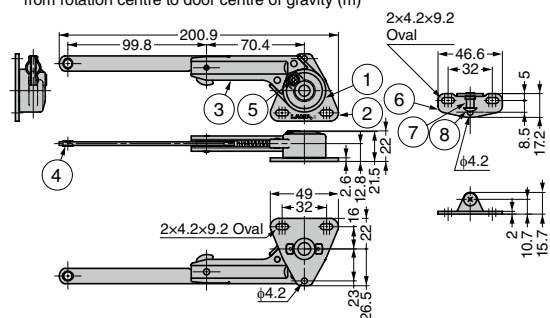
UP & OVER

BI-FOLDING

OVER THE TOP

[Maximum Door Moment]

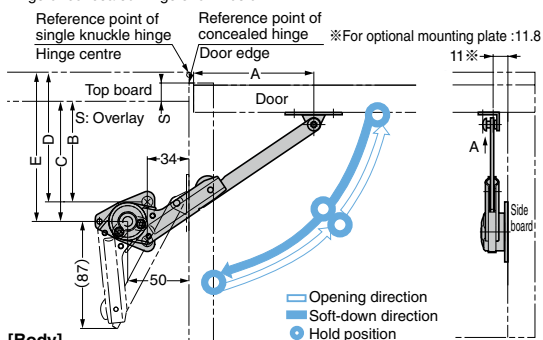
- With 1 stay
Maximum door moment = 1.96~4.9 N · m
- With 2 stays, the maximum door moment will be doubled.
Maximum door moment (N · m) = Door weight (kg) × 9.80665 × Distance from rotation centre to door centre of gravity (m)



| No. | Part Name | Material | Finish/Colour |
|-----|-------------------------|------------------|---------------|
| ① | Body | Zinc Alloy (ZDC) | |
| ② | Mounting Plate | Steel (SPCC) | Nickel |
| ③ | Arm | | |
| ④ | Sleeve | POM | Black |
| ⑤ | Adjustment Screw | Steel (SWCH) | |
| ⑥ | Arm Mounting Plate | Steel (SPCC) | Nickel |
| ⑦ | Shaft | | |
| ⑧ | Truss Head Screw (M4×5) | Steel (SWCH) | |

[Installation] Right side installation for upward-opening 90°. Left side installation is symmetrical.

Comes down slowly and softly in closing direction. Installation with piano/butt hinge or concealed hinge shown below.



[Body]

| RhS | CAD | Item Code | Item Name | Type | Material | Finish | Maximum Door Moment N · m/pc | Maximum Door Moment kgf · cm/pc | Weight (g) | Box (pcs) | Carton (pcs) |
|-----|-----|-------------|------------|--------------|-------------------|--------|------------------------------|---------------------------------|------------|-----------|--------------|
| G | 3D | 180-109-026 | NSDX-35R2S | Right-handed | Zinc Alloy (ZDC)/ | Nickel | 1.96~4.9 | 20~50 | 170 | 20 | 80 |
| G | 3D | 180-109-027 | NSDX-35L2S | Left-handed | Steel | | | | | | |

[Mounting Plate] Sold Separately 2

| RhS | CAD | Item Code | Item Name | Type | Weight (g) | Box (pcs) | Carton (pcs) |
|-----|-----|-------------|-----------|-----------------------------------|------------|-----------|--------------|
| G | 3D | 180-109-460 | NSDX-CZ | Clip-on | 13 | 160 | 640 |
| G | 3D | 180-109-019 | NSDX-AZ | Clip-on for 20 mm Aluminium Frame | 11 | 320 | 1280 |
| G | 3D | 180-109-459 | NSDX-GZ | Clip-on for Glass Door | 14 | 160 | 640 |

Refer to 1 : P.293, 2 3 : P.369

| Opening Direction | Description | Non-handed | Maximum Door Moment |
|-------------------|-------------|------------|---------------------------------------|
| | With Catch | - | 1.96~4.9 N · m/pc (20~50 kgf · cm/pc) |

- For upward-opening doors.
- Holds the opened door at two angles.
- Designed to hold the door in fully closed position.
- Opening angle 80°, 90° or 100°.
- Closing speed adjustable with adjustment screw.

[Specifications]

- Operating temperature: 0°C~40°C

[Remarks]

- Be sure to read the "Cautions" 1.
- Handed: Specific left and right-handed.
- Door closing speed varies depending on product difference and use conditions.
- Do not push the door up more than opening angle. Also do not forcibly press the door down when closing.

[Sold Separately]

- Mounting plate 2
- SDS face plate and spacer for glass door 3

Video Link



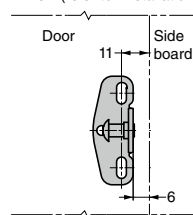
Selection Tool



Sasuga-kun

Installation for Mounting Plate

A-view (refer to "Installation")



| Hinge Type | | A | B | C | D | E |
|------------|----------------------|------|--------|---------|------|-------|
| 80°60° | Concealed Hinge | 106 | 105-S | 121-S | - | - |
| | Single Knuckle Hinge | 100 | - | - | 99 | 115 |
| 90°65° | Concealed Hinge | 98 | 97-S | 113-S | - | - |
| | Single Knuckle Hinge | 91.5 | - | - | 90.5 | 106.5 |
| 100°70° | Concealed Hinge | 92.5 | 91.5-S | 107.5-S | - | - |
| | Single Knuckle Hinge | 85 | - | - | 84 | 100 |

Installation dimensions vary depending on hinge type and opening angle.

- S is overlay at hinge side.
- Reference point for each dimension: hinge centre for single knuckle hinge, while door edge for concealed hinge.

[SDS Face Plate and Spacer for Glass Door] Sold Separately 3 (Please use with mounting plate NSDX-GZ.)

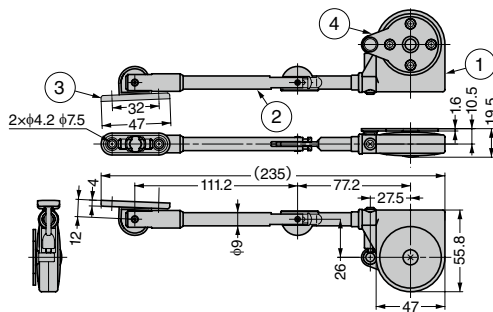
| RhS | CAD | Item Code | Item Name | Material | Finish/Colour | Weight (g) | Box (pcs) | Carton (pcs) |
|-----|-----|-------------|------------|------------|---------------------------|------------|-----------|--------------|
| G | 3D | 180-100-260 | SDS-50G-CR | Zinc Alloy | Chrome/Black | 25 | 50 | 200 |
| G | 3D | 180-928-046 | SDS-50G-BL | (ZDC)/ABS | Black Enamel Finish/Black | | | |

SOFT-DOWN STAY SDS-C301N



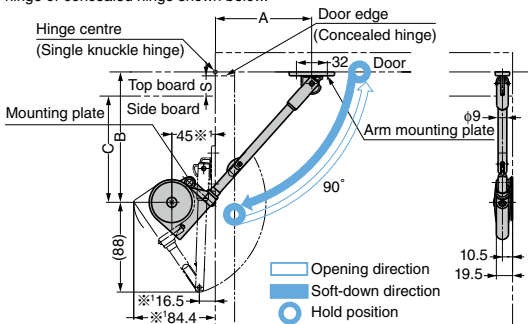
[Maximum Door Moment]

- With 1 stay
Maximum door moment = 3.92-6.86 N · m
- With 2 stays, the maximum door moment will be doubled.
Maximum door moment (N · m) = Door weight (kg) × 9.80665 × Distance from rotation centre to door centre of gravity (m)
- Custom-made products (small door moment type) also available.



[Installation] Right side installation for upward-opening 90°. Left side installation is symmetrical.

Comes down slowly and softly in closing direction. Installation with piano/butt hinge or concealed hinge shown below.



[Body]

| RoHS | CAD | Item Code | Item Name | Material | Finish/Colour | Maximum Door Moment N · m/pc | Maximum Door Moment kgf · cm/pc | Weight (g) | Box (pcs) | Carton (pcs) |
|------|-----|-------------|-------------|-----------|---------------|------------------------------|---------------------------------|------------|-----------|--------------|
| CE | SD | 180-012-151 | SDS-C301NW | ABS/Steel | Nickel/White | 3.92-6.86 | 40-70 | 165 | 20 | 100 |
| CE | SD | 180-100-284 | SDS-C301NG | ABS/Steel | Nickel/Grey | | | | 20 | 100 |
| CE | SD | 180-100-285 | SDS-C301NBL | ABS/Steel | Nickel/Black | | | | 20 | 100 |

[SDS Face Plate and Spacer for Glass Door] Sold Separately 2

| RoHS | CAD | Item Code | Item Name | Material | Finish/Colour | Weight (g) | Box (pcs) | Carton (pcs) |
|------|-----|-------------|------------|----------------------|---------------------------|------------|-----------|--------------|
| CE | SD | 180-100-260 | SDS-50G-CR | Zinc Alloy (ZDC)/ABS | Chrome/Black | 25 | 50 | 200 |
| CE | SD | 180-928-046 | SDS-50G-BL | | Black Enamel Finish/Black | | 50 | 200 |

Refer to 1 : P.293, 2 : P.369

| Opening Direction | Description | Non-handed | Maximum Door Moment |
|-------------------|-------------|------------|--|
| Upward-opening | With Catch | Yes | 3.92-6.86 N · m/pc (40-70 kgf · cm/pc) |

- For upward-opening doors.
- Non-handed: Can be installed either on left or right side.
- Designed to hold the door in fully opened and closed position.
- Use butt hinge or concealed hinge for door hinge. (In case of wooden door or metal door)

[Specifications]

- Operating temperature: 0°C-40°C

[Remarks]

- Be sure to read the "Cautions" 1.
- Do not push the door up more than opening angle. Also do not forcibly press the door down when closing.

[Parts Included]

- Mounting plate SDS-A
- Countersunk head tapping screw 3.5×14

[Sold Separately]

- Concealed hinge OLYMPIA 360-26-19T

Video Link



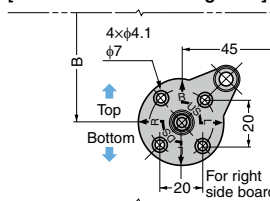
Selection Tool



Sasuga-kun

| No. | Part Name | Material | Finish/Colour |
|-----|--------------------|--------------|--------------------|
| ① | Body | ABS | White, Grey, Black |
| ② | Arm | Steel (SPCC) | Nickel |
| ③ | Arm Mounting Plate | | |
| ④ | Mounting plate | | |

[Installation for Mounting Plate]



For right side board, install with the "→" mark of R at US side directly upwards. For left side board, install with the "→" mark of L at US side directly upwards.

| Overlay | Hinge Type | A | B | C |
|--------------|----------------------------|-------|--------|-------|
| Full Overlay | Single Knuckle Hinge | 100 | 135 | - |
| Full Overlay | Concealed Hinge 360-26-19T | 108 | - | 143-S |
| Inset | Single Knuckle Hinge | 97**2 | 132**2 | - |

**2 In case of the door thickness is 20 mm.

- S is overlay at hinge side.
- Installation dimensions vary depending on hinge type. Reference point of installation dimensions (A, B, C): hinge centre for piano/butt hinge, while door edge for concealed hinge.
- **1 Reference point of **1 marked dimensions is the back side of door.