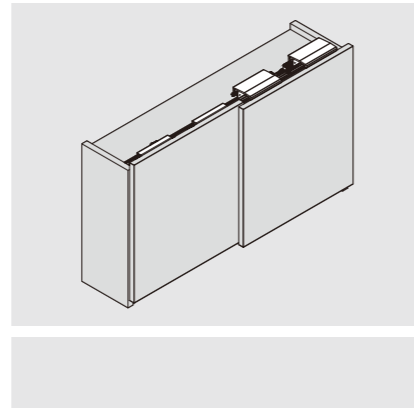


PRODUCT



DESCRIPTION

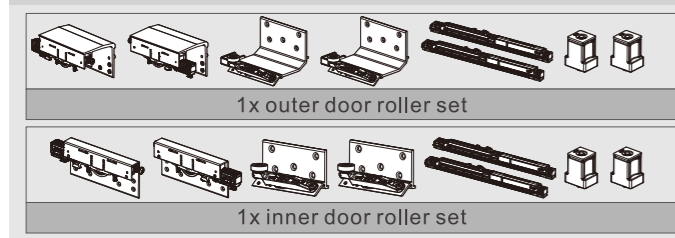
- Gentle and smooth door opening and closing thanks to patented damper design
- Effective catching mechanism prevents door disengagement
- Unique locking mechanism prevents accidental door drop-off
- Sufficient door height adjustment, convenient installation
- Door thickness application: 23mm,30mm,35mm,50mm



GT SERIES REGULAR-TYPE, SOFT-CLOSE, RUNNING ON TOP PANEL

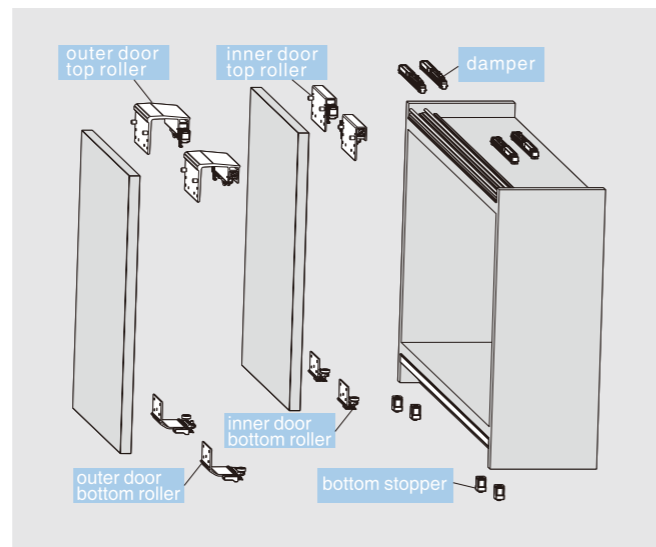
Kit Package							
Door thickness	Door Weight (KG)	Item No.	Set/ctn	Door thickness	Door Weight (KG)	Item No.	Set/ctn
23mm	5~15	GT23HA	6	30mm	5~15	GT30HA	6
	15~30	GT23HB	6		15~30	GT30HB	6
	30~50	GT23HC	6		30~50	GT30HC	6
	50~80	GT23HD	6		50~80	GT30HD	6
35mm	5~15	GT35HA	6	50mm	5~15	GT50HA	6
	15~30	GT35HB	6		15~30	GT50HB	6
	30~50	GT35HC	6		30~50	GT50HC	6
	50~80	GT35HD	6		50~80	GT50HD	6

GT kit package includes:



Inner door roller set/industrial package			
Door Weight (KG)	Item No.	Set/ctn	
5~15	GT31A	20	
15~30	GT31B	20	
30~50	GT31C	20	
50~80	GT31D	20	

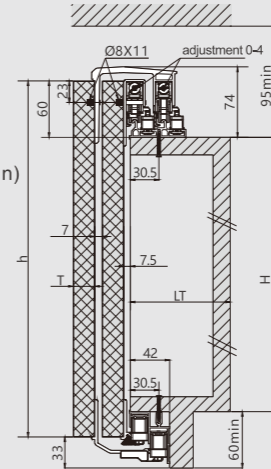
Outer door roller set/industrial package			
Door thickness	Door Weight (KG)	Item No.	Set/ctn
23mm	5~15	GT11A	10
	15~30	GT11B	10
	30~50	GT11C	10
	50~80	GT12D	10
30mm	5~15	GT12A	10
	15~30	GT12B	10
	30~50	GT12C	10
	50~80	GT12D	10
35mm	5~15	GT13A	10
	15~30	GT13B	10
	30~50	GT13C	10
	50~80	GT13D	10
50mm	5~15	GT14A	10
	15~30	GT14B	10
	30~50	GT14C	10
	50~80	GT14D	10



PLANNING

Sliding Door Installation Dimensions(mm)

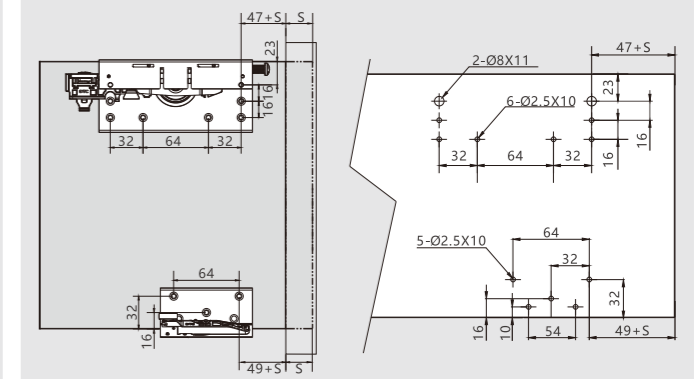
H=height from wardrobe top panel to bottom panel
 h=door height
 LT=wardrobe internal depth
 T=door thickness
 Wardrobe internal depth: LT=60(min)
 Door height:h=H+87
 Door thickness:T=23/30/35/50



The distance from top panel to ceiling is 95 at least

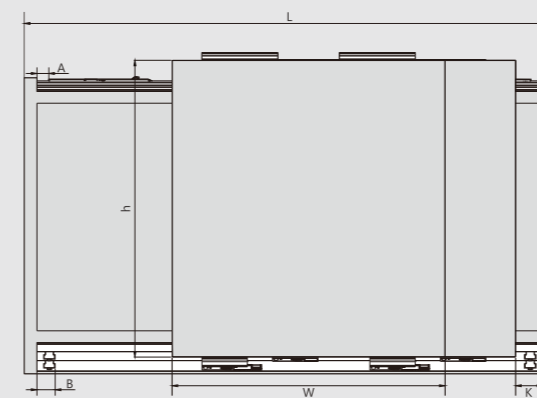
Sliding Door Installation Dimensions(mm)

S=door overlay



Sliding Door Installation Dimensions(mm)

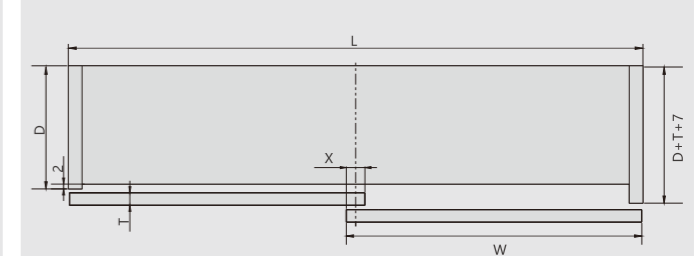
A=damper installation dimension A=8
 B=bottom stopper installation dimension B=36



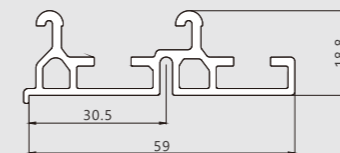
Door self closing distance K=50

Sliding Door Installation Dimensions(mm)

W=door width Door Width: $W=L/2+(X/2)$
 L=wardrobe external width



Top Track Installation Dimensions(mm)



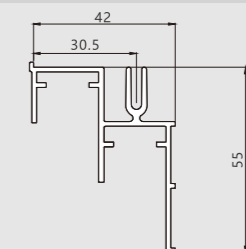
Top Track / Industrial package

Silver white(F98)

Item No.	Pcs/ctn
GTDG01	10

Length:6 meters

Bottom Track Installation Dimensions(mm)



Bottom Track / Industrial package

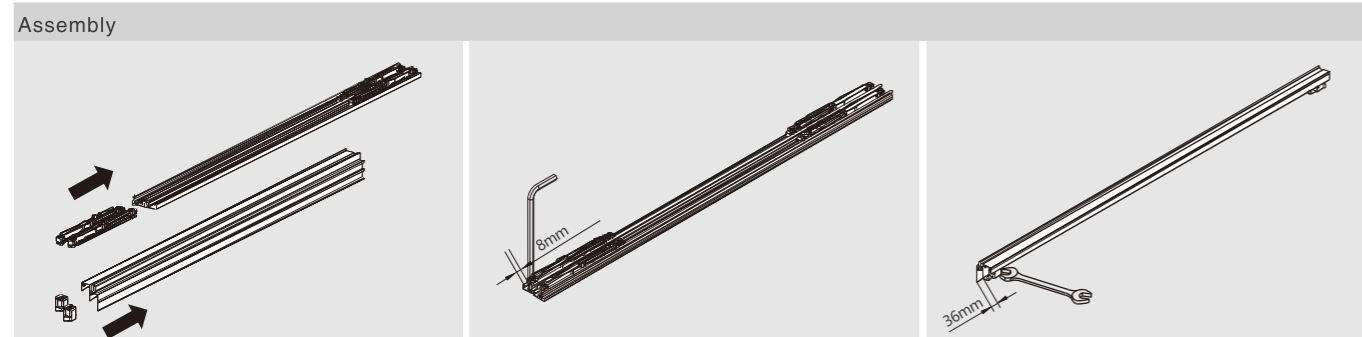
Silver white(F98)

Item No.	Pcs/ctn
GTDG02	10

Length:6 meters

ASSEMBLY AND ADJUSTMENT

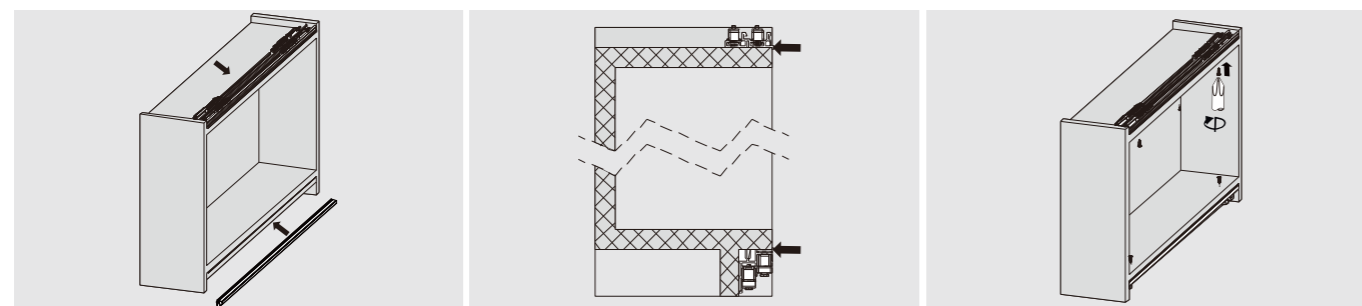
Assembly And Adjustment (For GT Series Regular-type Soft-close Top-running Sliding Door System)



Insert the damper into top track
Insert the bottom stopper into bottom track

Fix the damper with 3mm allen key

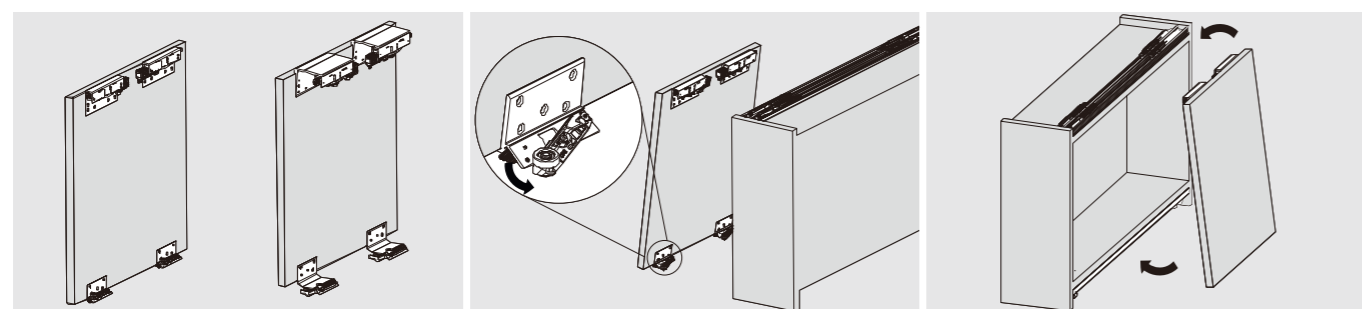
Fix the bottom stopper with 8mm spanner



Install the top and bottom tracks

Flush the tracks with the outer surface of the top and bottom panels

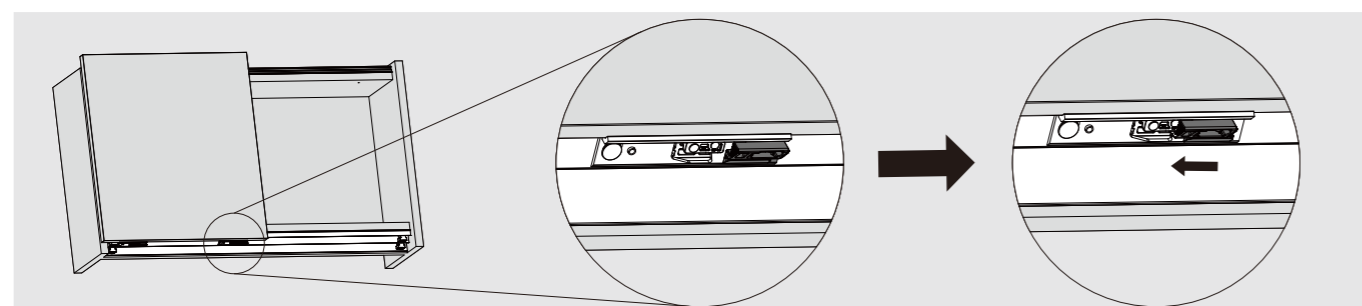
Fix the screw



Install top and bottom rollers onto outer and inner doors

Disengage the locking device on bottom roller before mounting the inner door

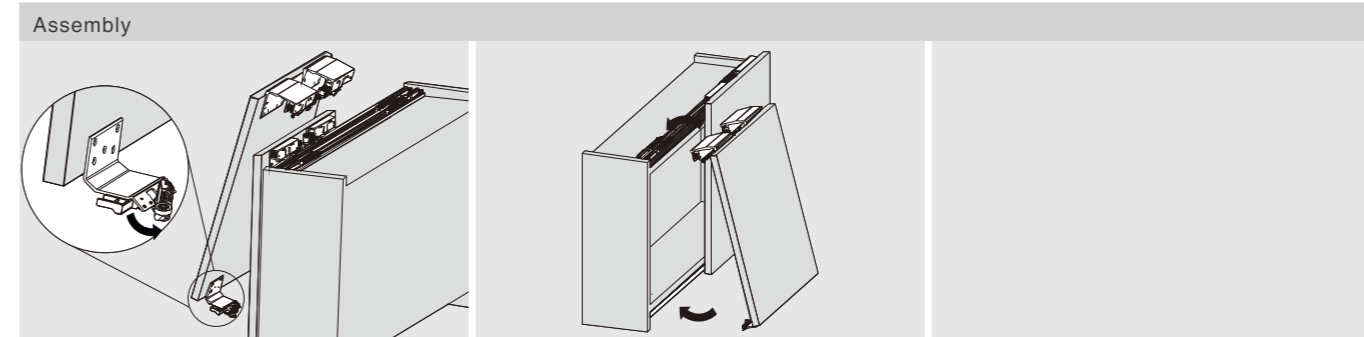
Mount the inner door



Engage the locking device on bottom roller after mounting the inner door on wardrobe

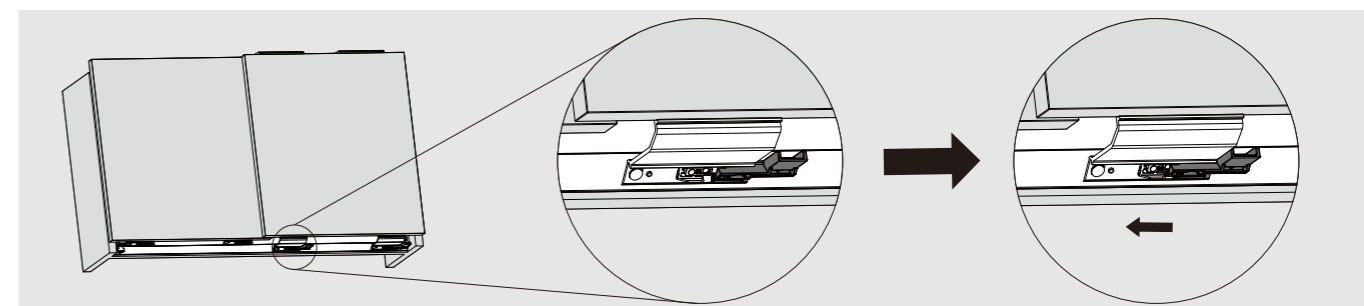
"Disengaged position" of locking device on bottom roller

"Engaged position" of locking device on bottom roller



Disengage the locking device on bottom roller before mounting the outer door

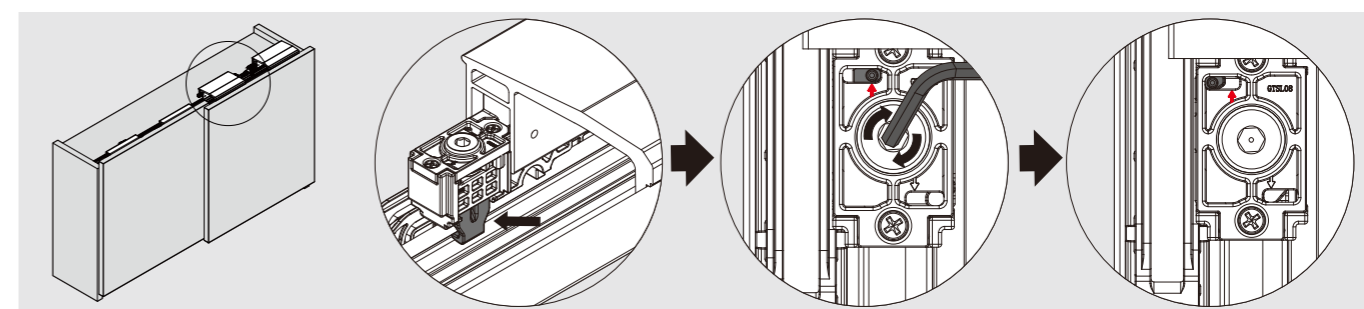
Mount the outer door



Engage the locking device on bottom roller before mounting the outer door

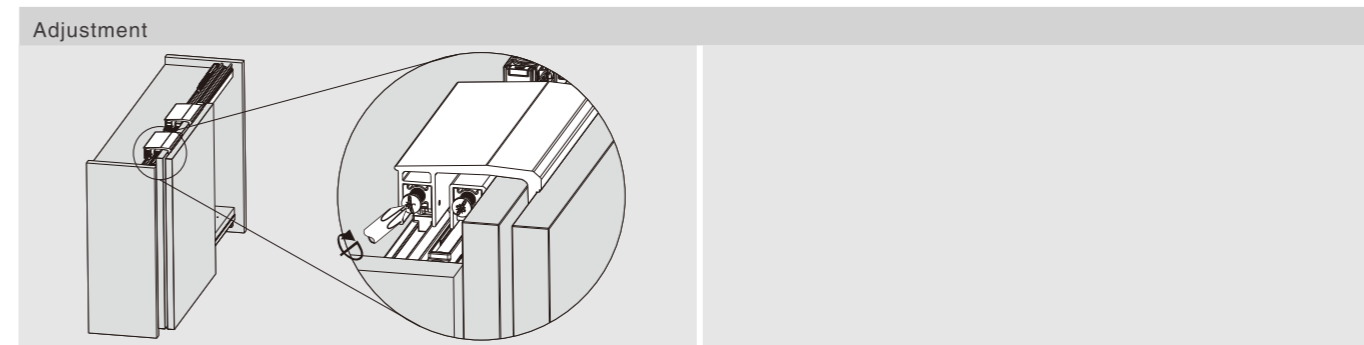
"Disengaged position" of locking device on bottom roller

"Engaged position" of locking device on bottom roller



Engage the locking device on top rollers of outer and inner door

Turn the screw clockwise with a 3mm allen key to engage the locking devices on the top rollers of the outer and inner doors



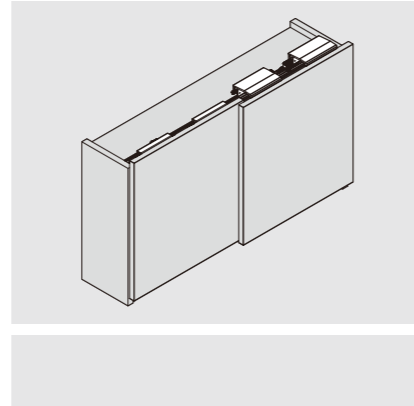
Level the outer and inner doors

PRODUCT



DESCRIPTION

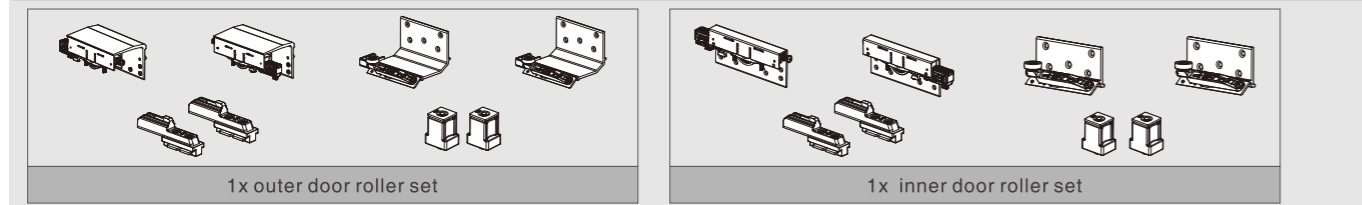
- Unique locking mechanism prevents accidental door drop-off
- Sufficient door height adjustment, convenient installation
- Door thickness application: 23mm,30mm,35mm,50mm



GT SERIES REGULAR-TYPE, NON-SOFT-CLOSE TOP-RUNNING SLIDING DOOR

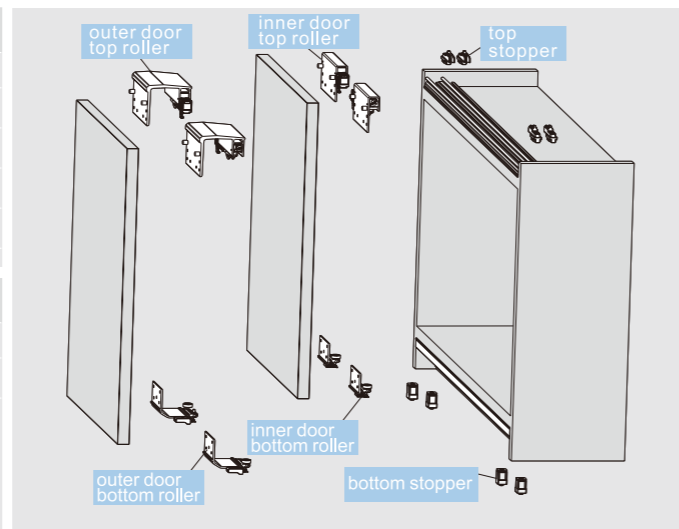
Kit Package			
Door Weight(KG)	Item No.	Set/ctn	
23mm	GT23W	6	
30mm	GT30W	6	
35mm	GT35W	6	
50mm	GT50W	6	

GT kit package includes:



1 Outer door roller set/industrial package			
Door thickness	Item No.	Set/ctn	
23mm	GT01	10	
30mm	GT02	10	
35mm	GT03	10	
50mm	GT04	10	

2 Inner door roller set/industrial package			
Item No.	Set/ctn		
GT21	20		



PLANNING

Sliding Door Installation Dimensions(mm)

H=height from wardrobe top panel to bottom panel
 h=door height
 LT=wardrobe internal depth
 T=door thickness
 Wardrobe internal depth: LT=60(min)
 Door height:h=H+87
 Door thickness:T=23/30/35/50

The distance from top panel to ceiling is 95 at least

Sliding Door Installation Dimensions(mm)

S=door overlay

Sliding Door Installation Dimensions(mm)

A=upper stopper installation dimensions A=106
 B=bottom stopper installation dimension B=36

Door self closing distance K=50

Sliding Door Installation Dimensions(mm)

W=door width
 L=wardrobe external width
 Door Width: $W=L/2+(X/2)$

Top Track Installation Dimensions(mm)

Top Track / Industrial package	
Item No.	Pcs/ctn
GTDG01	10

Silver white(F98)
 Length:6 meters

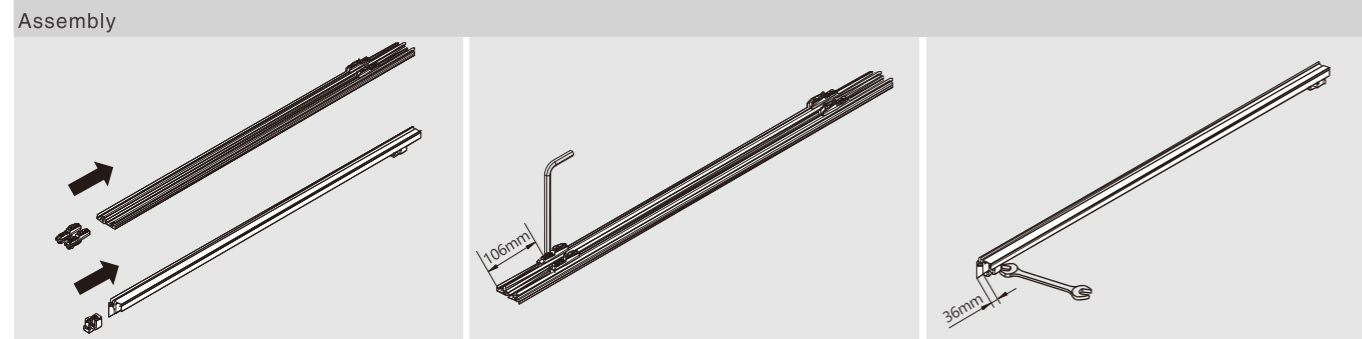
Bottom Track Installation Dimensions(mm)

Bottom Track / Industrial package	
Item No.	Pcs/ctn
GTDG02	10

Silver white(F98)
 Length:6 meters

ASSEMBLY AND ADJUSTMENT

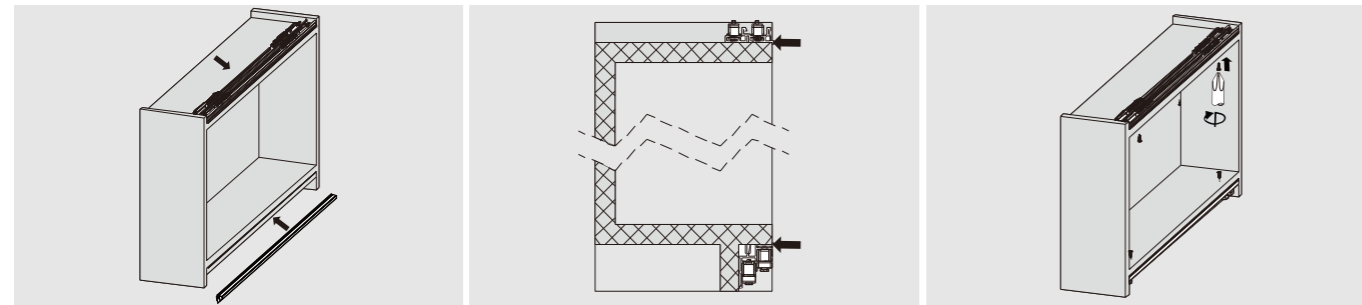
Assembly And Adjustment (For GT Series Regular-type Non-soft-close Top-running Sliding Door System)



Insert the upper stopper into top track
Insert the bottom stopper into bottom track

Fix the top stopper with a 3mm allen key

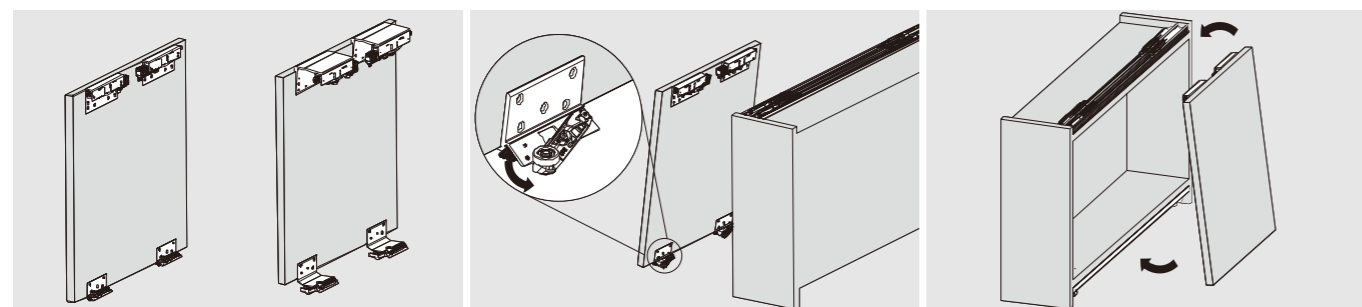
Fix the bottom stopper with an 8mm spanner



Install the top and bottom tracks

Flush the tracks with the outer surface of the top and bottom panels

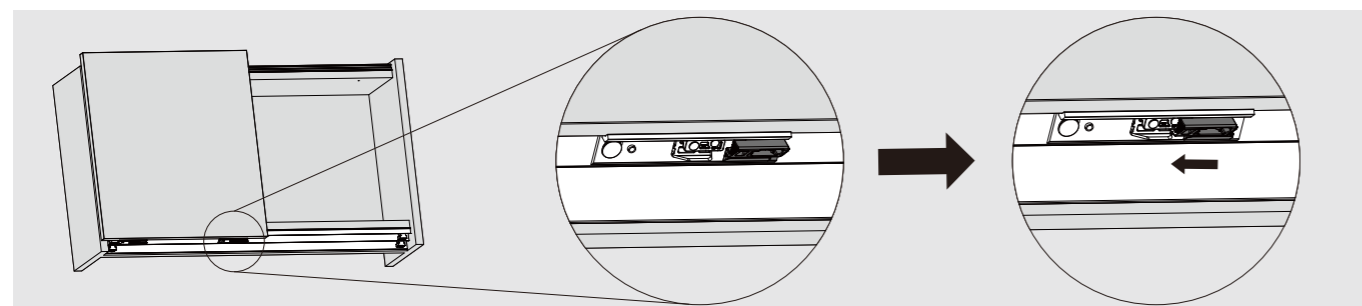
Fix the screw



Install top and bottom rollers onto outer and inner doors

Disengage the locking device on bottom roller before mounting the inner door

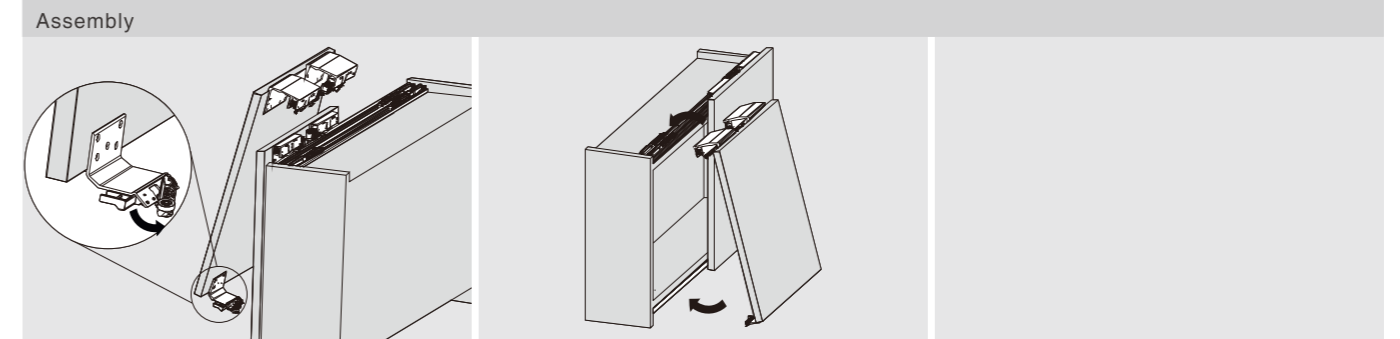
Mount the inner door



Engage the locking device on bottom roller after mounting the inner door on wardrobe

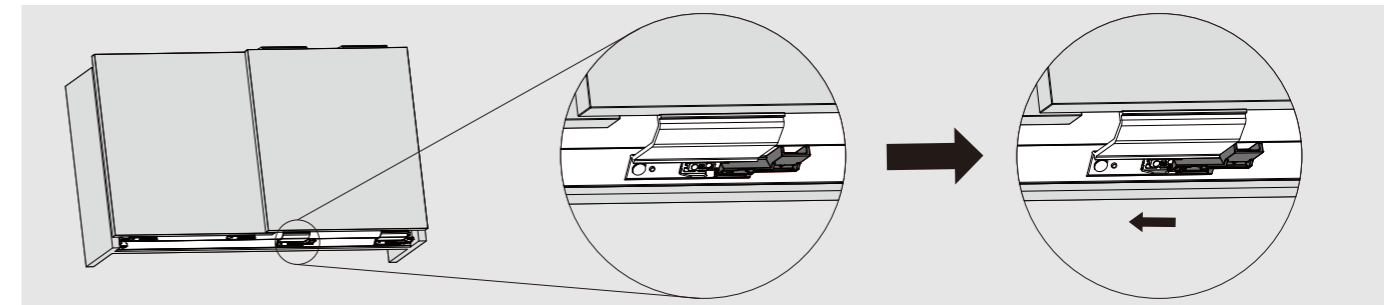
"Disengaged position" of locking device on bottom roller

"Engaged position" of locking device on bottom roller



Disengage the locking device on bottom roller before mounting the outer door

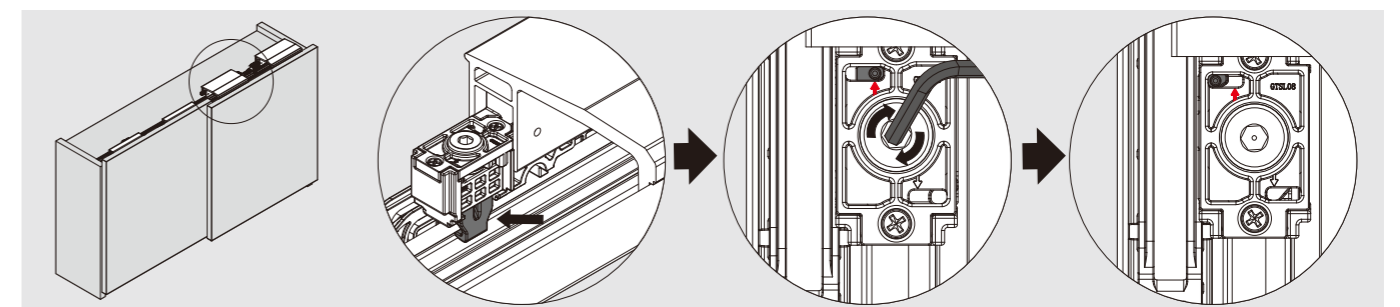
Mount the outer door



Engage the locking device on bottom roller before mounting the outer door

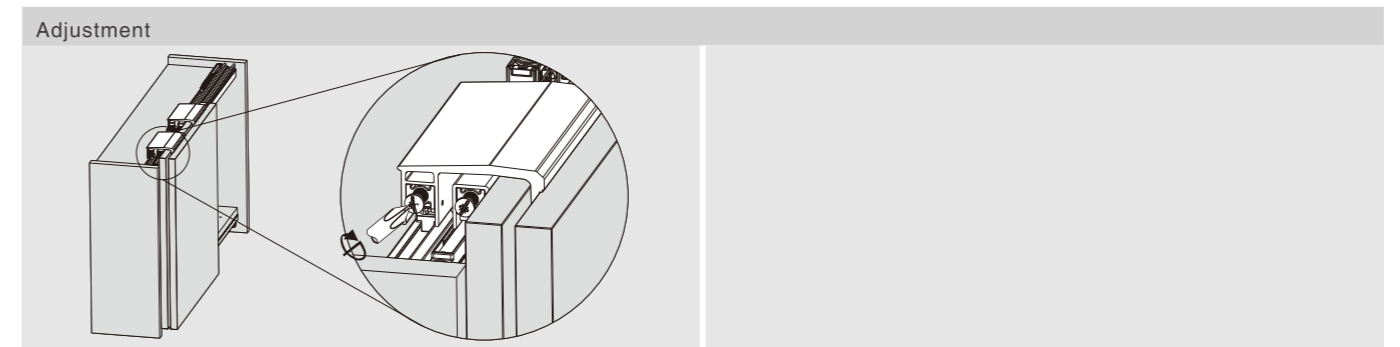
"Disengaged position" of locking device on bottom roller

"Engaged position" of locking device on bottom roller



Engage the locking device on top rollers of outer and inner door

Turn the screw clockwise with a 3mm allen key to engage the locking devices on the top rollers of the outer and inner doors



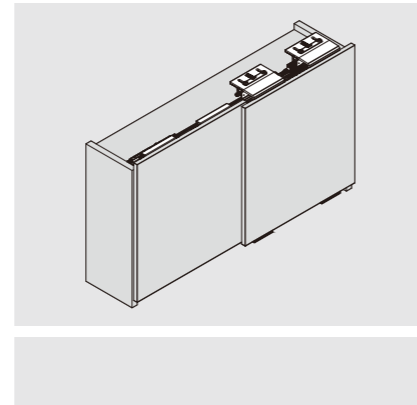
Level the outer and inner doors

PRODUCT



DESCRIPTION

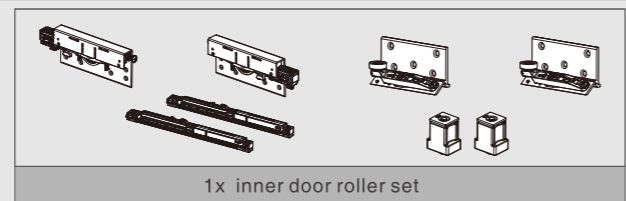
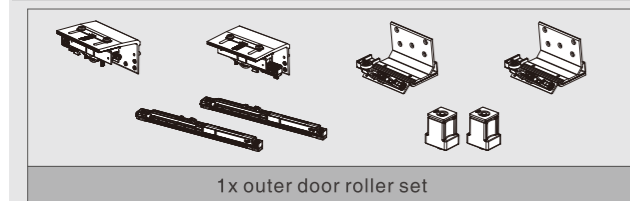
- Gentle and smooth door opening and closing thanks to patented damper design
- Effective catching mechanism prevents door disengagement
- Unique locking mechanism prevents accidental door drop-off
- Sufficient door height adjustment, convenient installation
- Door thickness application: 18~50mm



GT SERIES ADJUSTABLE-TYPE, SOFT-CLOSE, RUNNING ON TOP PANEL

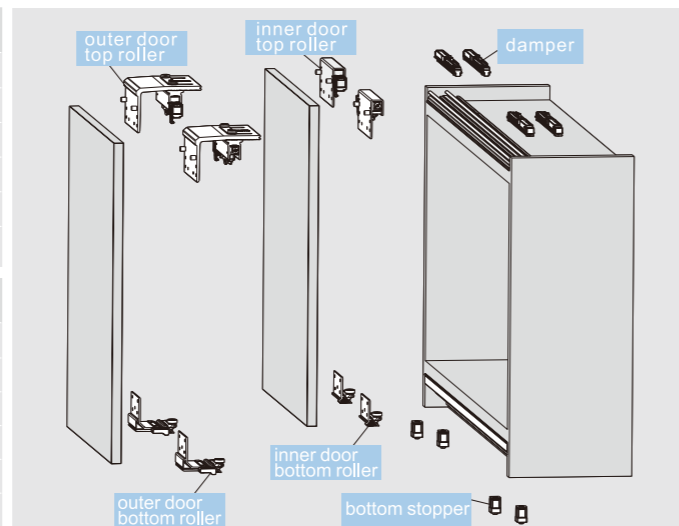
Kit Package			
Door thickness	Door Weight (KG)	Item No.	Set/ctn
18-50(mm)	5-15	GT1850HA	6
	15-30	GT1850HB	6
	30-50	GT1850HC	6
	50-80	GT1850HD	6

GT kit package includes:



1 Outer door roller set/ industrial package			
Door thickness	Item No.	Set/ctn	
5-15	GT51A	10	
15-30	GT51B	10	
30-50	GT51C	10	
50-80	GT51D	10	

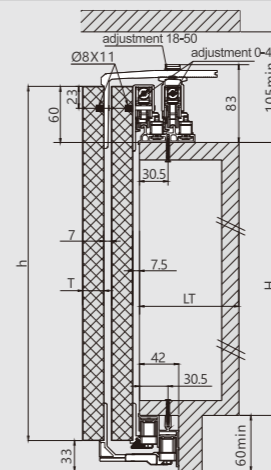
2 Inner door roller set/ industrial package			
Door thickness	Item No.	Set/ctn	
5-15	GT31A	20	
15-30	GT31B	20	
30-50	GT31C	20	
50-80	GT31D	20	



PLANNING

Sliding Door Installation Dimensions(mm)

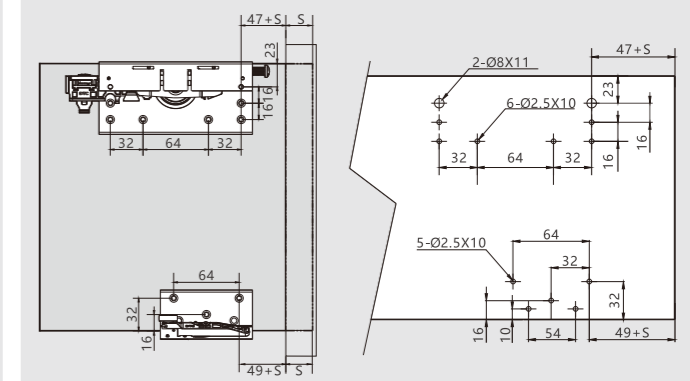
H=height from wardrobe top panel to bottom panel
 h=door height
 LT=wardrobe internal depth
 T=door thickness
 Wardrobe internal depth: LT=135(min)
 Door height:h=H+87
 Door thickness:T=18~50



The distance from top panel to ceiling is 105 at least

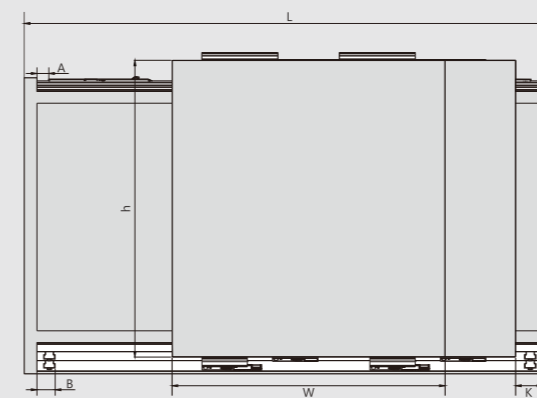
Sliding Door Installation Dimensions(mm)

S=door overlay



Sliding Door Installation Dimensions(mm)

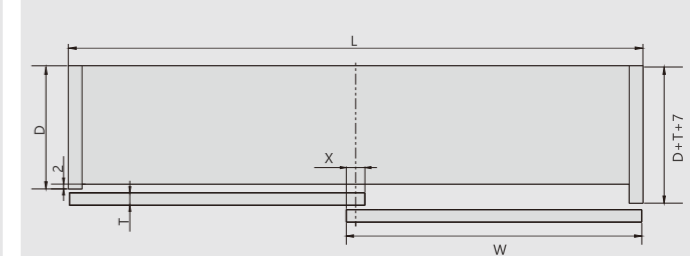
A=damper installation dimension A=8
 B=bottom stopper installation dimension B=36



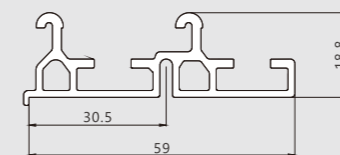
Door self closing distance K=50

Sliding Door Installation Dimensions(mm)

W=door width Door Width: W=L/2+(X/2)
 L=wardrobe external width



Top Track Installation Dimensions(mm)



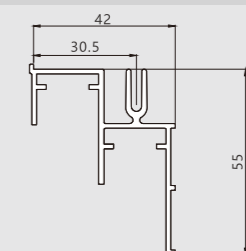
Top Track / Industrial package

Silver white(F98)

Item No.	Pcs/ctn
GTDG01	10

Length:6 meters

Bottom Track Installation Dimensions(mm)



Bottom Track / Industrial package

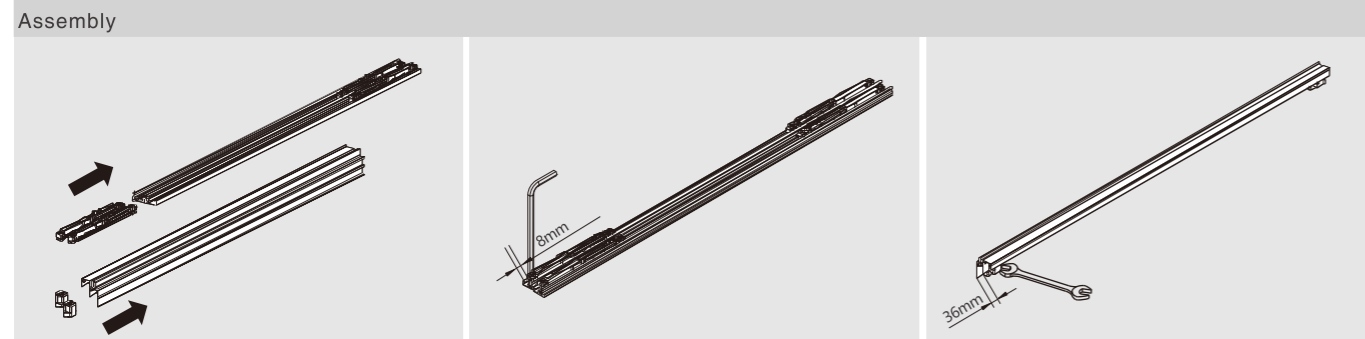
Silver white(F98)

Item No.	Pcs/ctn
GTDG02	10

Length:6 meters

ASSEMBLY AND ADJUSTMENT

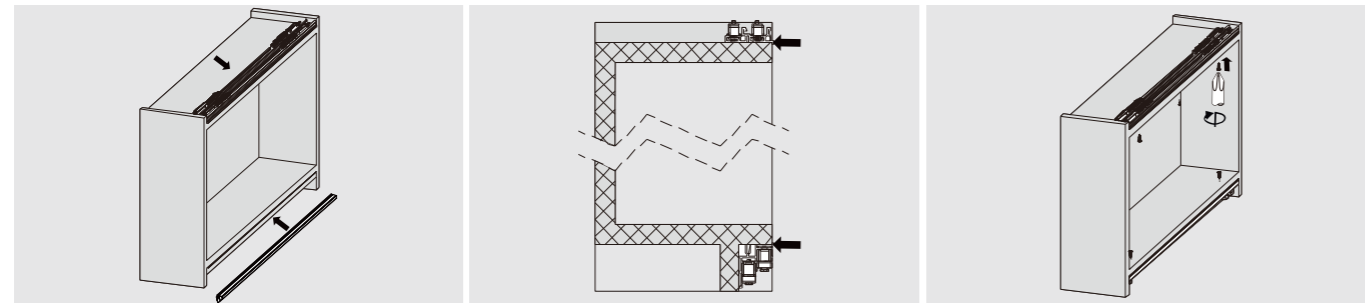
Assembly And Adjustment (For GT Series Adjustable-type Soft-close Top-running Sliding Door System)



Insert the damper into top track
Insert the bottom stopper into bottom track

Fix the damper with 3mm allen key

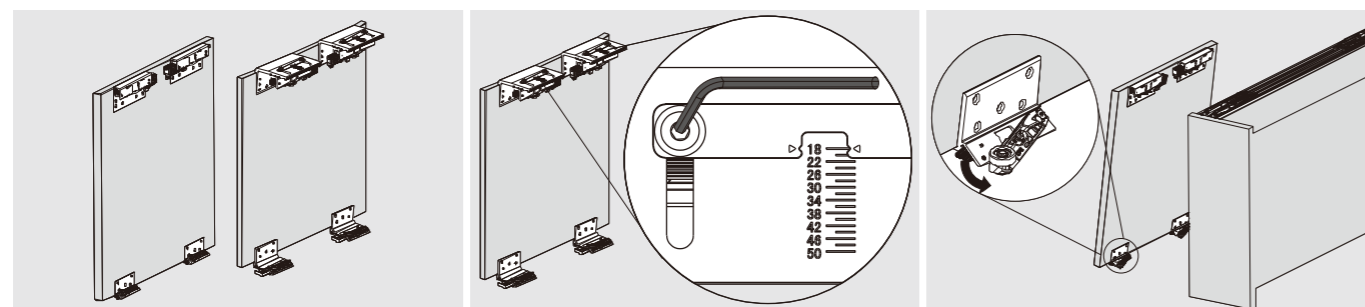
Fix the bottom stopper with 8mm spanner



Install the top and bottom tracks

Flush the tracks with the outer surface of the top and bottom panels

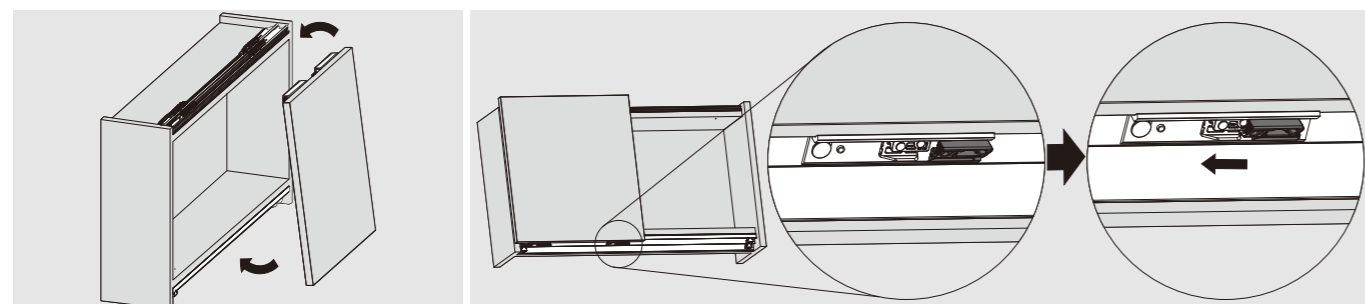
Fix the screw



Install top and bottom rollers onto outer and inner doors

Choose your door thickness

Disengage the locking device on bottom roller before mounting the inner door

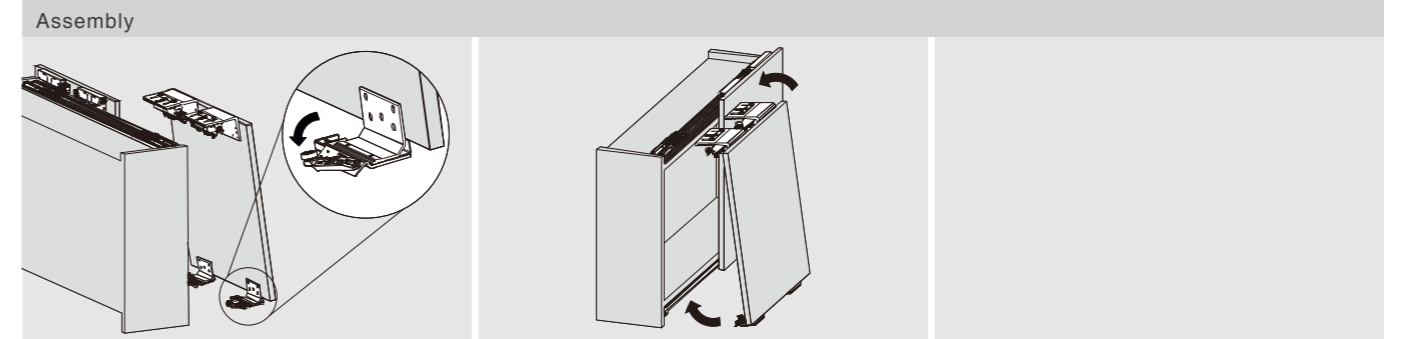


Mount the inner door

Engage the locking device on bottom roller after mounting the inner door on wardrobe

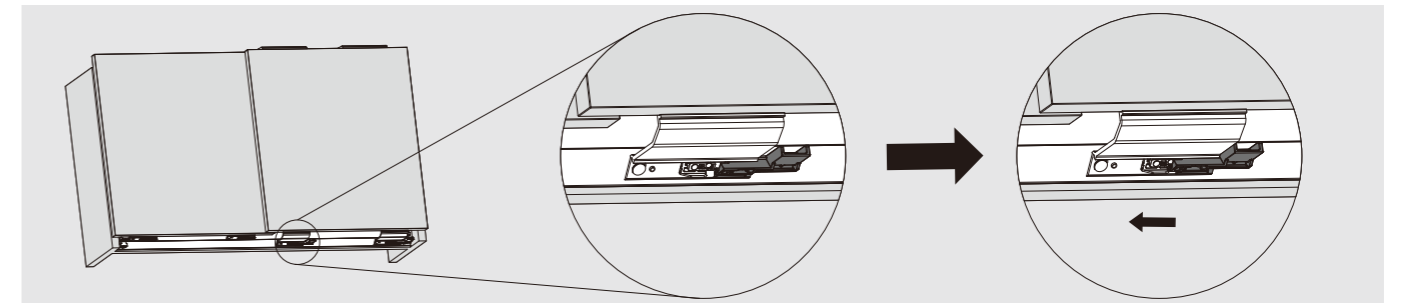
"Disengaged position" of locking device on bottom roller

"Engaged position" of locking device on bottom roller



Disengage the locking device on bottom roller before mounting the outer door

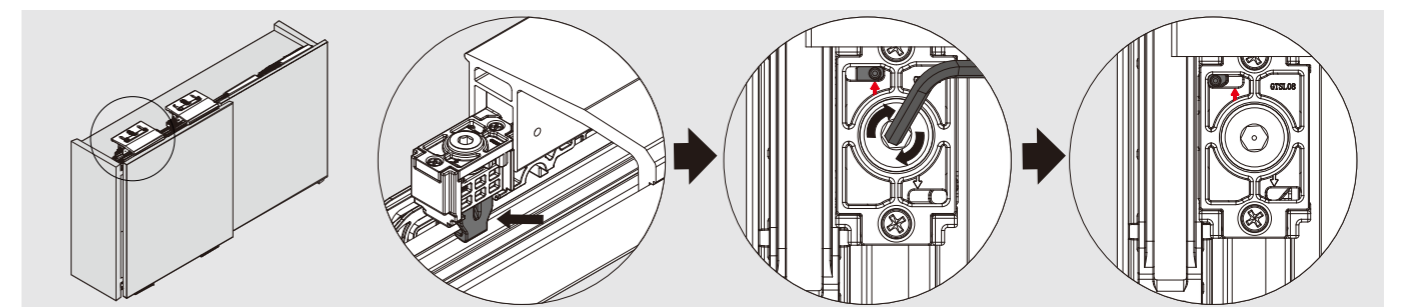
Mount the outer door



Engage the locking device on bottom roller before mounting the outer door

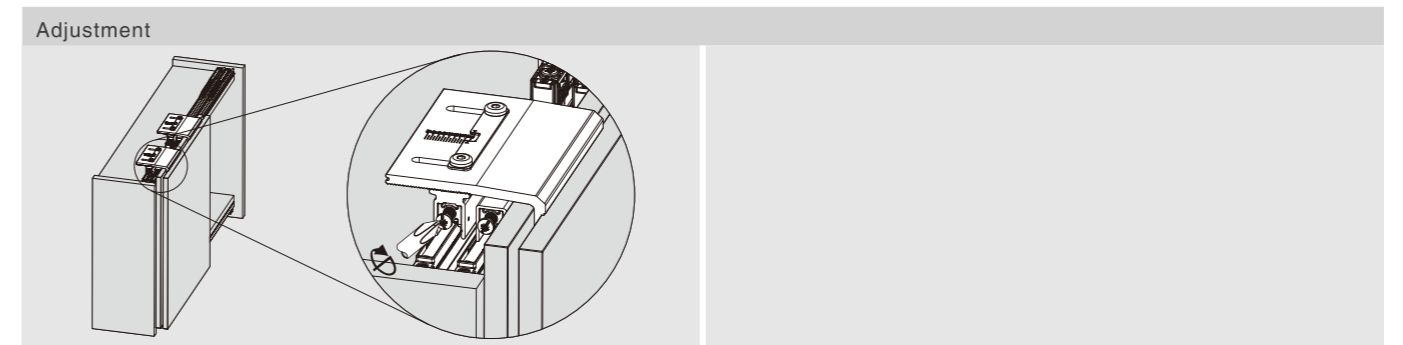
"Disengaged position" of locking device on bottom roller

"Engaged position" of locking device on bottom roller



Engage the locking device on top rollers of outer and inner door

Turn the screw clockwise with a 3mm allen key to engage the locking devices on the top rollers of the outer and inner doors



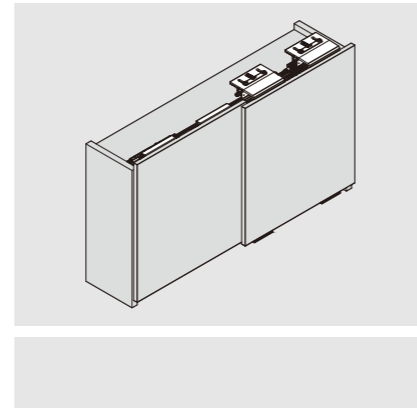
Level the outer and inner doors

PRODUCT



DESCRIPTION

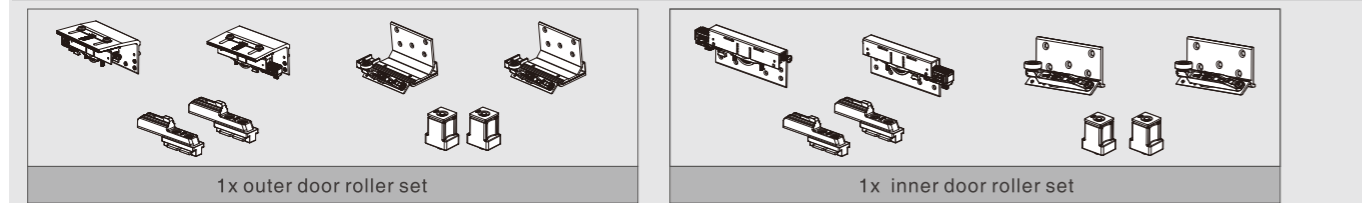
- Unique door anti-drop device, ensure extremity security
- Unique locking mechanism prevents accidental door drop-off
- Door thickness application: 18-50mm



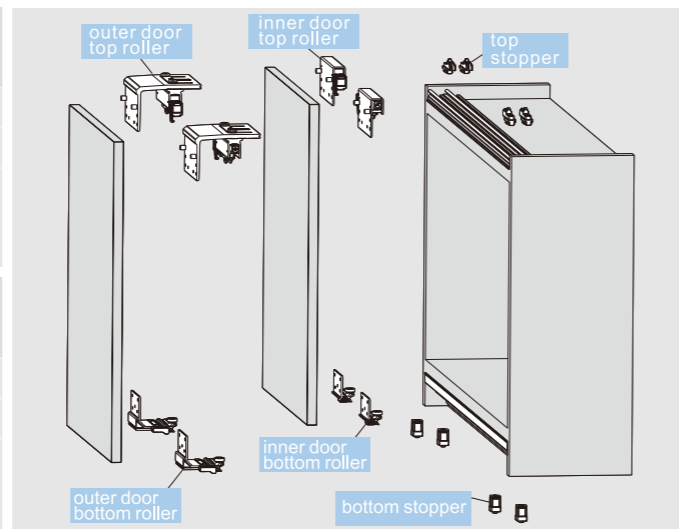
GT SERIES ADJUSTABLE-TYPE, NON-SOFT-CLOSE TOP-RUNNING SLIDING DOOR

Kit Package		
Door thickness	Item No.	Set/ctn
15-50(mm)	GT1850W	6

GT kit package includes:



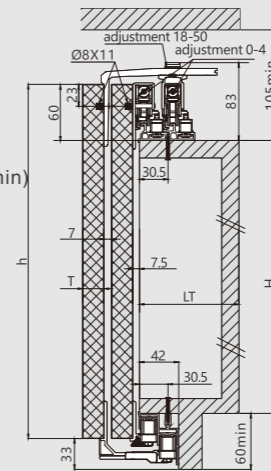
1	Outer door roller set/ industrial package	
	Item No.	Set/ctn
	GT41	10
2	Inner door roller set/ industrial package	
	Item No.	Set/ctn
	GT21	20



PLANNING

Sliding Door Installation Dimensions(mm)

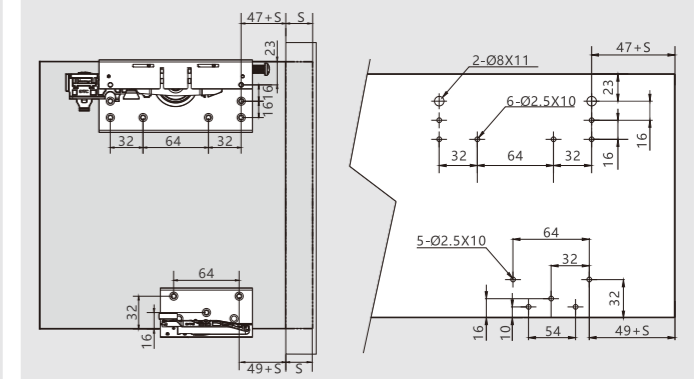
H=height from wardrobe top panel to bottom panel
 h=door height
 LT=wardrobe internal depth
 T=door thickness
 Wardrobe internal depth: LT=135(min)
 Door height:h=H+87
 Door thickness:T=18~50



The distance from top panel to ceiling is 105 at least

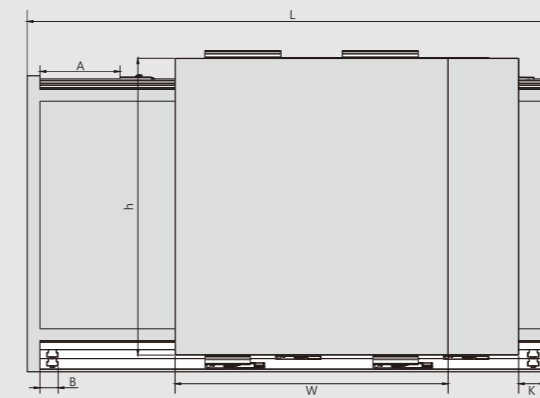
Sliding Door Installation Dimensions(mm)

S=door overlay



Sliding Door Installation Dimensions(mm)

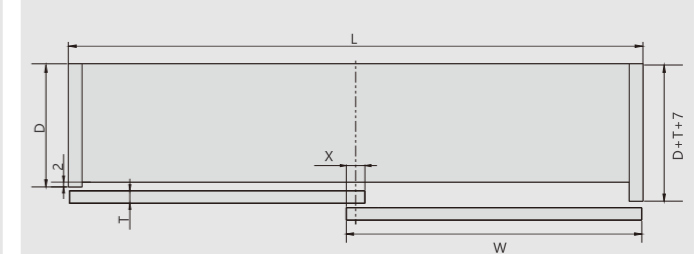
A=damper installation dimension A=106
 B=bottom stopper installation dimension B=36



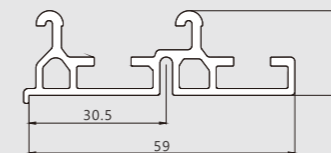
Door self closing distance K=50

Sliding Door Installation Dimensions(mm)

W=door width Door Width: $W=L/2+(X/2)$
 L=wardrobe external width



Top Track Installation Dimensions(mm)



Top Track / Industrial package

Silver white(F98)

Item No.

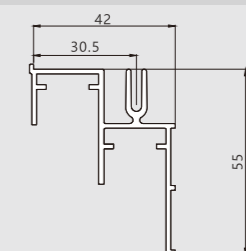
Pcs/ctn

GTDG01

10

Length:6 meters

Bottom Track Installation Dimensions(mm)



Bottom Track / Industrial package

Silver white(F98)

Item No.

Pcs/ctn

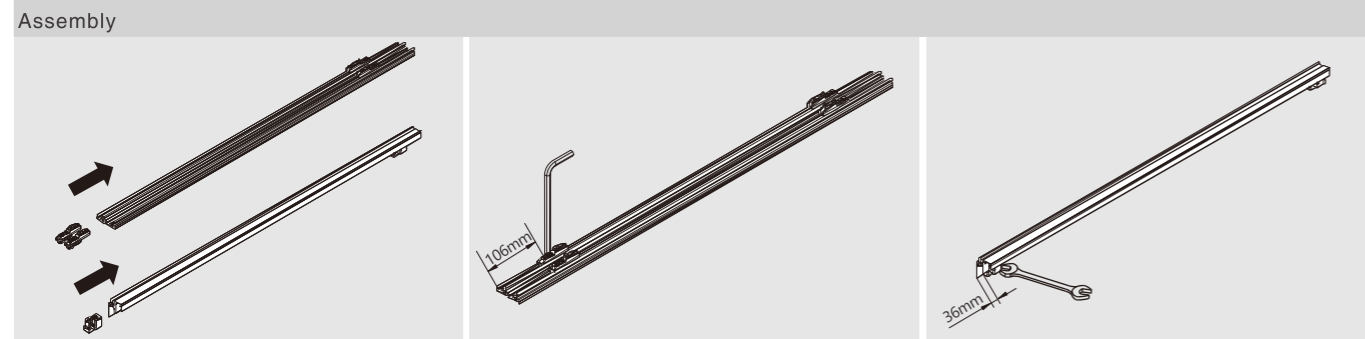
GTDG02

10

Length:6 meters

ASSEMBLY AND ADJUSTMENT

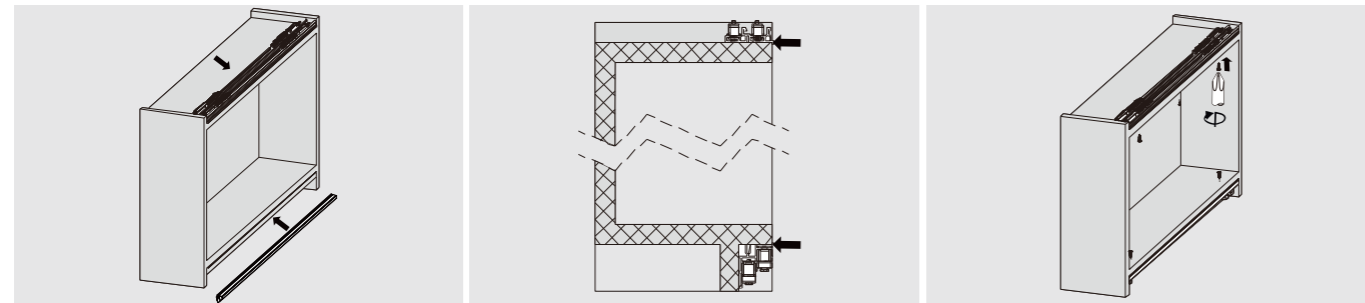
Assembly And Adjustment (For GT Series Adjustable-type Non-soft-close Top-running Sliding Door System)



insert the top stopper into top track
Insert the bottom stopper into bottom track

Fix the top stopper with a 3mm allen key

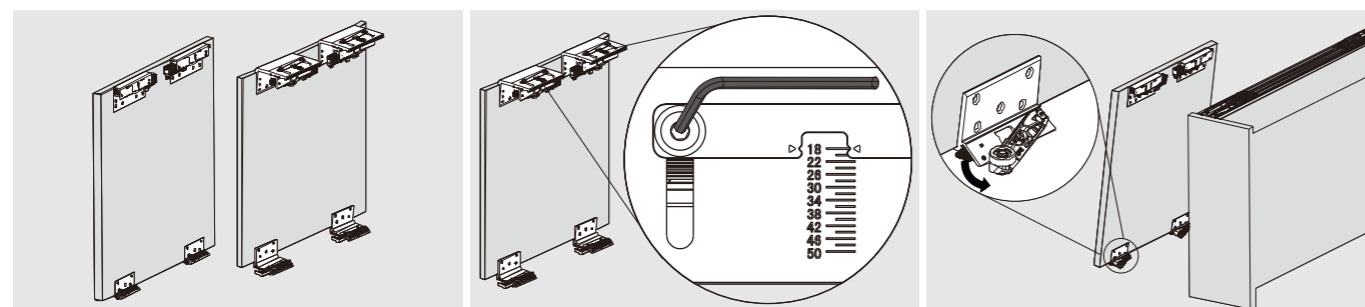
Fix the bottom stopper with an 8mm spanner



Install the top and bottom tracks

Flush the tracks with the outer surface of the top and bottom panels

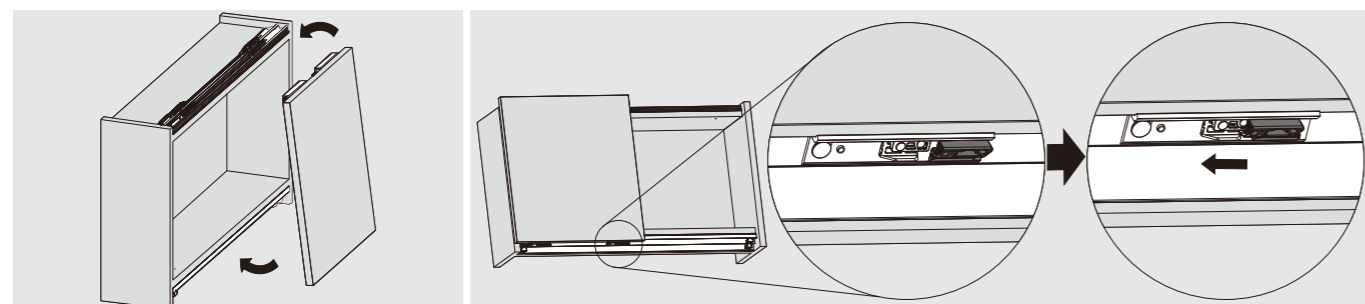
Fix the screw



Install top and bottom rollers onto outer and inner doors

Choose your door thickness

Disengage the locking device on bottom roller before mounting the inner door

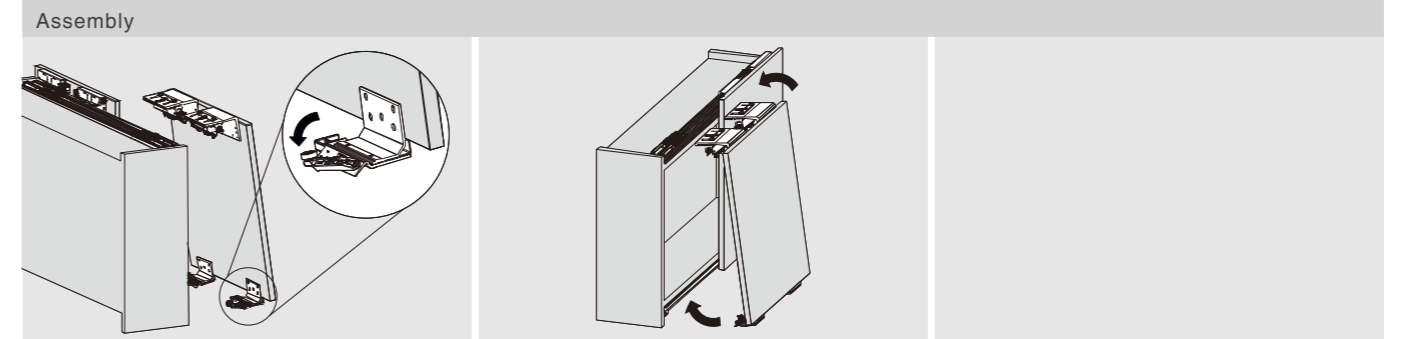


Mount the inner door

Engage the locking device on bottom roller after mounting the inner door on wardrobe

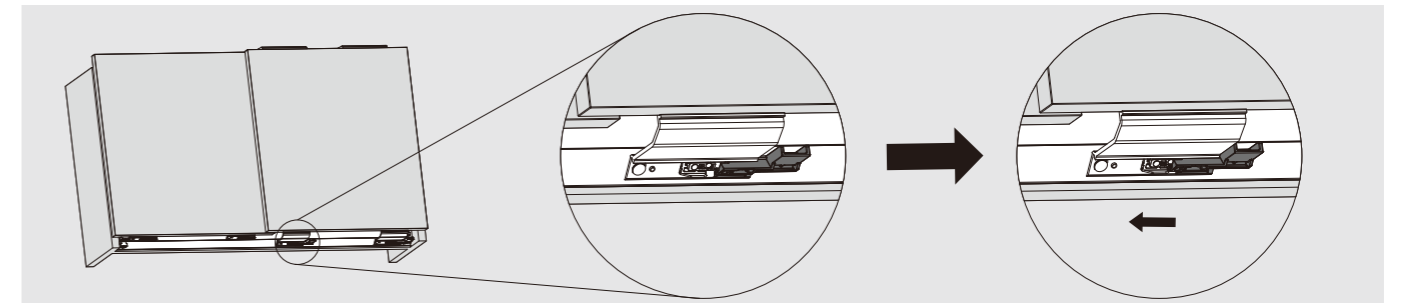
"Disengaged position" of locking device on bottom roller

"Engaged position" of locking device on bottom roller



Disengage the locking device on bottom roller before mounting the outer door

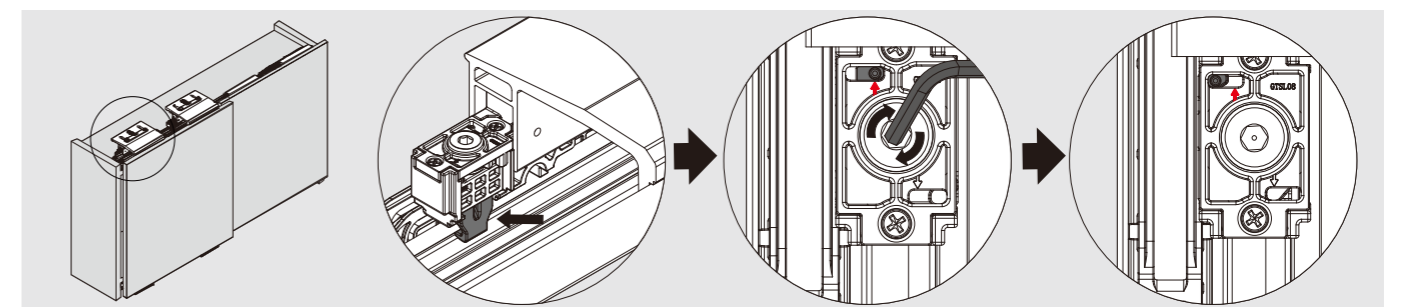
Mount the outer door



Engage the locking device on bottom roller before mounting the outer door

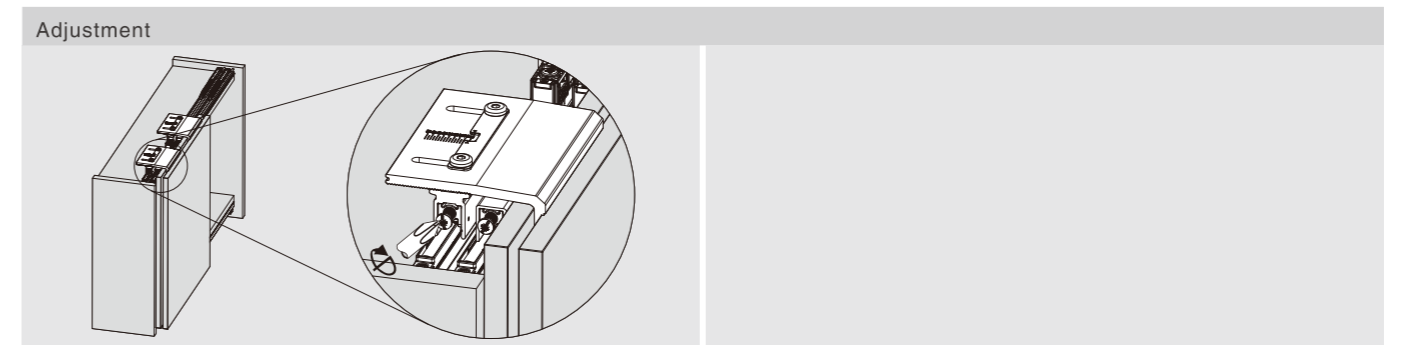
"Disengaged position" of locking device on bottom roller

"Engaged position" of locking device on bottom roller



Engage the locking device on top rollers of outer and inner door

Turn the screw clockwise with a 3mm allen key to engage the locking devices on the top rollers of the outer and inner doors

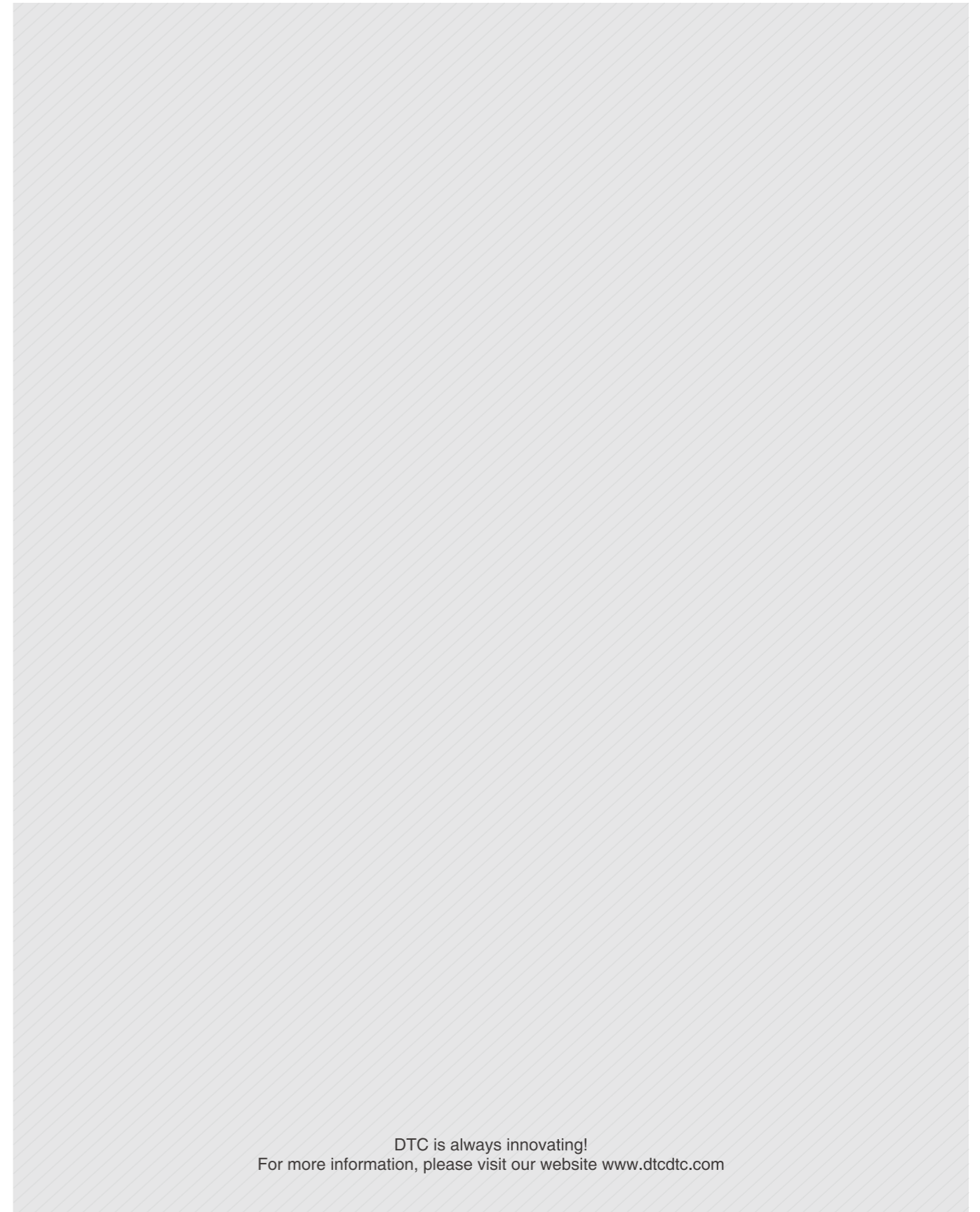


Level the outer and inner doors



ORDER INFORMATION

	Bottom roller / Industrial package		
	Item no.	pcs/ctn	
	0CKDL1	Stainless steel(F04) 100	
	0CKDL2	Zinc Plated(B02) 100	
	Bottom roller / Industrial package		
	Item no.	pcs/ctn	
	0CKDLA1	Stainless steel(F04) 100	
	0CKDLA2	Zinc Plated(B02) 100	
	Bottom roller / Industrial package		
	Item no.	pcs/ctn	
	0CKHL1	Stainless steel(F04) 100	
	0CKHL2	Zinc Plated(B02) 100	
	Top roller / Industrial package		
	Item no.	pcs/ctn	
	0CSTL-E	Zinc Plated(B02) 200	
	Top roller / Industrial package		
	Item no.	pcs/ctn	
	0CSTL-G	Zinc plated(B02) 200	
	Top roller / Industrial package		
	Item no.	pcs/ctn	
	0CSTL-H	Zinc plated(B02) 400	



DTC is always innovating!
For more information, please visit our website www.dtcctc.com