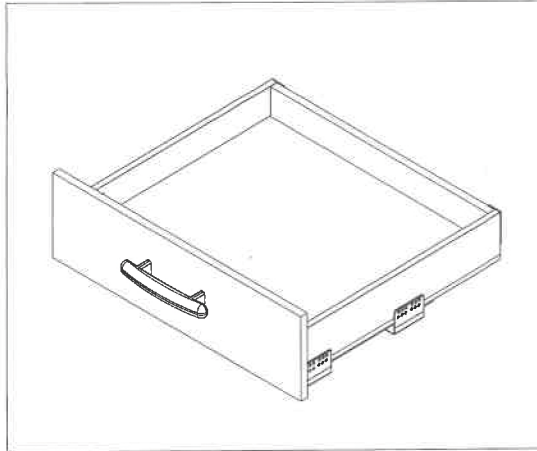


# Silent Drawer System

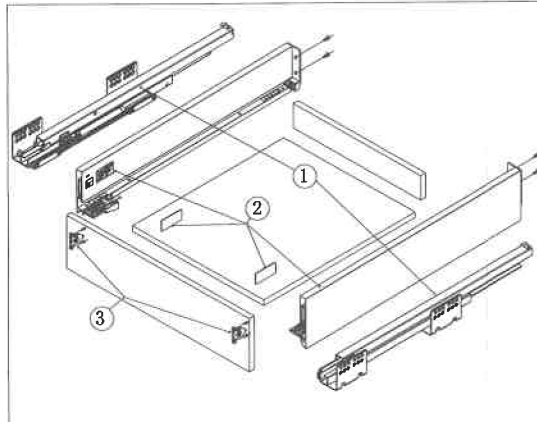
## Modul Box Assembly Instruction



### Special Features:

- Length: 270, 300, 350, 400, 450, 500, 550mm.
- The drawer side-board is 90mm high.
- Drawer width can be designed freely with automatic error adjustment.
- Hidden full pullout silencing sliding skid can bear 30kg and enjoys excellent stability and quite and smooth sliding performance.
- Quick installation and dismantle.
- Newly-designed built-in damper is free from reinstallation and ensures soft and smooth drawer movements.

Basic length	Internally usable drawer depth	Minimum installation depth of drawer	Minimum installation height
270mm	244mm	270mm	122mm
300mm	274mm	300mm	122mm
350mm	324mm	350mm	122mm
400mm	374mm	400mm	122mm
450mm	424mm	450mm	122mm
500mm	474mm	500mm	122mm
550mm	524mm	550mm	122mm

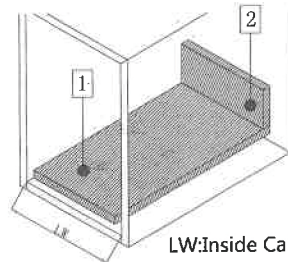


**1. Guide** Left/Right Length: 270mm, 300mm, 350mm, 400mm, 450mm, 500mm, 550mm

**2. Drawer Side & Decorative Cap** Left/Right Length: 270mm, 300mm, 350mm, 400mm, 450mm, 500mm, 550mm

**3. Front connector** Left / Right

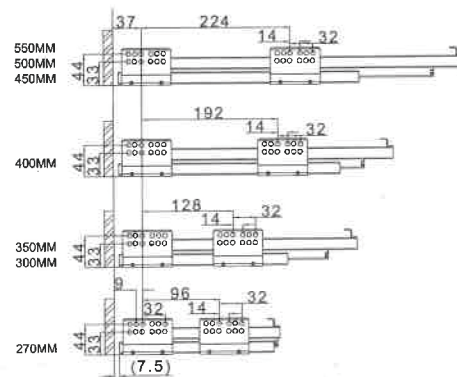
### Technology pivot: Bottom and Back Panel Measurement 16MM Density Panel



LW: Inside Cabinet Width

- Bottom panel width = Inside Cabinet Width - 19 ± 0.5  
Bottom panel length = Runner length - 20MM
- Back panel height = 63MM  
Back panel width = Inside Cabinet Width - 42 ± 0.5

### Runner Installation(mm)



Basic length: 270/300/350/400/450/500/550

