



DOUBLE-WALL DRAWER  
SYSTEMS

MAGIC-STAR PLUS

The Metal Straight-sided Slim Drawer

A Perfect Mix of Function  
and Elegance



- Linear slim drawer sides - a fashion look and elegant appearance
- Perfect connection between components makes a beautiful drawer



Quietness



Intelligence



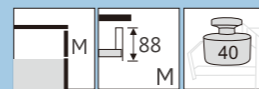
Durability



Eco-Friendliness

# MAGIC-STAR PLUS

## HD11 Series Straight-sided Drawer System (Low Drawer: M Height)



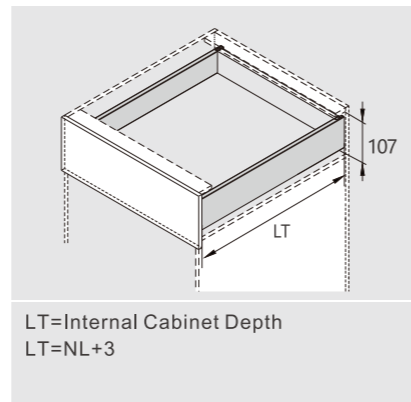
### PRODUCT



### DESCRIPTION

- Concealed, full extension
- Load capacity: 40kg
- Tool free assembly and removal of drawer
- Silent system guarantees smooth run without noise
- 3D adjustment:  
Up & down adjustment: ±2mm  
left & right adjustment: ±1.2mm  
tilt adjustment: +0.5mm, -2.5mm
- Finish: Silk white(E29), Grey matt(E30)

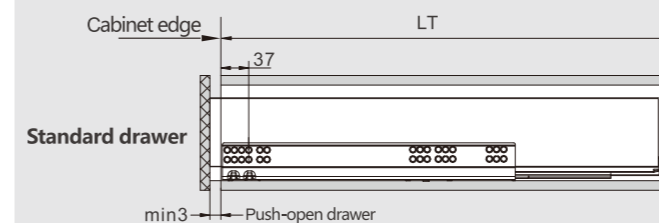
### SPACE REQUIREMENT



### PLANNING

#### Installation Dimensions(mm)

NL=Nominal Slide Length  
LT=Internal Cabinet Depth  
LT=NL+3



#### Cabinet Configuration

Cabinet widths/KB(mm)	Push-open drawer Synchronization rod	
300	○	○ recommended ● strongly recommended
350	○	
400	○	
450	○	
500	○	
600	○	
800	●	
900	●	
1000	●	
1200	●	

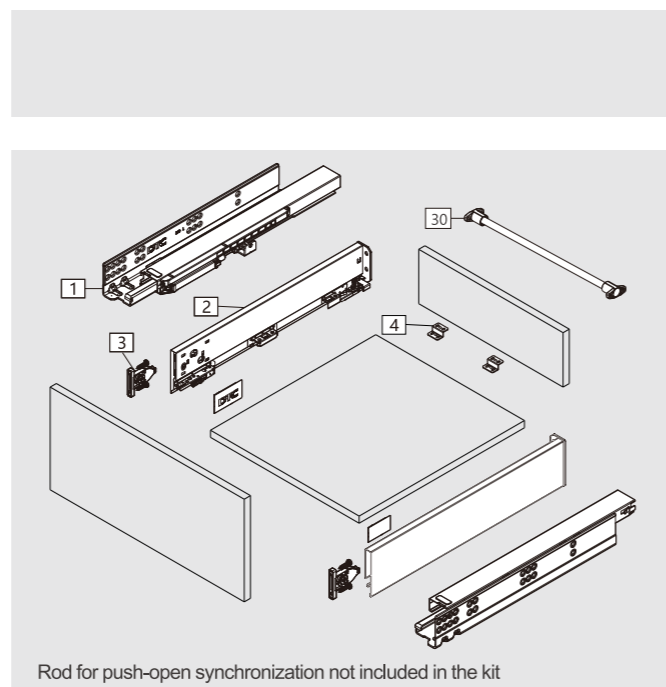
### LOW DRAWER FOR WOOD DRAWER BACK

Kit Package				1 Slides (left/right) /Industrial Package				2 Drawer Sides and Cover Caps (left/right) /Industrial Package			
Silk White(E29)! Grey Matt(E30)!				Pre-zinc Steel(F02)				Silk White(E29)! Grey Matt(E30)!			
NL	Soft Close item No.	Push-open item No.	Set/ctn	NL	Soft Close item No.	Push-open item No.	Set/ctn	NL	Item No.	Set/ctn	
270mm	HD11270A1AX	HD41270A1AX	1	270mm	HD10270H	HD40270H	5	270mm	HE11270AX	5	
300mm	HD11300A1AX	HD41300A1AX	1	300mm	HD10300H	HD40300H	5	300mm	HE11300AX	5	
350mm	HD11350A1AX	HD41350A1AX	1	350mm	HD10350H	HD40350H	5	350mm	HE11350AX	5	
400mm	HD11400A1AX	HD41400A1AX	1	400mm	HD10400H	HD40400H	5	400mm	HE11400AX	5	
450mm	HD11450A1AX	HD41450A1AX	1	450mm	HD10450H	HD40450H	5	450mm	HE11450AX	5	
500mm	HD11500A1AX	HD41500A1AX	1	500mm	HD10500H	HD40500H	5	500mm	HE11500AX	5	
550mm	HD11550A1AX	HD41550A1AX	1	550mm	HD10550H	HD40550H	5	550mm	HE11550AX	5	
600mm	HD11600A1AX	HD41600A1AX	1	600mm	HD10600H	HD40600H	5	600mm	HE11600AX	5	

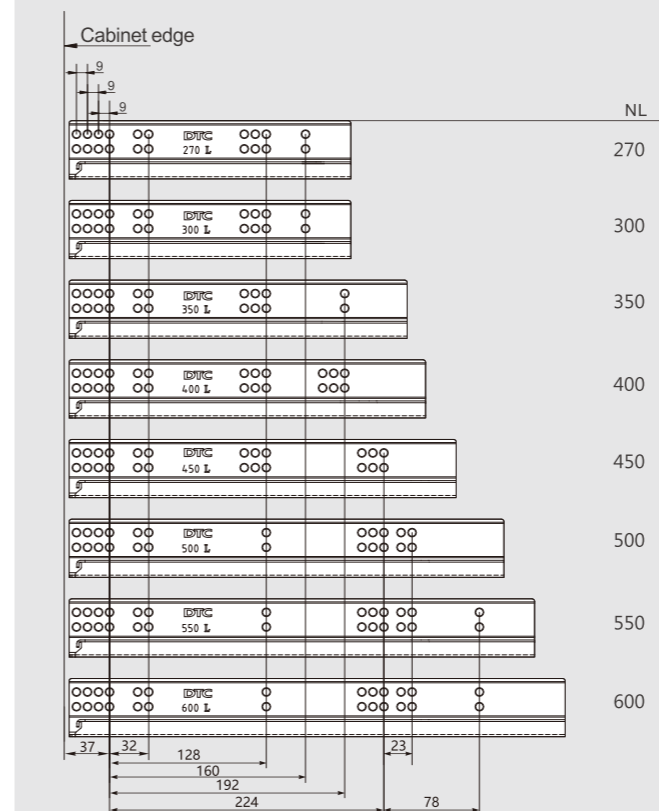
3 Front Fixing-brackets (left/right) / Industrial Package			
Pre-zinc Steel(F02)			
	Item No.	Set/ctn	
Screw-on	HE11011X	120	
Press-in	HE11016X	120	

30 Rod for Push-open Synchronization / Industrial Package			
Size:1100mm.Cutting:Internal cabinet width LW-172 for Nominal Side Length: 350mm、400mm、450mm、500mm、550mm、600mm			
Item No.	Set/ctn		
HT0FH02	60		

4 Fixing-brackets			
Zinc plated(B04)			
Item No.	Set/ctn		
HE10082	400		

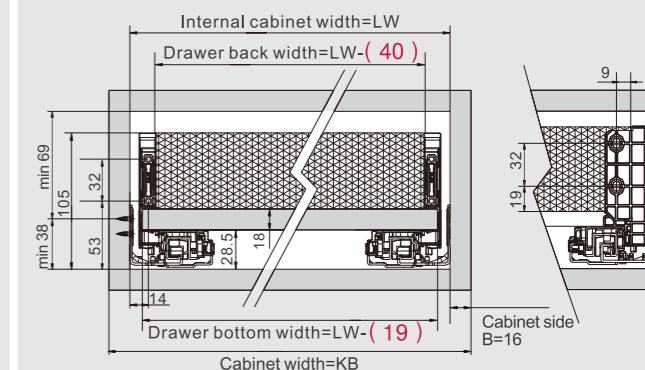


#### Screw Positions of the Slides(mm)

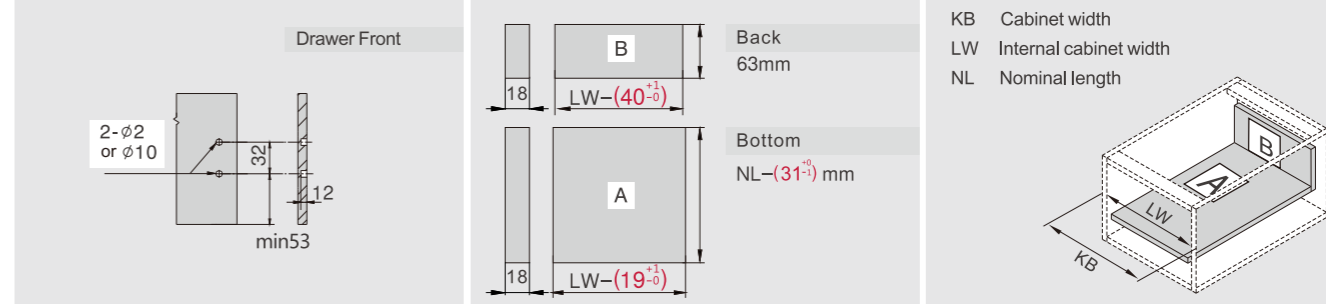


#### Installation Dimensions(mm)

LW=Internal Cabinet Width

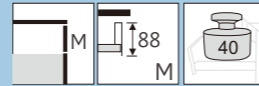


#### Drawer Front, Back and Bottom Dimensions(mm)



# MAGIC-STAR PLUS

## HD11 Series Straight-sided Drawer System (Low Inner Drawer: M Height)



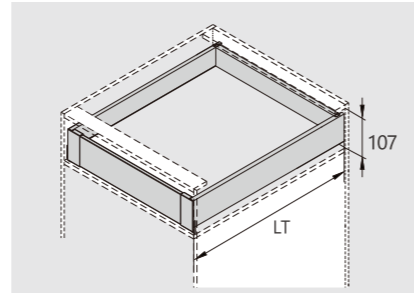
### PRODUCT



### DESCRIPTION

- Concealed, full extension
- Load capacity: 40kg
- Tool free assembly and removal of drawer
- Silent system guarantees smooth run without noise
- 3D adjustment:
  - Up & down adjustment:  $\pm 2\text{mm}$
  - left & right adjustment:  $\pm 1.2\text{mm}$
  - tilt adjustment:  $+0.5\text{mm}, -2.5\text{mm}$
- Finish: Silk white(E29), Grey matt(E30)

### SPACE REQUIREMENT

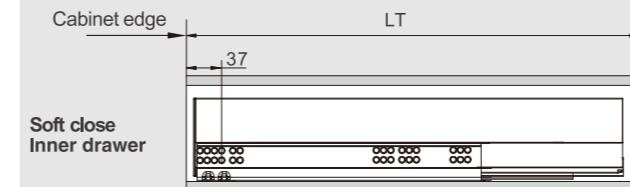


LT=Internal Cabinet Depth  
Soft close slides LT=NL+3  
Push-open slides LT=NL+13

### PLANNING

#### Installation Dimensions(mm)

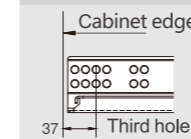
NL=Nominal Slide Length  
LT=Internal Cabinet Depth  
Soft close slides LT=NL+3  
Push-open slides LT=NL+13



#### Cabinet Configuration

Cabinet widths/KB(mm)	Push-open drawer Synchronization rod	
300	○	○ recommended
350	○	
400	○	
450	○	
500	○	
600	○	● strongly recommended
800	●	
900	●	
1000	●	
1200	●	

#### Fixing Hole Position for Push-open Inner Drawer(mm)



#### Installation Dimensions(mm)

LW=Internal Cabinet Width

### LOW INNER DRAWER FOR WOOD DRAWER BACK

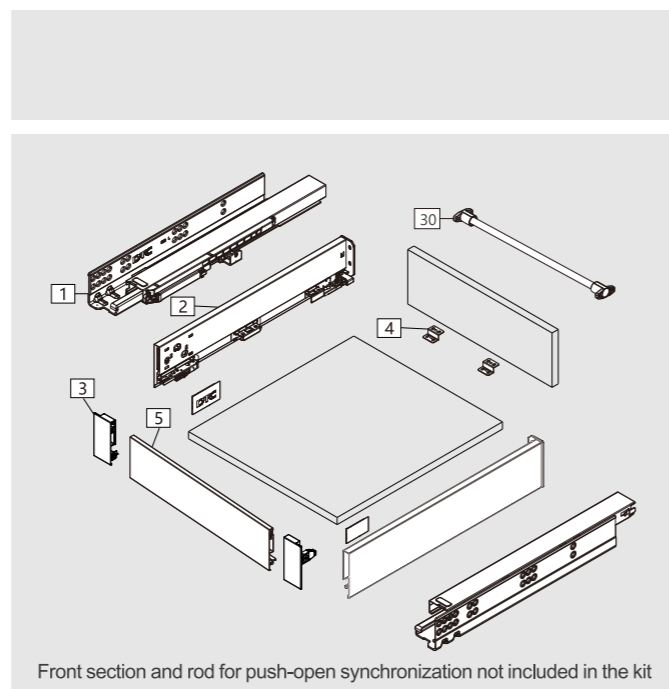
Kit Package				1 Slides (left/right) /Industrial Package				2 Drawer Sides and Cover Caps (left/right) /Industrial Package			
Silk White(E29)! Grey Matt(E30)!				Pre-zinc Steel(F02)				Silk White(E29)! Grey Matt(E30)!			
NL	Soft Close item No.	Push-open item No.	Set/ctn	NL	Soft Close item No.	Push-open item No.	Set/ctn	NL	Item No.	Set/ctn	
270mm	HD11270Q1AX	HD41270Q1AX	1	270mm	HD10270H	HD40270H	5	270mm	HE11270AX	5	
300mm	HD11300Q1AX	HD41300Q1AX	1	300mm	HD10300H	HD40300H	5	300mm	HE11300AX	5	
350mm	HD11350Q1AX	HD41350Q1AX	1	350mm	HD10350H	HD40350H	5	350mm	HE11350AX	5	
400mm	HD11400Q1AX	HD41400Q1AX	1	400mm	HD10400H	HD40400H	5	400mm	HE11400AX	5	
450mm	HD11450Q1AX	HD41450Q1AX	1	450mm	HD10450H	HD40450H	5	450mm	HE11450AX	5	
500mm	HD11500Q1AX	HD41500Q1AX	1	500mm	HD10500H	HD40500H	5	500mm	HE11500AX	5	
550mm	HD11550Q1AX	HD41550Q1AX	1	550mm	HD10550H	HD40550H	5	550mm	HE11550AX	5	
600mm	HD11600Q1AX	HD41600Q1AX	1	600mm	HD10600H	HD40600H	5	600mm	HE11600AX	5	

3	Front Fixing-brackets (left/right) / Industrial Package White(H03)! Dark Grey(H11)	Item No. <b>HD11012X</b>	Set/ctn 60
---	---	--------------------------	------------

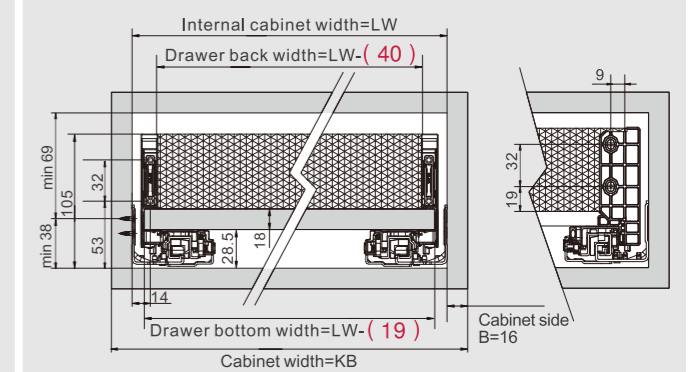
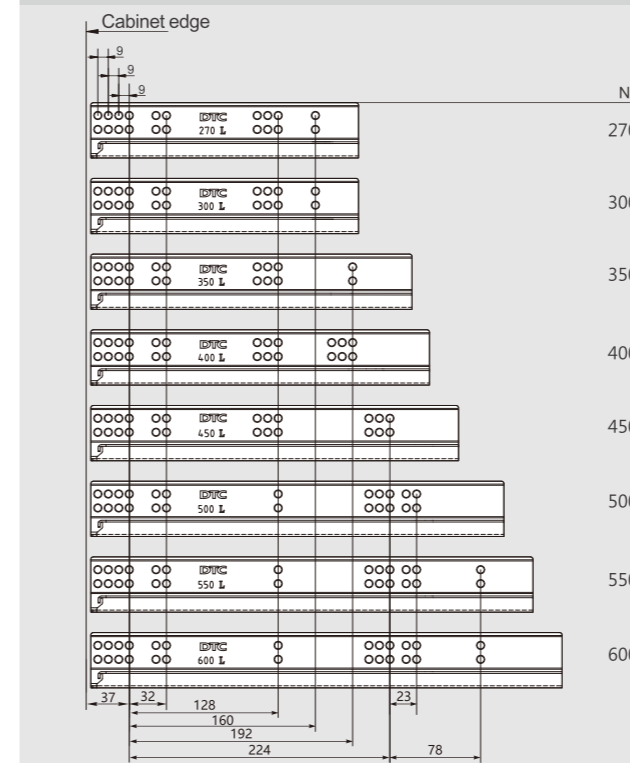
5	Front Section / Industrial Package Size:1100mm.Cutting:Internal cabinet width LW-97	Item No. <b>HT10022</b>	Set/ctn 20
---	--	-------------------------	------------

30	Rod for Push-open Synchronization / Industrial Package Size:1100mm.Cutting:Internal cabinet width LW-172 for Nominal Side Length: 350mm, 400mm, 450mm, 500mm, 550mm, 600mm	Item No. <b>HT0FH02</b>	Set/ctn 60
----	---	-------------------------	------------

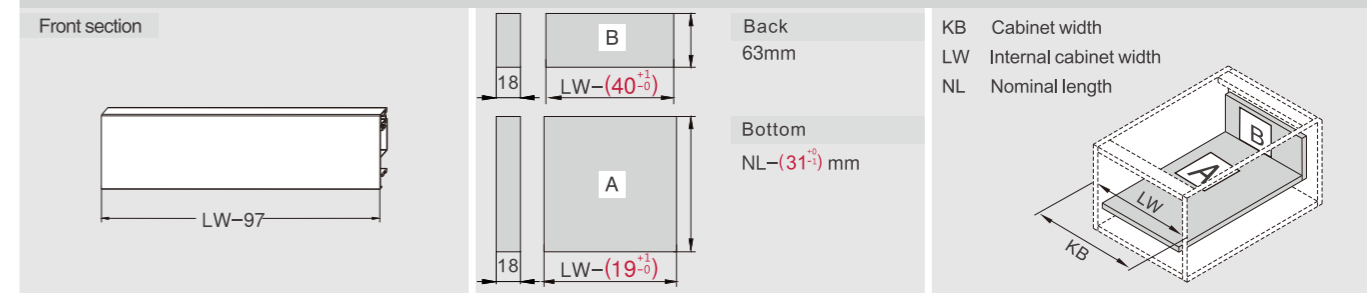
4	Fixing-brackets Zinc plated(B04)	Item No. <b>HE10082</b>	Pcs/ctn 400
---	-------------------------------------	-------------------------	-------------



#### Screw Positions of the Slides(mm)

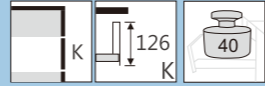


#### Front Section, Back and Bottom Dimensions(mm)



# MAGIC-STAR PLUS

## HD12 Series Straight-sided Drawer System (Medium Drawer: K Height)



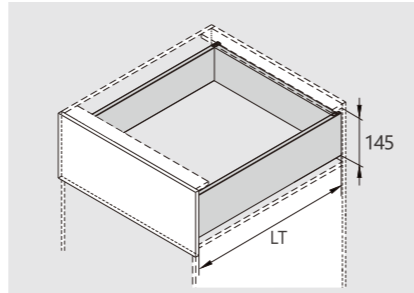
### PRODUCT



### DESCRIPTION

- Concealed, full extension
- Load capacity: 40kg
- Tool free assembly and removal of drawer
- Silent system guarantees smooth run without noise
- 3D adjustment:
  - Up & down adjustment: ±2mm
  - left & right adjustment: ±1.2mm
  - tilt adjustment: +0.5mm, -2.5mm
- Finish: Silk white(E29), Grey matt(E30)

### SPACE REQUIREMENT

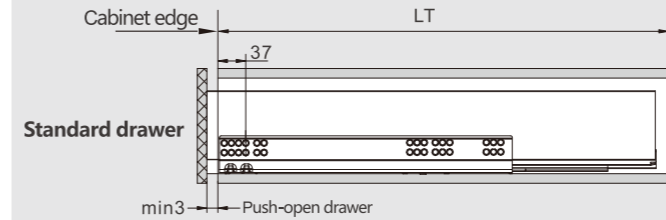


LT=Internal Cabinet Depth  
LT=NL+3

### PLANNING

#### Installation Dimensions(mm)

NL=Nominal Slide Length  
LT=Internal Cabinet Depth  
LT=NL+3



#### Cabinet Configuration

Cabinet widths/KB(mm)	Push-open drawer Synchronization rod	
300	○	○ recommended
350	○	
400	○	
450	○	
500	○	
600	○	● strongly recommended
800	●	
900	●	
1000	●	
1200	●	

### MEDIUM DRAWER FOR WOOD DRAWER BACK

Kit Package			
Silk White(E29)! Grey Matt(E30)!			
NL	Soft Close item No.	Push-open item No.	Set/ctn
270mm	HD12270A1AX	HD42270A1AX	1
300mm	HD12300A1AX	HD42300A1AX	1
350mm	HD12350A1AX	HD42350A1AX	1
400mm	HD12400A1AX	HD42400A1AX	1
450mm	HD12450A1AX	HD42450A1AX	1
500mm	HD12500A1AX	HD42500A1AX	1
550mm	HD12550A1AX	HD42550A1AX	1
600mm	HD12600A1AX	HD42600A1AX	1

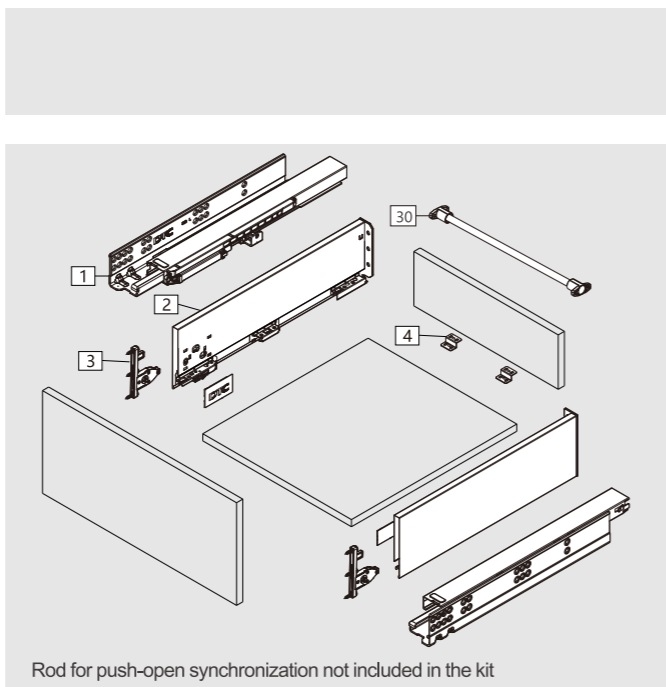
1 Slides (left/right) /Industrial Package			
Pre-zinc Steel(F02)			
NL	Soft Close item No.	Push-open item No.	Set/ctn
270mm	HD10270H	HD40270H	5
300mm	HD10300H	HD40300H	5
350mm	HD10350H	HD40350H	5
400mm	HD10400H	HD40400H	5
450mm	HD10450H	HD40450H	5
500mm	HD10500H	HD40500H	5
550mm	HD10550H	HD40550H	5
600mm	HD10600H	HD40600H	5

2 Drawer Sides and Cover Caps (left/right) /Industrial Package			
Silk White(E29)! Grey Matt(E30)!			
NL	Item No.	Set/ctn	
270mm	HE12270AX	5	
300mm	HE12300AX	5	
350mm	HE12350AX	5	
400mm	HE12400AX	5	
450mm	HE12450AX	5	
500mm	HE12500AX	5	
550mm	HE12550AX	5	
600mm	HE12600AX	5	

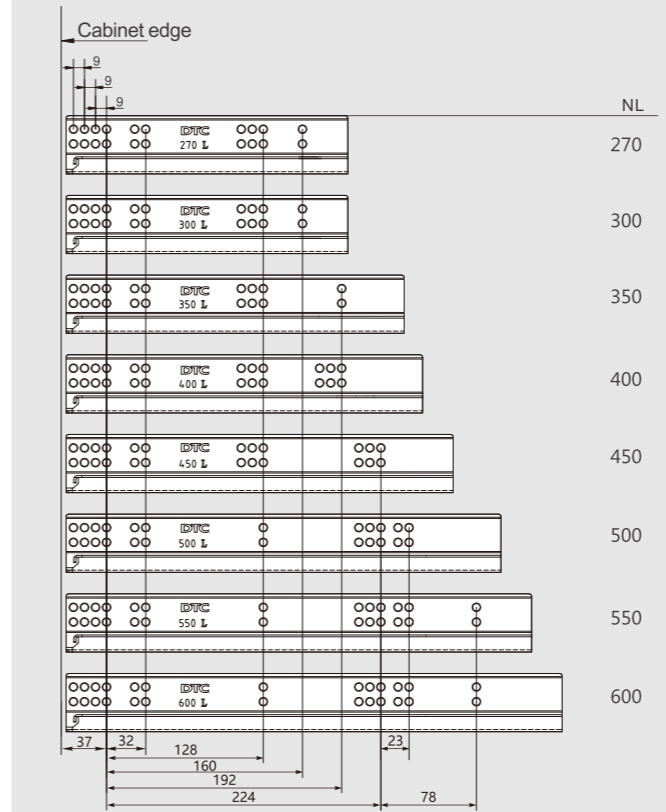
3 Front Fixing-brackets (left/right) / Industrial Package			
Pre-zinc Steel(F02)			
	Item No.	Set/ctn	
Screw-on	HE12011X	120	
Press-in	HE12016X	120	

30 Rod for Push-open Synchronization / Industrial Package			
Size:1100mm.Cutting:Internal cabinet width LW-172 for Nominal Side Length: 350mm、400mm、450mm、500mm、550mm、600mm			
Item No.	Set/ctn		
HT0FH02	60		

4 Fixing-brackets			
Zinc plated(B04)			
Item No.	Pcs/ctn		
HE10082	400		

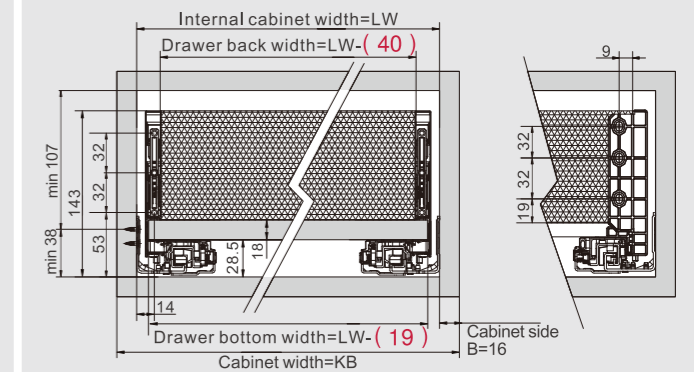


### Screw Positions of the Slides(mm)

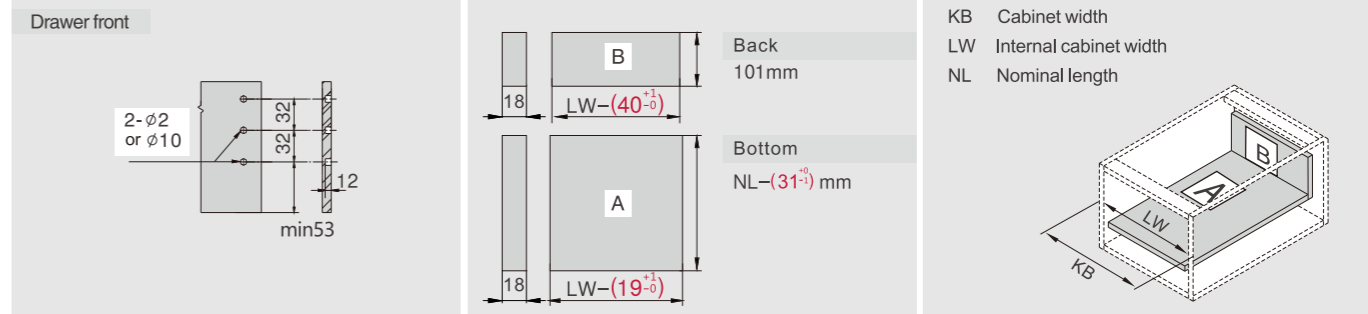


### Installation Dimensions(mm)

LW=Internal Cabinet Width

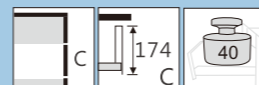


### Drawer Front, Back and Bottom Dimensions(mm)



# MAGIC-STAR PLUS

## HD13 Series Straight-sided Drawer System (High Drawer: C Height)



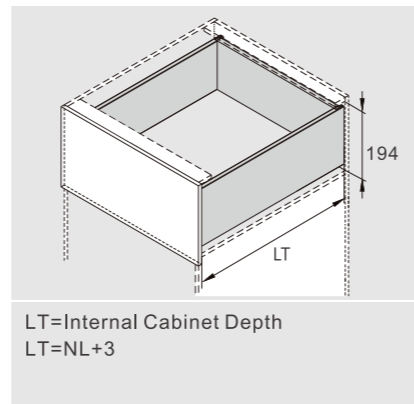
### PRODUCT



### DESCRIPTION

- Concealed, full extension
- Load capacity: 40kg
- Tool free assembly and removal of drawer
- Silent system guarantees smooth run without noise
- 3D adjustment:  
Up & down adjustment: ±2mm  
left & right adjustment: ±1.2mm  
tilt adjustment: +0.5mm, -2.5mm
- Finish: Silk white(E29), Grey matt(E30)

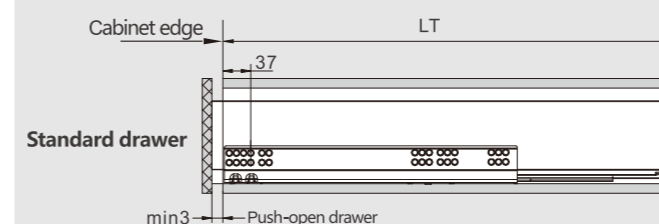
### SPACE REQUIREMENT



### PLANNING

#### Installation Dimensions(mm)

NL=Nominal Slide Length  
LT=Internal Cabinet Depth  
LT=NL+3



#### Cabinet Configuration

Cabinet widths/KB(mm)	Push-open drawer Synchronization rod	
300	○	○ recommended ● strongly recommended
350	○	
400	○	
450	○	
500	○	
600	○	
800	●	
900	●	
1000	●	
1200	●	

### HIGH DRAWER FOR WOOD DRAWER BACK

Kit Package			
Silk White(E29)! Grey Matt(E30)!			
NL	Soft Close item No.	Push-open item No.	Set/ctn
270mm	HD13270A1AX	HD43270A1AX	1
300mm	HD13300A1AX	HD43300A1AX	1
350mm	HD13350A1AX	HD43350A1AX	1
400mm	HD13400A1AX	HD43400A1AX	1
450mm	HD13450A1AX	HD43450A1AX	1
500mm	HD13500A1AX	HD43500A1AX	1
550mm	HD13550A1AX	HD43550A1AX	1
600mm	HD13600A1AX	HD43600A1AX	1

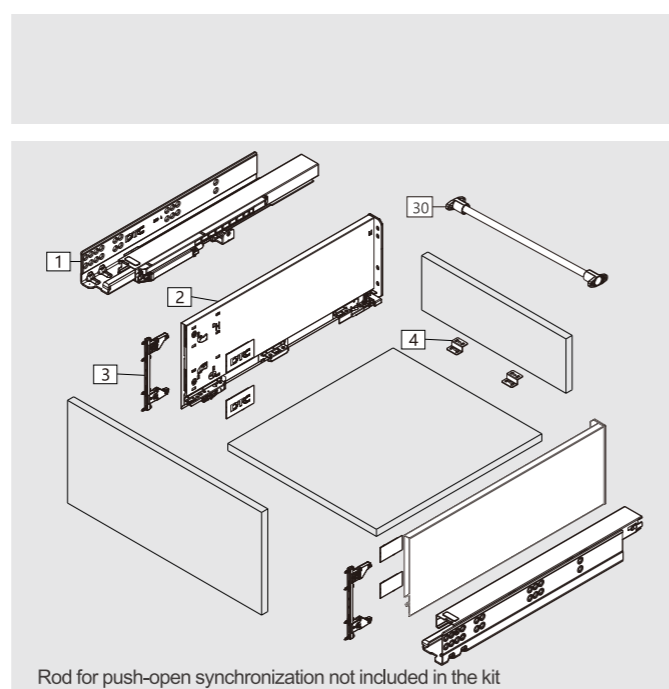
1 Slides (left/right) /Industrial Package			
Pre-zinc Steel(F02)			
NL	Soft Close item No.	Push-open item No.	Set/ctn
270mm	HD10270H	HD40270H	5
300mm	HD10300H	HD40300H	5
350mm	HD10350H	HD40350H	5
400mm	HD10400H	HD40400H	5
450mm	HD10450H	HD40450H	5
500mm	HD10500H	HD40500H	5
550mm	HD10550H	HD40550H	5
600mm	HD10600H	HD40600H	5

2 Drawer Sides and Cover Caps (left/right) /Industrial Package			
Silk White(E29)! Grey Matt(E30)!			
NL	Item No.	Set/ctn	
270mm	HE13270AX	5	
300mm	HE13300AX	5	
350mm	HE13350AX	5	
400mm	HE13400AX	5	
450mm	HE13450AX	5	
500mm	HE13500AX	5	
550mm	HE13550AX	5	
600mm	HE13600AX	5	

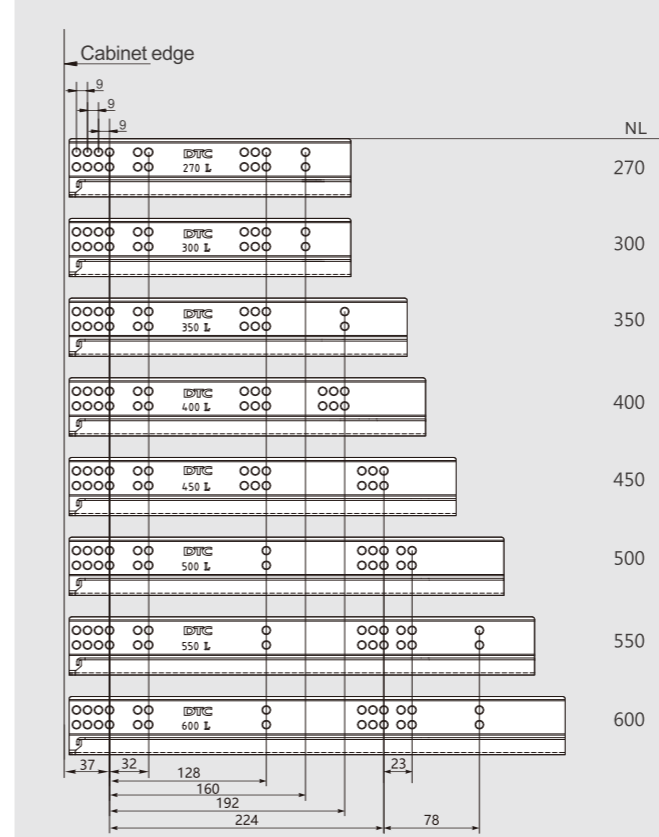
3 Front Fixing-brackets (left/right) / Industrial Package			
Blue zinc plated(B02)			
	Item No.	Set/ctn	
Screw-on	HE13011X	120	
Press-in	HE13016X	120	

30 Rod for Push-open Synchronization / Industrial Package			
Size:1100mm.Cutting:Internal cabinet width LW-172 for Nominal Side Length: 350mm、400mm、450mm、500mm、550mm、600mm			
Item No.	HT0FH02	Set/ctn	60

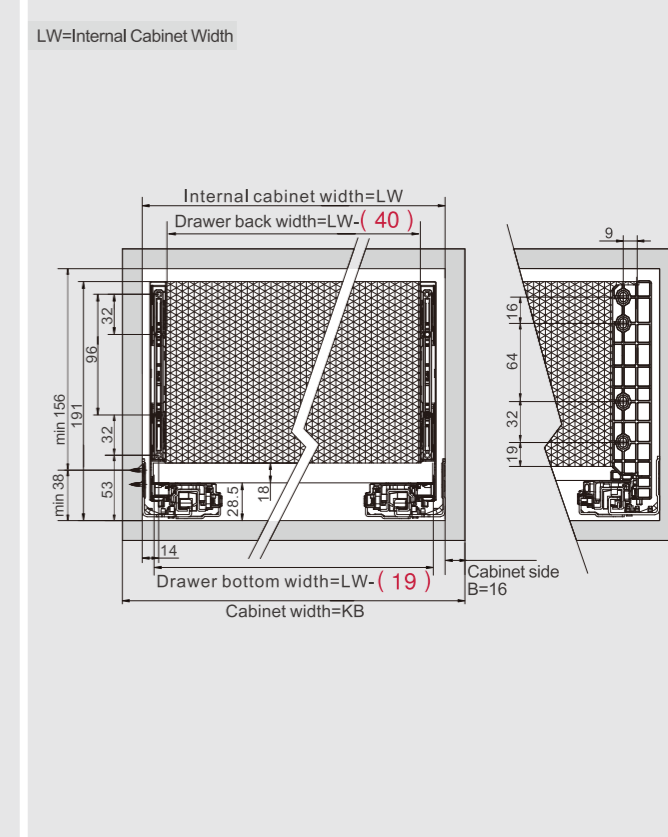
4 Fixing-brackets			
Zinc plated(B04)			
Item No.	HE10082	Pcs/ctn	400



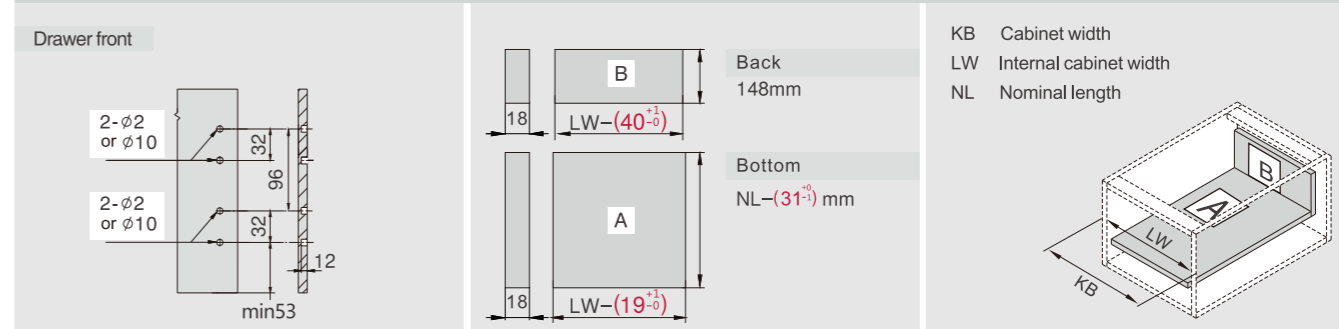
### Screw Positions of the Slides(mm)



### Installation Dimensions(mm)

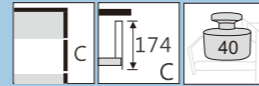


### Drawer Front, Back and Bottom Dimensions(mm)



# MAGIC-STAR PLUS

## HD13 Series Straight-sided Drawer System (High Inner Drawer: C Height)



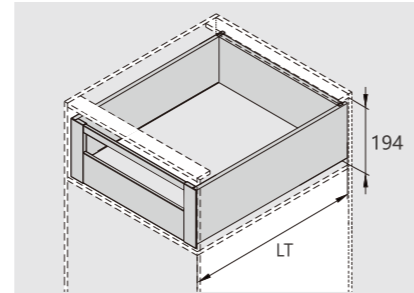
### PRODUCT



### DESCRIPTION

- Concealed, full extension
- Load capacity: 40kg
- Tool free assembly and removal of drawer
- Silent system guarantees smooth run without noise
- 3D adjustment:  
Up & down adjustment: ±2mm  
left & right adjustment: ±1.2mm  
tilt adjustment: +0.5mm, -2.5mm
- Finish: Silk white(E29), Grey matt(E30)

### SPACE REQUIREMENT

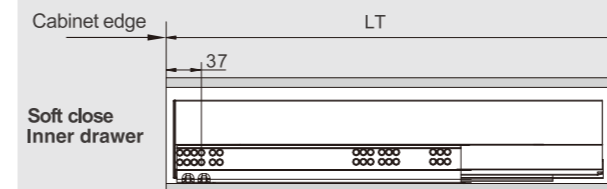


LT=Internal Cabinet Depth  
Soft close slides LT=NL+3  
Push-open slides LT=NL+13

### PLANNING

#### Installation Dimensions(mm)

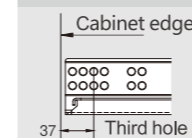
NL=Nominal Slide Length      Soft close slides LT=NL+3  
LT=Internal Cabinet Depth      Push-open slides LT=NL+13



#### Cabinet Configuration

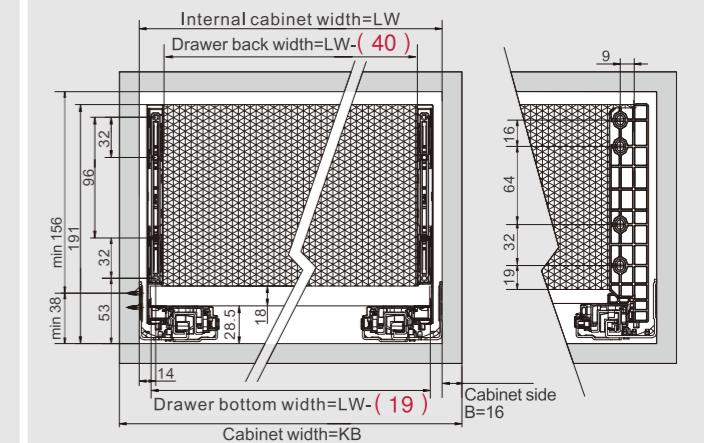
Cabinet widths/KB(mm)	Push-open drawer Synchronization rod	
300	○	○ recommended ● strongly recommended
350	○	
400	○	
450	○	
500	○	
600	○	
800	●	
900	●	
1000	●	
1200	●	

#### Fixing Hole Position for Push-open Inner Drawer(mm)



#### Installation Dimensions(mm)

LW=Internal Cabinet Width



### HIGH INNER DRAWER WITH SQUARE CROSS RAIL FOR WOOD DRAWER BACK

Kit Package				1 Slides (left/right) / Industrial Package				2 Drawer Sides and Cover Caps (left/right) / Industrial Package			
Silk White(E29)! Grey Matt(E30)!				Pre-zinc Steel(F02)				Silk White(E29)! Grey Matt(E30)!			
NL	Soft Close item No.	Push-open item No.	Set/ctn	NL	Soft Close item No.	Push-open item No.	Set/ctn	NL	Item No.	Set/ctn	
270mm	HD13270Q1AX	HD43270Q1AX	1	270mm	HD10270H	HD40270H	5	270mm	HE13270AX	5	
300mm	HD13300Q1AX	HD43300Q1AX	1	300mm	HD10300H	HD40300H	5	300mm	HE13300AX	5	
350mm	HD13350Q1AX	HD43350Q1AX	1	350mm	HD10350H	HD40350H	5	350mm	HE13350AX	5	
400mm	HD13400Q1AX	HD43400Q1AX	1	400mm	HD10400H	HD40400H	5	400mm	HE13400AX	5	
450mm	HD13450Q1AX	HD43450Q1AX	1	450mm	HD10450H	HD40450H	5	450mm	HE13450AX	5	
500mm	HD13500Q1AX	HD43500Q1AX	1	500mm	HD10500H	HD40500H	5	500mm	HE13500AX	5	
550mm	HD13550Q1AX	HD43550Q1AX	1	550mm	HD10550H	HD40550H	5	550mm	HE13550AX	5	
600mm	HD13600Q1AX	HD43600Q1AX	1	600mm	HD10600H	HD40600H	5	600mm	HE13600AX	5	

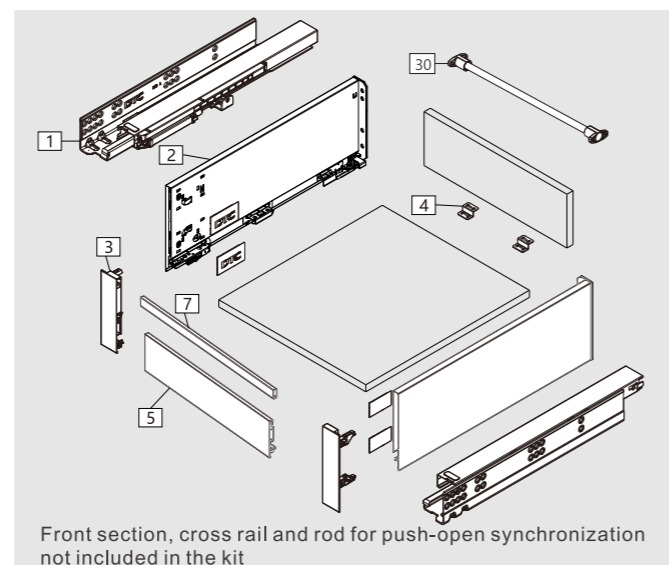
3	Front Fixing-brackets (left/right) / Industrial Package White(H03)! Dark Grey(H11)	Item No. <b>HD13014X</b>	Set/ctn 60
---	---	--------------------------	------------

7	Square Cross Rail / Industrial Package Silk White(E29)! Grey Matt(E30) Size:1100mm.Cutting: Internal cabinet width LW-72	Item No. <b>HT10071</b>	Set/ctn 60
---	--	-------------------------	------------

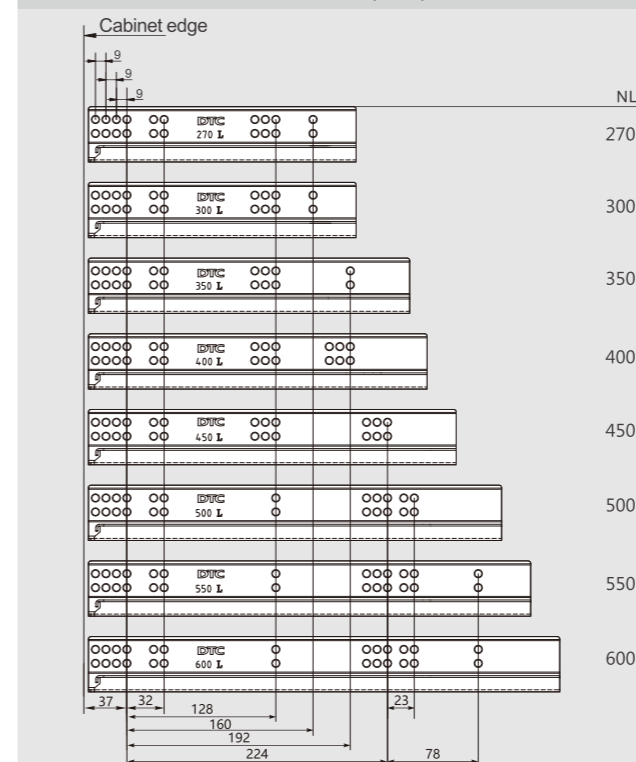
5	Front Section / Industrial Package Size:1100mm.Cutting:Internal cabinet width LW-97	Item No. <b>HT10022</b>	Set/ctn 20
---	--	-------------------------	------------

30	Rod for Push-open Synchronization / Industrial Package Size:1100mm.Cutting:Internal cabinet width LW-172 for Nominal Side Length: 350mm、400mm、450mm、500mm、550mm、600mm	Item No. <b>HT0FH02</b>	Set/ctn 60
----	--	-------------------------	------------

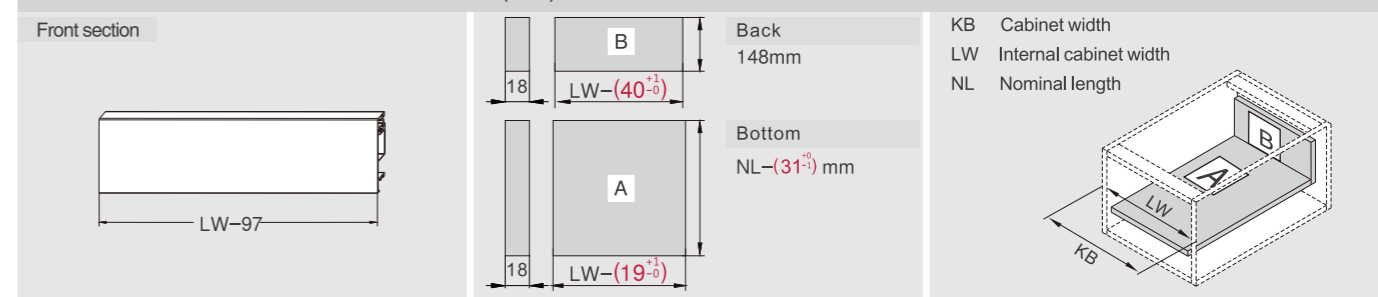
4	Fixing-brackets Zinc plated(B04)	Item No. <b>HE10082</b>	Pcs/ctn 400
---	-------------------------------------	-------------------------	-------------



#### Screw Positions of the Slides(mm)

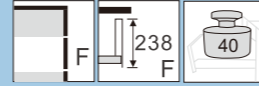


#### Front Section, Back and Bottom Dimensions(mm)



# MAGIC-STAR PLUS

## HD14 Series Straight-sided Drawer System (Super High Drawer: F Height)



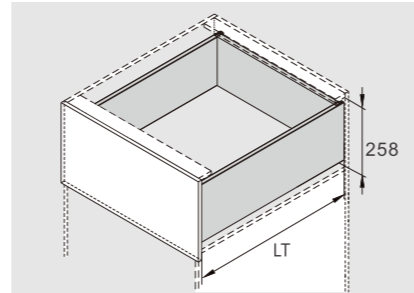
### PRODUCT



### DESCRIPTION

- Concealed, full extension
- Load capacity: 40kg
- Tool free assembly and removal of drawer
- Silent system guarantees smooth run without noise
- 3D adjustment:  
Up & down adjustment: ±2mm  
left & right adjustment: ±1.2mm  
tilt adjustment: +0.5mm, -2.5mm
- Finish: Silk white(E29), Grey matt(E30)

### SPACE REQUIREMENT

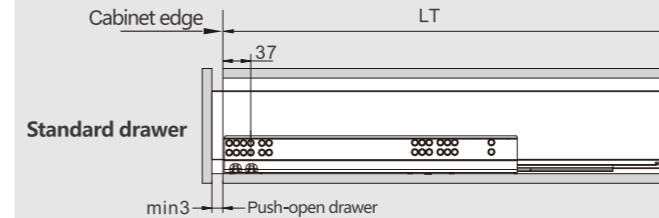


LT=Internal Cabinet Depth  
LT=NL+3

### PLANNING

#### Installation Dimensions(mm)

NL=Nominal Slide Length  
LT=Internal Cabinet Depth  
LT=NL+3



#### Cabinet Configuration

Cabinet widths/KB(mm)	Push-open drawer Synchronization rod	
300	○	○ recommended
350	○	
400	○	
450	○	
500	○	
600	○	● strongly recommended
800	●	
900	●	
1000	●	
1200	●	

### SUPER HIGH DRAWER FOR WOOD DRAWER BACK

Kit Package			
Silk White(E29)! Grey Matt(E30)!			
NL	Soft Close item No.	Push-open item No.	Set/ctn
270mm	HD14270A1AX	HD44270A1AX	1
300mm	HD14300A1AX	HD44300A1AX	1
350mm	HD14350A1AX	HD44350A1AX	1
400mm	HD14400A1AX	HD44400A1AX	1
450mm	HD14450A1AX	HD44450A1AX	1
500mm	HD14500A1AX	HD44500A1AX	1
550mm	HD14550A1AX	HD44550A1AX	1
600mm	HD14600A1AX	HD44600A1AX	1

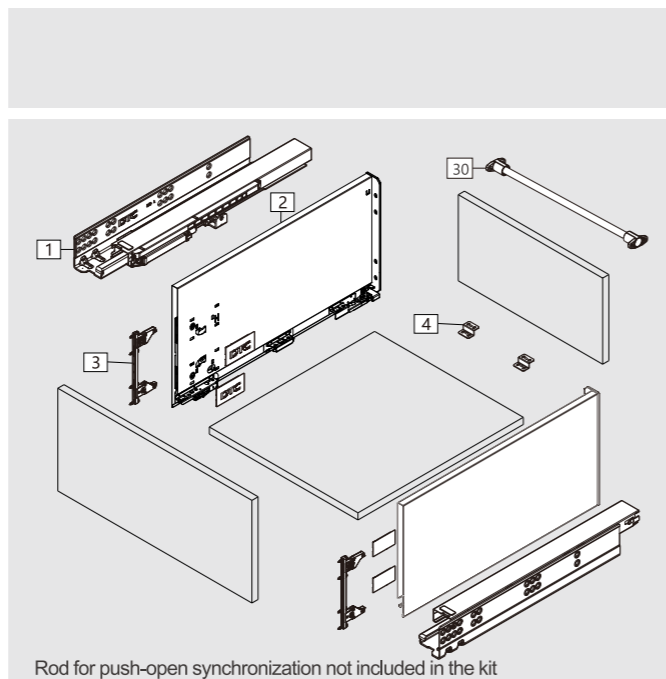
1 Slides (left/right) /Industrial Package			
Pre-zinc Steel(F02)			
NL	Soft Close item No.	Push-open item No.	Set/ctn
270mm	HD10270H	HD40270H	5
300mm	HD10300H	HD40300H	5
350mm	HD10350H	HD40350H	5
400mm	HD10400H	HD40400H	5
450mm	HD10450H	HD40450H	5
500mm	HD10500H	HD40500H	5
550mm	HD10550H	HD40550H	5
600mm	HD10600H	HD40600H	5

2 Drawer Sides and Cover Caps (left/right) /Industrial Package			
Silk White(E29)! Grey Matt(E30)!			
NL	Item No.	Set/ctn	
270mm	HE14270AX	5	
300mm	HE14300AX	5	
350mm	HE14350AX	5	
400mm	HE14400AX	5	
450mm	HE14450AX	5	
500mm	HE14500AX	5	
550mm	HE14550AX	5	
600mm	HE14600AX	5	

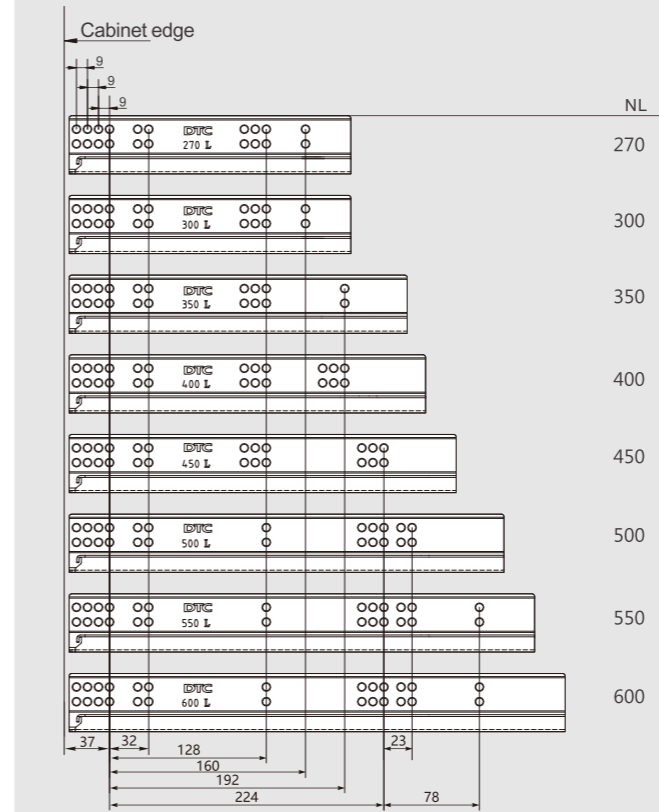
3 Front Fixing-brackets (left/right) / Industrial Package			
Blue zinc plated(B02)			
	Item No.	Set/ctn	
Screw-on	HE13011X	120	
Press-in	HE13016X	120	

4 Fixing-brackets			
Zinc plated(B04)			
	Item No.	Set/ctn	
	HE10082	400	

30 Rod for Push-open Synchronization / Industrial Package			
Size:1100mm.Cutting:Internal cabinet width LW-172 for Nominal Side Length: 350mm、400mm、450mm、500mm、550mm、600mm			
	Item No.	Set/ctn	
	HT0FH02	60	

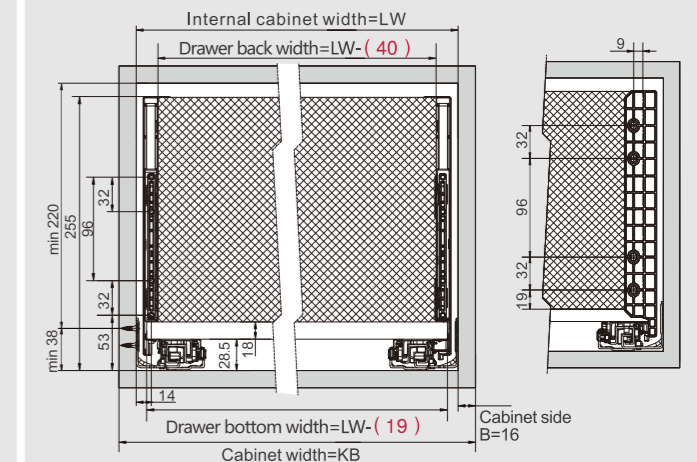


### Screw Positions of the Slides(mm)

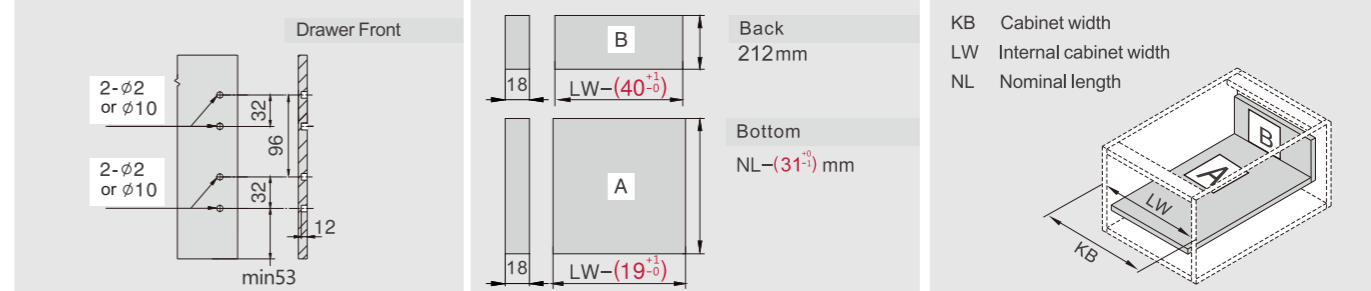


### Installation Dimensions(mm)

LW=Internal Cabinet Width

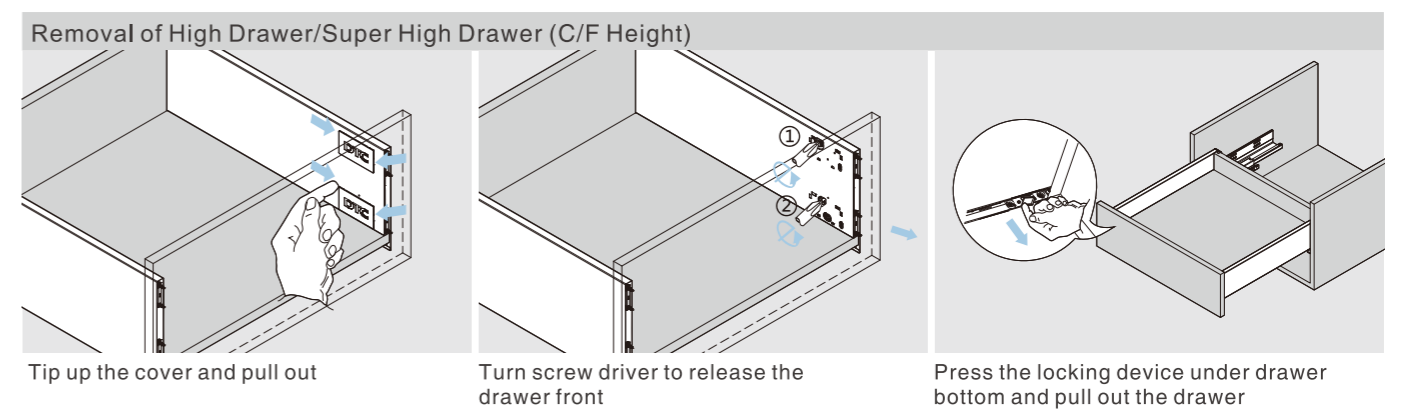
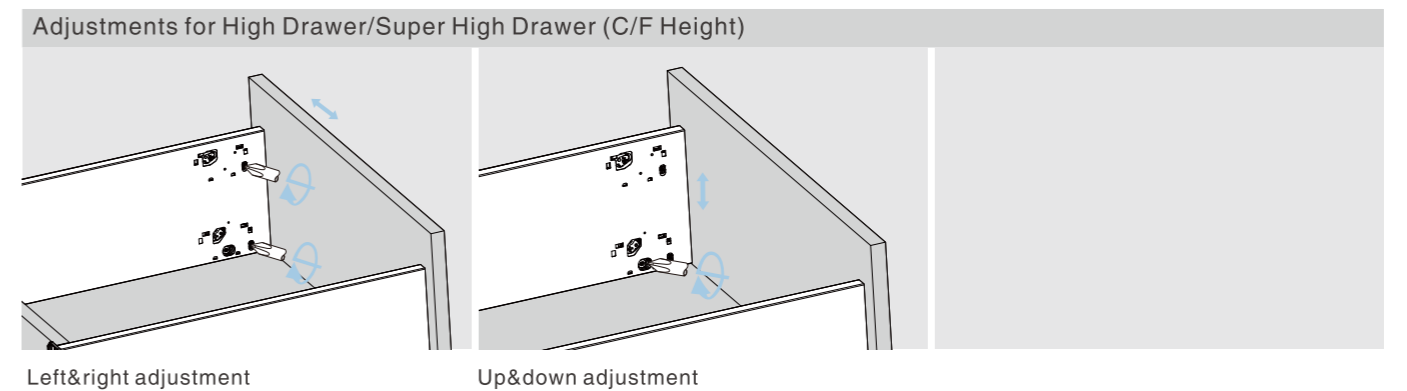
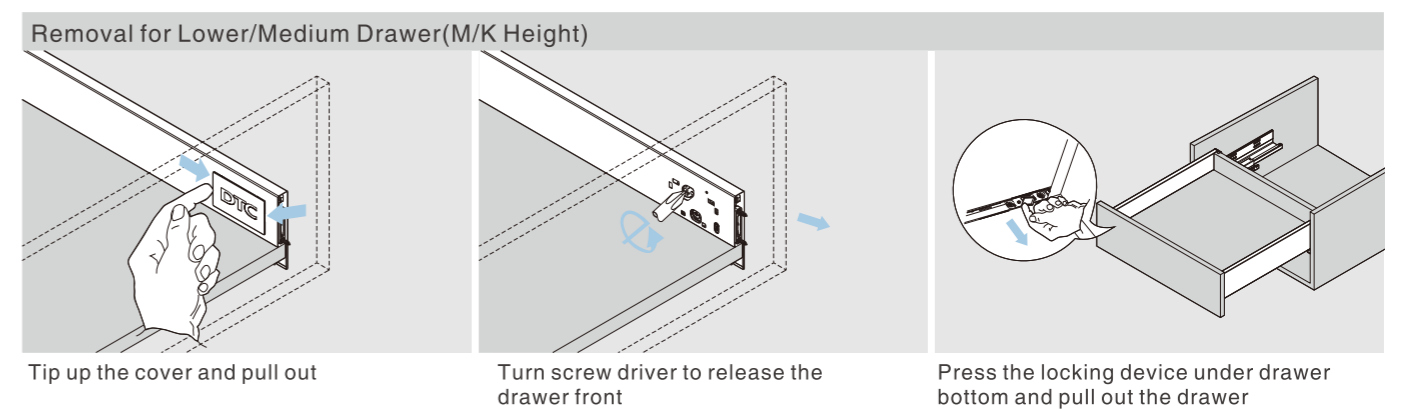
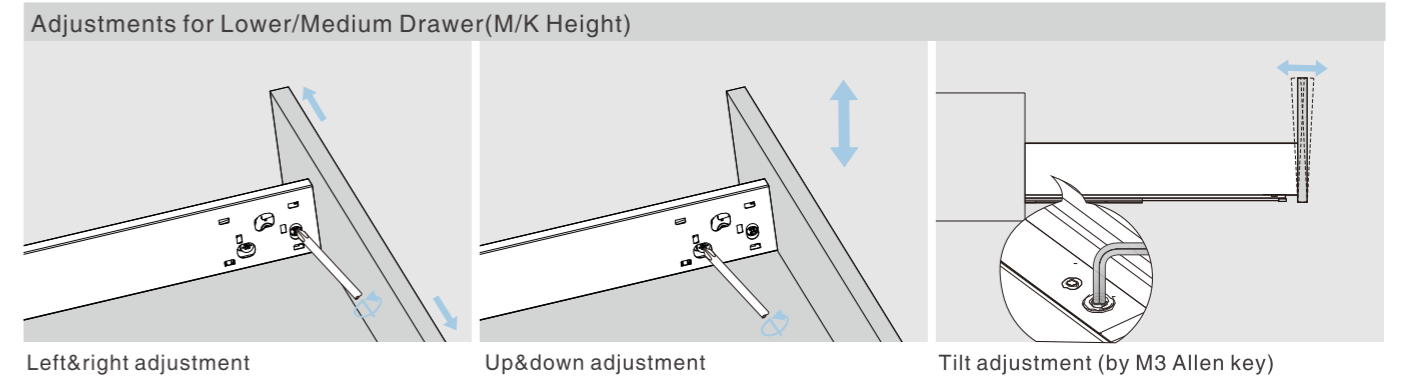
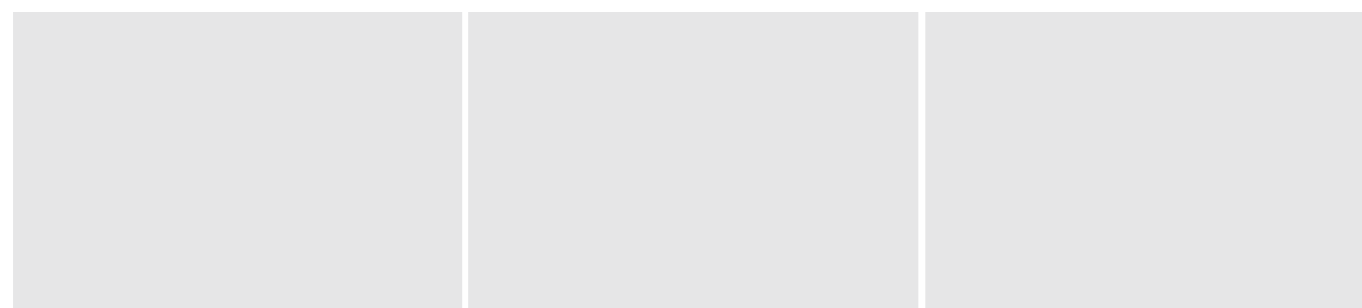
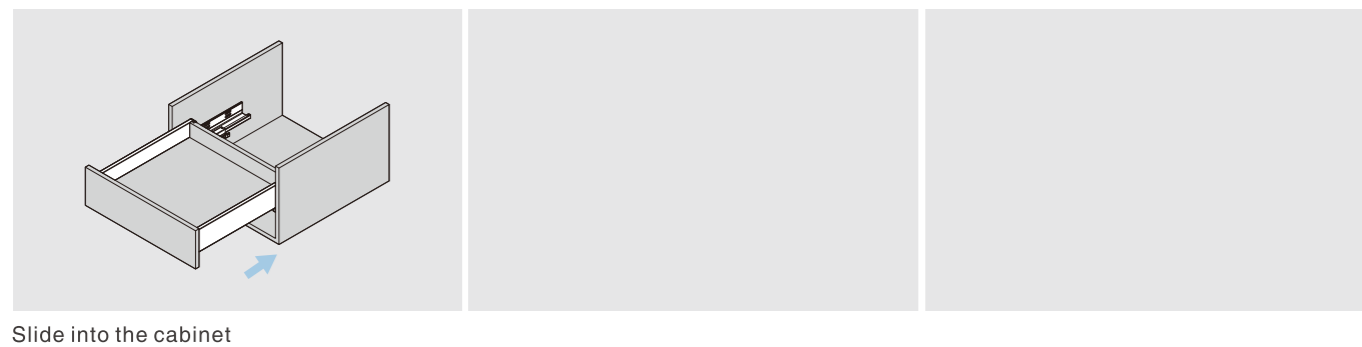
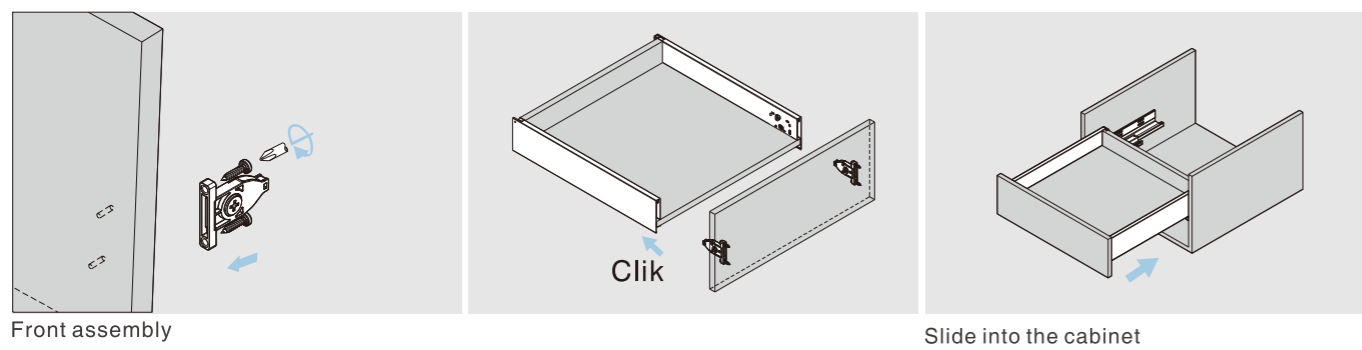
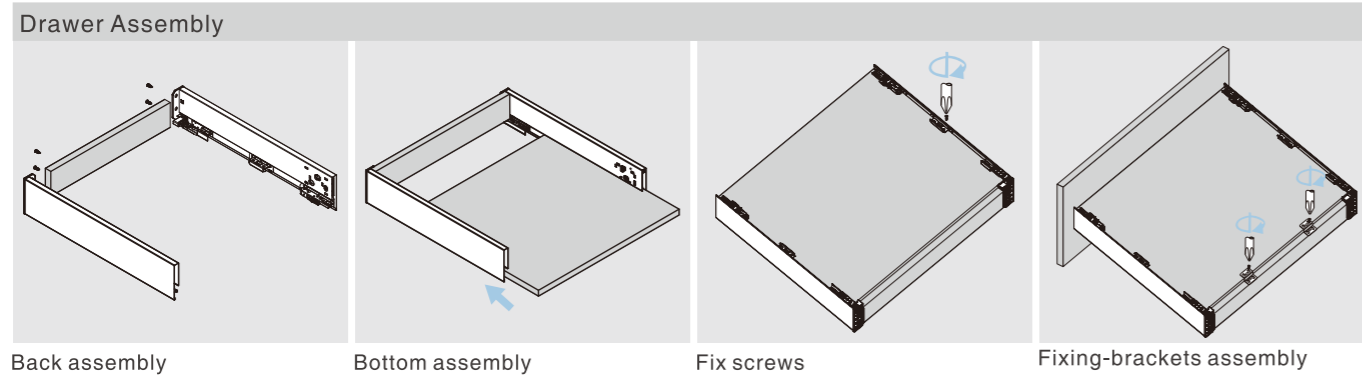


### Drawer Front, Back and Bottom Dimensions(mm)



# ASSEMBLY AND ADJUSTMENT

Assembly and Adjustment(for MAGIC-STAR PLUS)



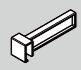
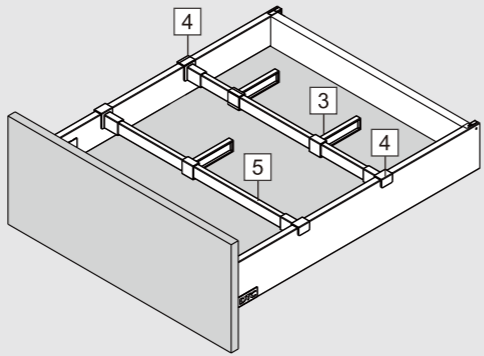




# DIVIDING ACCESSORIES

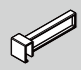
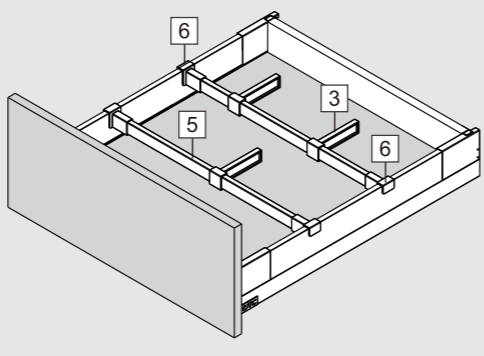


Dividing Accessories (for MAGIC-PRO, DRAGON-PRO, MAGIC-STAR PLUS)

## ORDER INFORMATION


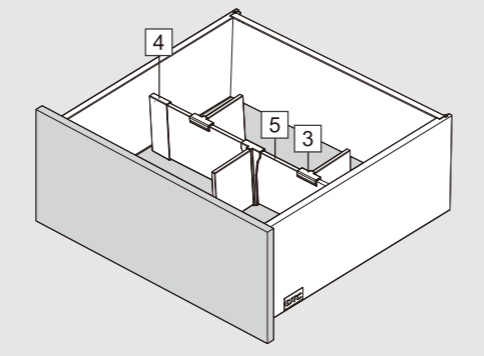
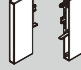
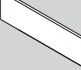
**Applicable with Metal Drawer Side**

<b>3</b>		Divider/Industrial Package White(H03)! Dark Grey(H11) Item No. <b>HT10074</b> Set/ctn 60	
<b>4</b>		Square Cross Rail Connector/Industrial Package White(H03)! Dark Grey(H11) Item No. <b>HT10072</b> Set/ctn 120	
<b>5</b>		Square Cross Rail/Industrial Package Silk White(E29)! Grey Matt(E30) Item No. <b>HT10071</b> Set/ctn 20 (Size:1100mm Cutting:Internal Cabinet width LW-72)Applicable with MAGIC-PRO, MAGIC-STAR	


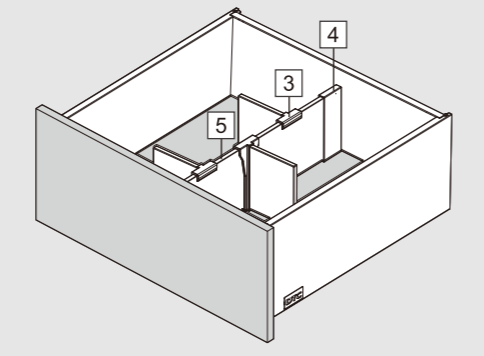
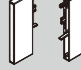
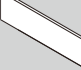
**Applicable with Glass-box Drawer Side**

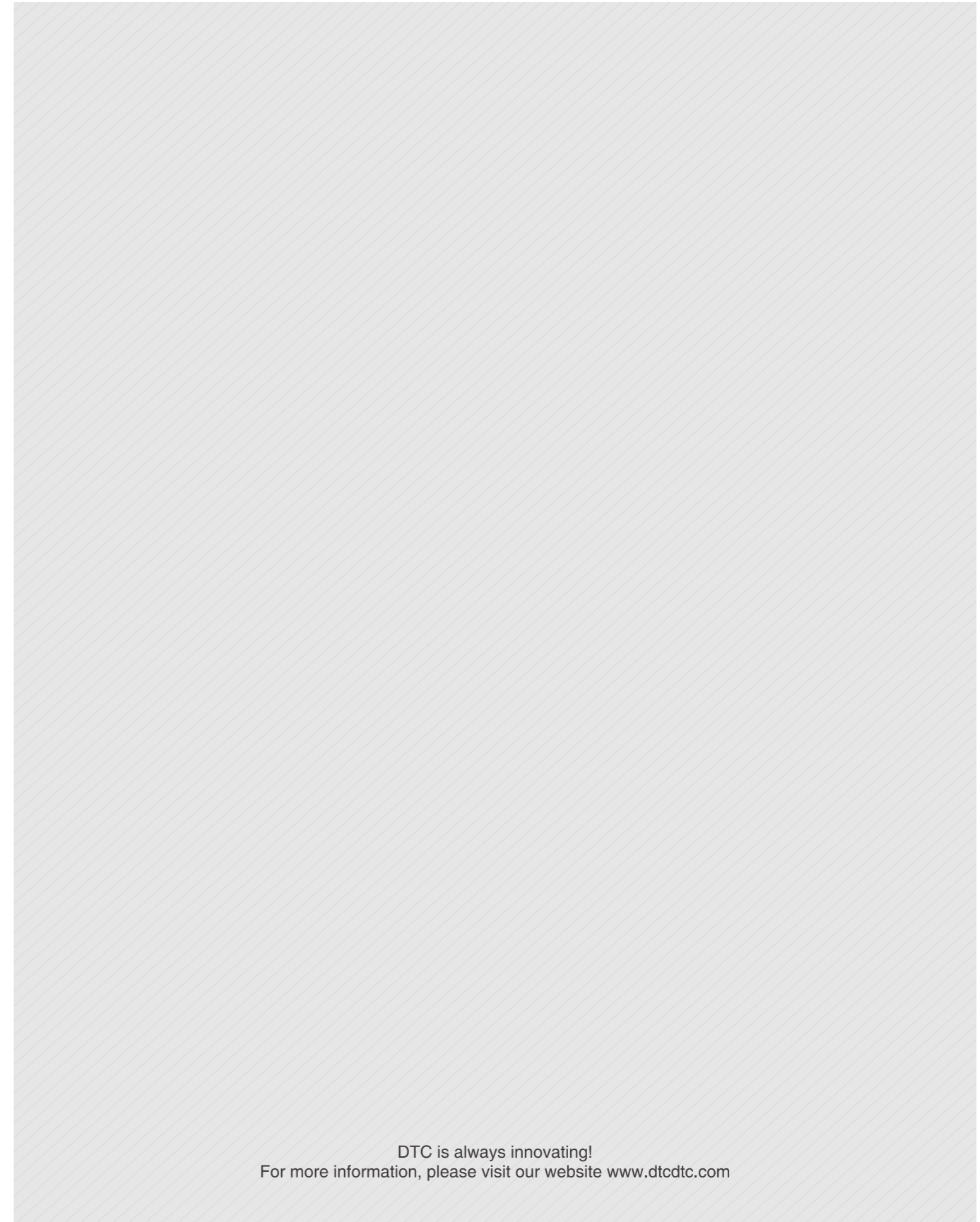
<b>3</b>		Divider/Industrial Package White(H03)! Dark Grey(H11) Item No. <b>HT10074</b> Set/ctn 60	
<b>6</b>		Square Cross Rail Connector/Industrial Package White(H03)! Dark Grey(H11) Item No. <b>HT10073</b> Set/ctn 120	
<b>5</b>		Square Cross Rail/Industrial Package Silk White(E29)! Grey Matt(E30) Item No. <b>HT10071</b> Set/ctn 20 (Size:1100mm Cutting:Internal Cabinet width LW-72)Applicable with MAGIC-PRO, MAGIC-STAR (Size:1100mm Cutting:Internal Cabinet width LW-74)Applicable with DRAGON-PRO	

**Applicable with Metal Drawer Side**

<b>3</b>		Divider/Industrial Package White(H03)! Dark Grey(H11) Item No. <b>M01076</b> Set/ctn 60	
<b>4</b>		Square Cross Rail Connector/Industrial Package White(H03)! Dark Grey(H11) Item No. <b>HB01075</b> Set/ctn 60	
<b>5</b>		Cross Divider/Industrial Package Silk White(E29)! Grey Matt(E30) Item No. <b>M01023</b> Set/ctn 20 (Size:1100mm Cutting:Internal Cabinet width LW-72)Applicable with MAGIC-PRO, MAGIC-STAR (Size:1100mm Cutting:Internal Cabinet width LW-74)Applicable with DRAGON-PRO	

**Applicable with Metal Drawer Side(Wood Back)**

<b>3</b>		Divider/Industrial Package White(H03)! Dark Grey(H11) Item No. <b>M01076</b> Set/ctn 60	
<b>4</b>		Square Cross Rail Connector/Industrial Package White(H03)! Dark Grey(H11) Item No. <b>HB01075</b> Set/ctn 60	
<b>5</b>		Cross Divider/Industrial Package Silk White(E29)! Grey Matt(E30) Item No. <b>M01023</b> Set/ctn 20 (Size:1100mm Cutting:Internal Cabinet width NL-92)Applicable with MAGIC-PRO, MAGIC-STAR (Size:1100mm Cutting:Internal Cabinet width NL-87)Applicable with DRAGON-PRO	



DTC is always innovating!  
For more information, please visit our website [www.dtc.dtc.com](http://www.dtc.dtc.com)