

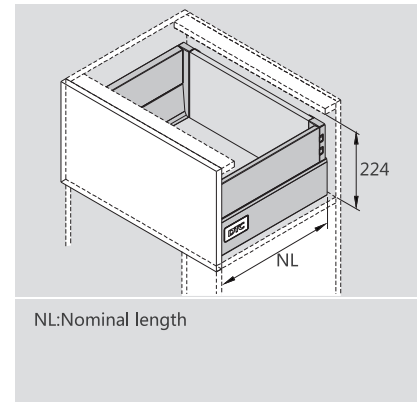
PRODUCT



DESCRIPTION

- Concealed, full extension
- Dynamic load capacity: 30/40/50kg
- Tool free assembly and removal of drawer
- Silent system guarantees smooth run without noise
- Up&down adjustment, left&right adjustment
- Finish: White(E01), silver grey(E18), stainless steel(F04)

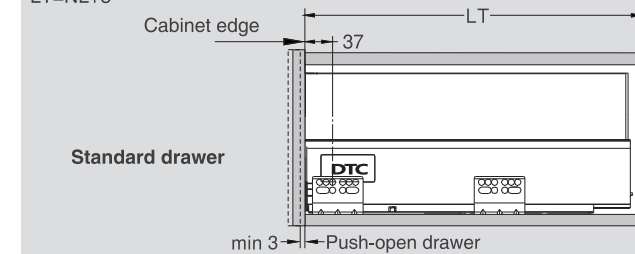
SPACE REQUIREMENT



PLANNING

Installation Dimensions(mm)

NL=Nominal Slide Length
LT=Internal Cabinet Depth
LT=NL+3



Cabinet Configuration

Cabinet widths/KB(mm)	Cabinet widths/KB(mm)	Stabilizer recommended
300		
350		
400		
450		
500		
600		
800	800	
900	900	
1000	1000	
1200	1200	

HIGH DRAWER WITH DOUBLE-WALL METAL-BOXSIDE FOR WOOD DRAWER BACK

Kit Package				1 Slides (left/right) /Industrial Package				2 Drawer Sides and Cover Caps (left/right) /Industrial Package			
White(E01)! Silver Grey(E18)! Stainless Steel(F04)				Pre-zinc Steel (F02)				White(E01)! Silver Grey(E18)! Stainless Steel(F04)			
NL	Soft close item No.	Push-open item No.	Set/ctn	NL	Soft close item No.	Push-open item No.	Set/ctn	NL	item No.	Set/ctn	Set/ctn
400mm	MM024004E	MM324004E	1	400mm	M014004H	M314004H	5	400mm	MM02400	5	5
450mm	MM024504E	MM324504E	1	450mm	M014504H	M314504H	5	450mm	MM02450	5	5
500mm	MM025004E	MM325004E	1	500mm	M015004H	M315004H	5	500mm	MM02500	5	5
550mm	MM025504E	MM325504E	1	550mm	M015504H	M315504H	5	550mm	MM02550	5	5
600mm	MM026004E	MM326004E	1	600mm	M016004H	M316004H	5	600mm	MM02600	5	5

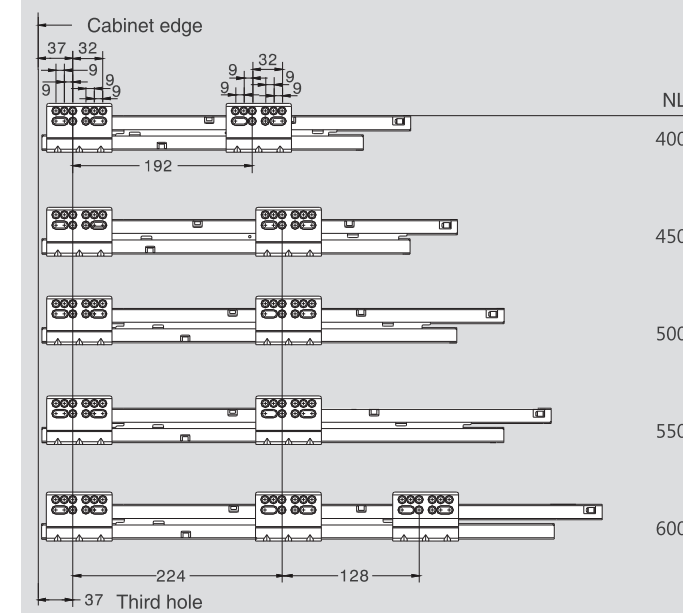
3 Back Fixing-brackets (left/right) / Industrial Package				15 Double-wall Metal-boxside (left/right) /Industrial Package			
White(E01)! Silver Grey(E18)! Chrome Plated(C01)				White(E01)! Silver Grey(E18)! Chrome Plated(C01)			
item No.	Set/ctn	NL	item No.	Pcs/ctn			
MM02031	20	400mm	MM02051400	20			
		450mm	MM02051450	20			
		500mm	MM02051500	20			
		550mm	MM02051550	20			
		600mm	MM02051600	20			

4 Front Fixing-brackets (left/right) /Industrial Package			
Zinc Plated (B01)			
item No.	Set/ctn		
Screw-on M01011	120		
Press-in M01016	120		

14 Front Adapter (left/right) / Industrial Package			
White(H03)! Silver Grey(H12)			
item No.	Set/ctn		
MM02062	120		

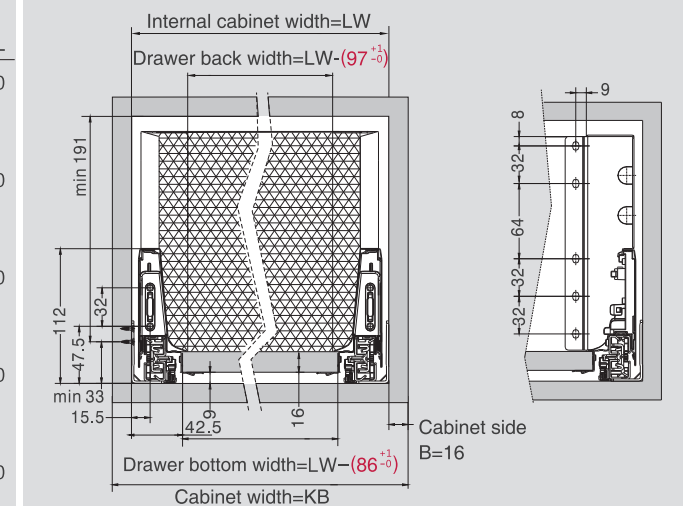
16 Rear Adapter (left/right) / Industrial Package			
White(H03)! Silver Grey(H12)			
item No.	Set/ctn		
MM02063	60		

Screw Positions of the Slides(mm)

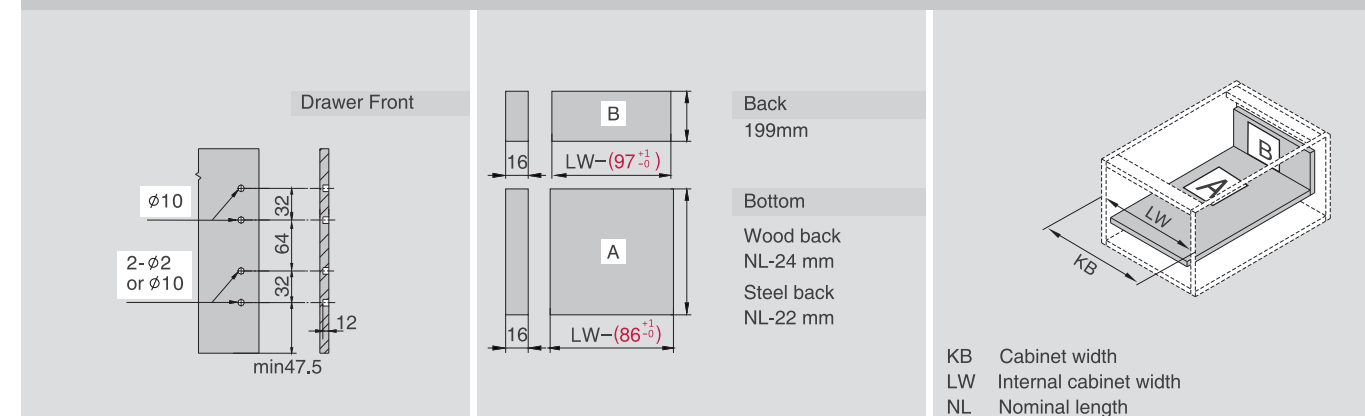


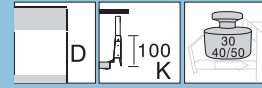
Installation Dimensions(mm)

LW=Internal Cabinet Width



Drawer Front,Back and Bottom Dimensions(mm)





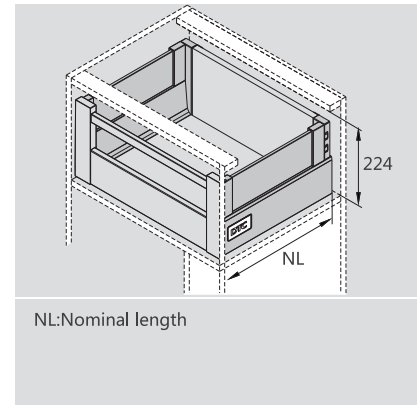
PRODUCT



DESCRIPTION

- Concealed, full extension
- Dynamic load capacity: 30/40/50kg
- Tool free assembly and removal of drawer
- Silent system guarantees smooth run without noise
- Up&down adjustment, left&right adjustment
- Finish: White(E01), silver grey(E18), stainless steel(F04)

SPACE REQUIREMENT

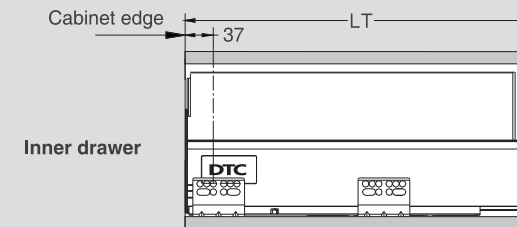


PLANNING

Installation Dimensions(mm)

NL=Nominal Slide Length
LT=Internal Cabinet Depth

Soft close slides/LT=NL+3
Push-open slides/LT=NL+12



Cabinet Configuration

Cabinet widths/KB(mm)	Cabinet widths/KB(mm)	Stabilizer recommended
300		
350		
400		
450		
500		
600		
800	800	
900	900	
1000	1000	
1200	1200	

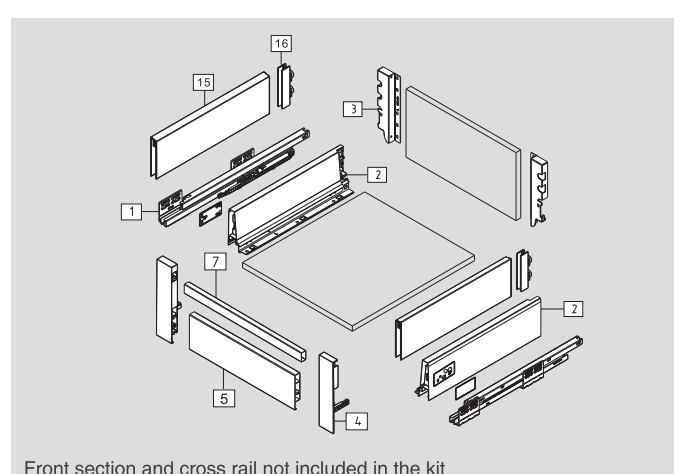
HIGH INNER DRAWER WITH DOUBLE-WALL METAL-BOXSIDE FOR WOOD DRAWER BACK

Kit Package				1 Slides (left/right) /Industrial Package			2 Drawer Sides and Cover Caps (left/right) /Industrial Package			
White(E01)! Silver Grey(E18)! Stainless Steel(F04)				Pre-zinc Steel (F02)			White(E01)! Silver Grey(E18)! Stainless Steel(F04)			
NL	Soft close item No.	Push-open item No.	Set/ctn	NL	Soft close item No.	Push-open item No.	Set/ctn	NL	item No.	Set/ctn
400mm	MM024004U	MM324004U	1	400mm	M014004H	M314004H	5	400mm	MM02400	5
450mm	MM024504U	MM324504U	1	450mm	M014504H	M314504H	5	450mm	MM02450	5
500mm	MM025004U	MM325004U	1	500mm	M015004H	M315004H	5	500mm	MM02500	5
550mm	MM025504U	MM325504U	1	550mm	M015504H	M315504H	5	550mm	MM02550	5
600mm	MM026004U	MM326004U	1	600mm	M016004H	M316004H	5	600mm	MM02600	5

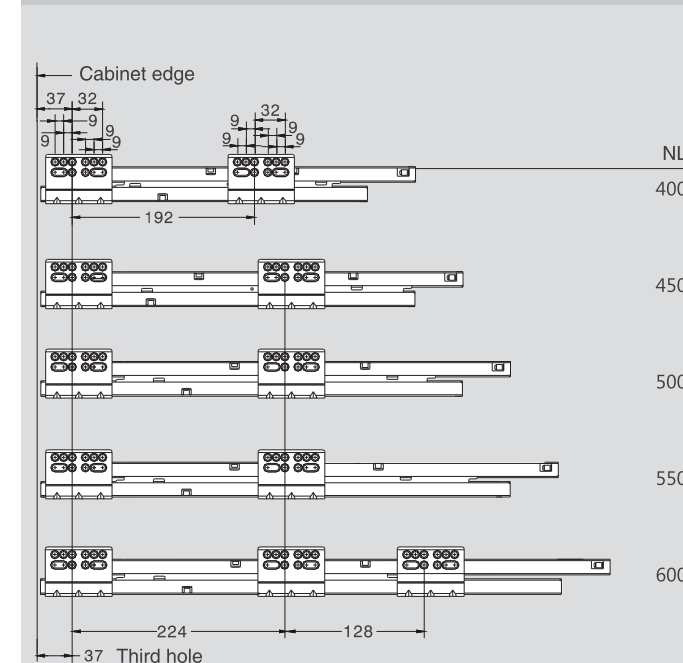
3 Back Fixing-brackets (left/right) / Industrial Package			15 Double-wall Metal-boxside (left/right) /Industrial Package		
White(E01)! Silver Grey(E18)! Chrome Plated(C01)			White(E01)! Silver Grey(E18)! Chrome Plated(C01)		
item No.	Set/ctn		NL	item No.	Pcs/ctn
MM02031	20		400mm	MM02051400	20
			450mm	MM02051450	20
			500mm	MM02051500	20
			550mm	MM02051550	20
			600mm	MM02051600	20

4 Front Fixing-brackets (left/right) / Industrial Package			7 Square Cross Rail / Industrial Package		
White(H03)! Silver Grey(H12)			White(E01)! Silver Grey(E18)		
item No.	Set/ctn		item No.	pcs/ctn	
MM02011	20		M01078	60	

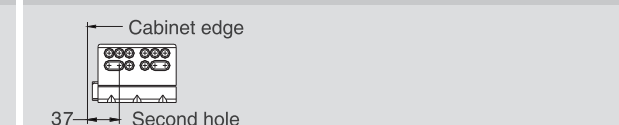
5 Front Section / Industrial Package			16 Rear Adapter (left/right) / Industrial Package		
/For cutting to size, 1100mm.Cutting:Internal cabinet width LW-97			White(H03)! Silver Grey(H12)		
item No.	pcs/ctn		item No.	Set/ctn	
M01021	20		MM02063	60	



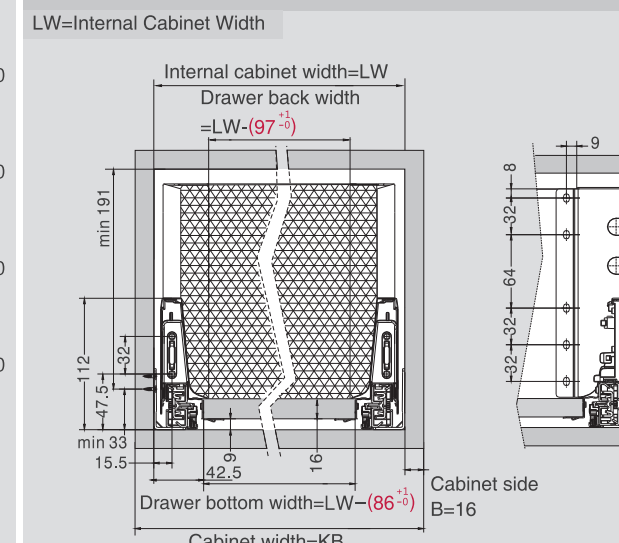
Screw Positions of the Slides(mm)



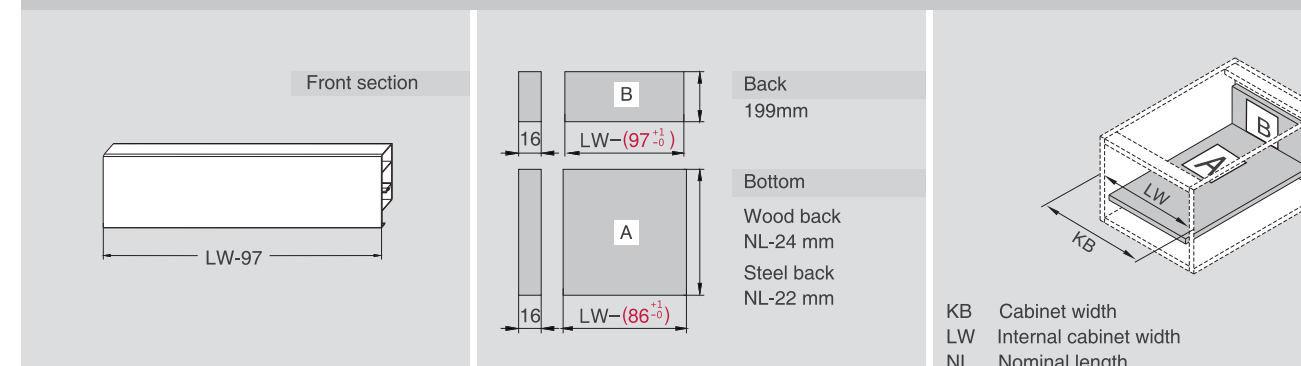
Fixing Hole Position for Push-open Inner Drawer(mm)



Installation Dimensions(mm)

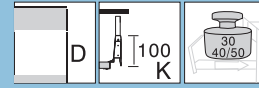


Front Section, Back and Bottom Dimensions(mm)



DRAGON-BOX

MM02 Series Dragon-Box(D Height:High Drawer)



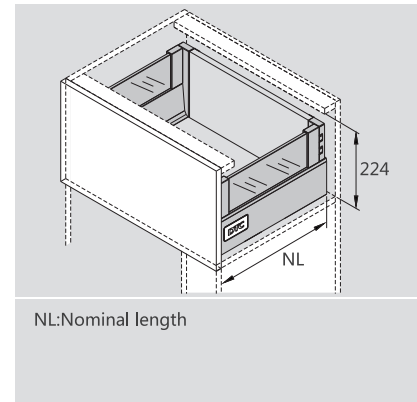
PRODUCT



DESCRIPTION

- Concealed, full extension
- Dynamic load capacity: 30/40/50kg
- Tool free assembly and removal of drawer
- Silent system guarantees smooth run without noise
- Up&down adjustment, left&right adjustment
- Finish: White(E01), silver grey(E18), stainless steel(F04)

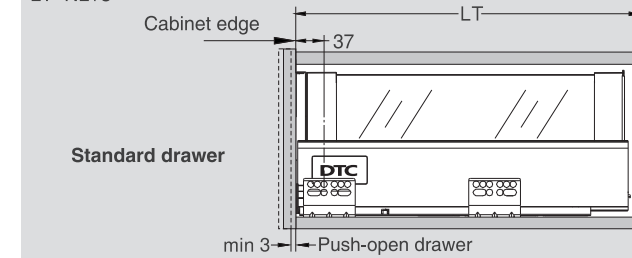
SPACE REQUIREMENT



PLANNING

Installation Dimensions(mm)

NL=Nominal Slide Length
LT=Internal Cabinet Depth
LT=NL+3



Cabinet Configuration

Cabinet widths/KB(mm)	Cabinet widths/KB(mm)	Stabilizer recommended
300		
350		
400		
450		
500		
600		
800	800	
900	900	
1000	1000	
1200	1200	

HIGH DRAWER WITH GLASS-BOXSIDE FOR WOOD DRAWER BACK

Kit Package			
White(E01)! Silver Grey(E18)! Stainless Steel(F04)			
NL	Soft close item No.	Push-open item No.	Set/ctn
400mm	MM024004E	MM324004E	1
450mm	MM024504E	MM324504E	1
500mm	MM025004E	MM325004E	1
550mm	MM025504E	MM325504E	1
600mm	MM026004E	MM326004E	1

1 Slides (left/right) /Industrial Package			
Pre-zinc Steel (F02)			
NL	Soft close item No.	Push-open item No.	Set/ctn
400mm	M014004H	M314004H	5
450mm	M014504H	M314504H	5
500mm	M015004H	M315004H	5
550mm	M015504H	M315504H	5
600mm	M016004H	M316004H	5

2 Drawer Sides and Cover Caps (left/right) /Industrial Package			
White(E01)! Silver Grey(E18)! Stainless Steel(F04)			
NL	item No.	Set/ctn	
400mm	MM02400	5	
450mm	MM02450	5	
500mm	MM02500	5	
550mm	MM02550	5	
600mm	MM02600	5	

14 Front Adapter (left/right) / Industrial Package			
White(H03)! Silver Grey(H12)			
item No.	Set/ctn		
MM02062	120		

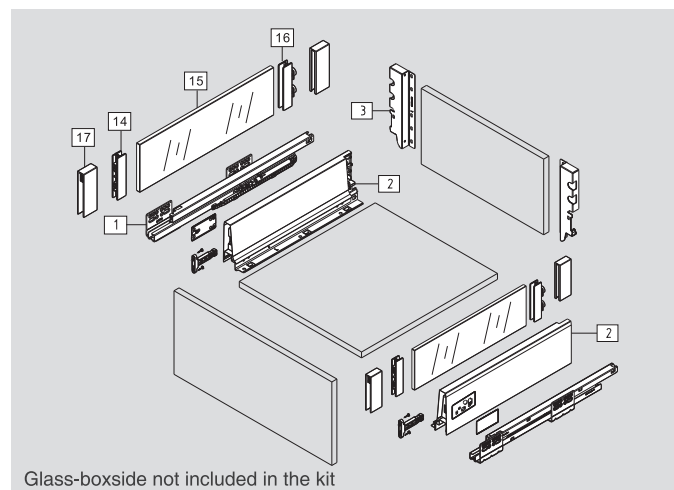
16 Rear Adapter (left/right) / Industrial Package			
White(H03)! Silver Grey(H12)			
item No.	Set/ctn		
MM02063	60		

17 Adapter for Glass (left/right) / Industrial Package			
White(H03)! Silver Grey(H12)			
item No.	Set/ctn		
MM02061	40		

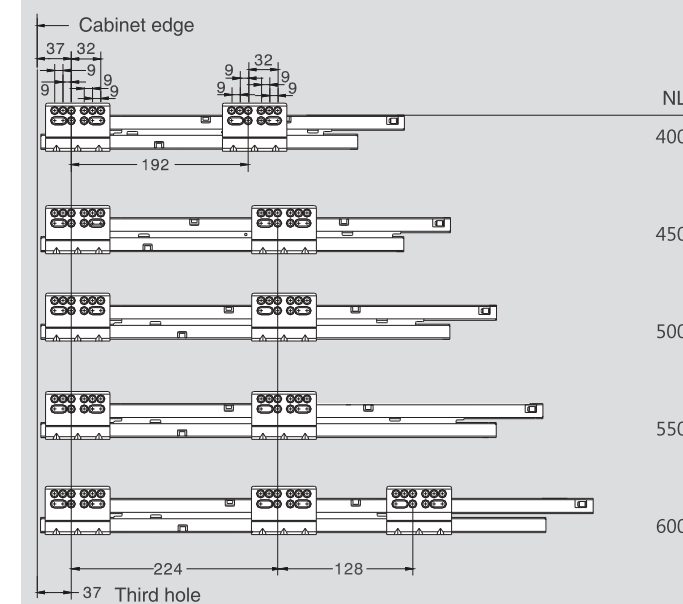
3 Back Fixing-brackets (left/right) / Industrial Package			
White(E01)! Silver Grey(E18)! Chrome Plated(C01)			
item No.	Set/ctn		
MM02031	20		

4 Front Fixing-brackets (left/right) /Industrial Package			
Zinc Plated (B01)			
item No.	Set/ctn		
Screw-on M01011	120		
Press-in M01016	120		

15 8mm Glass-boxside (left/right) /Industrial Package			
Glass(G01)! Ground Glass(G02)! Figured Glass(G03)			
NL	item No.	Pcs/ctn	
400mm	M0106J400	20	
450mm	M0106J450	20	
500mm	M0106J500	20	
550mm	M0106J550	20	
600mm	M0106J600	20	

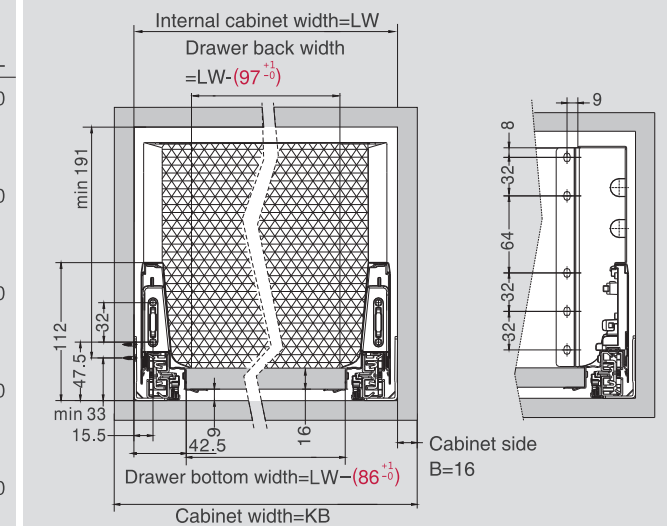


Screw Positions of the Slides(mm)

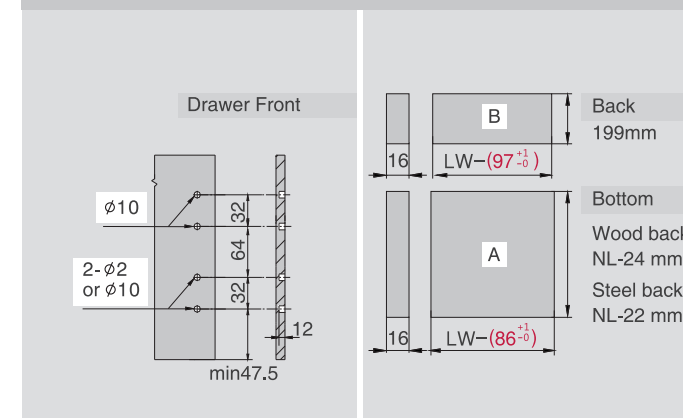


Installation Dimensions(mm)

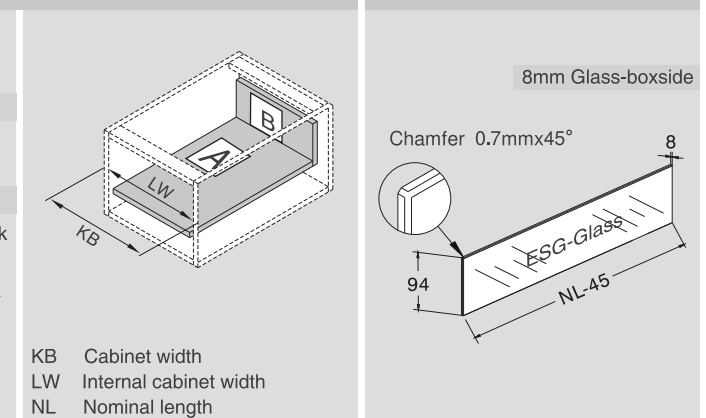
LW=Internal Cabinet Width

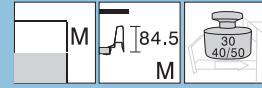


Drawer Front,Back and Bottom Dimensions(mm)



Glass Side Dimensions(mm)





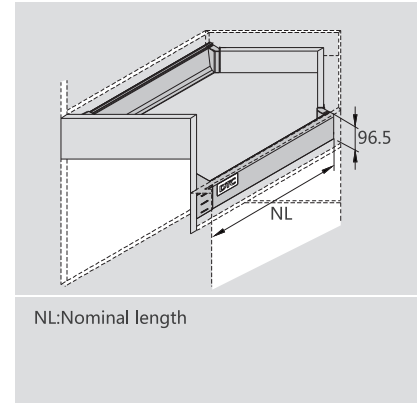
PRODUCT



DESCRIPTION

- Concealed, full extension
- Dynamic load capacity: 30/40/50kg
- Tool free assembly and removal of drawer
- Silent system guarantees smooth run without noise
- Up&down adjustment, left&right adjustment
- Finish: White(E01), silver grey(E18), stainless steel(F04)

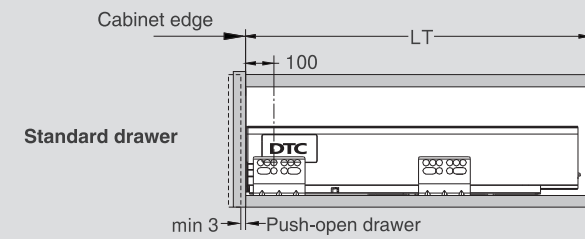
SPACE REQUIREMENT



PLANNING

Installation Dimensions(mm)

NL=Nominal Slide Length
LT=Internal Cabinet Depth
LT=NL+3



Cabinet Configuration

Cabinet widths/KB(mm)	Cabinet widths/KB(mm)	Stabilizer recommended
300		
350		
400		
450		
500		
600		
800	800	
900	900	
1000	1000	
1200	1200	

LOWER CORNER DRAWER FOR WOOD DRAWER BACK

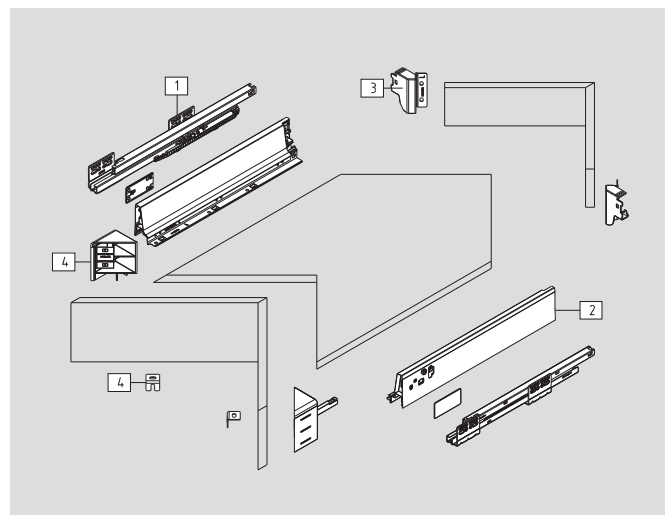
Kit Package				
White(E01)! Silver Grey(E18)! Stainless Steel(F04)				
NL	Soft close item No.	Push-open item No.	Set/ctn	
450mm	MM014504N	MM314504N	1	
500mm	MM015004N	MM315004N	1	
550mm	MM015504N	MM315504N	1	
600mm	MM016004N	MM316004N	1	
650mm	MM016504N	MM316504N	1	

1 Slides (left/right) / Industrial Package				
Pre-zinc Steel (F02)				
NL	Soft close item No.	Push-open item No.	Set/ctn	
450mm	M014504H	M314504H	5	
500mm	M015004H	M315004H	5	
550mm	M015504H	M315504H	5	
600mm	M016004H	M316004H	5	
650mm	M016504H	M316504H	5	

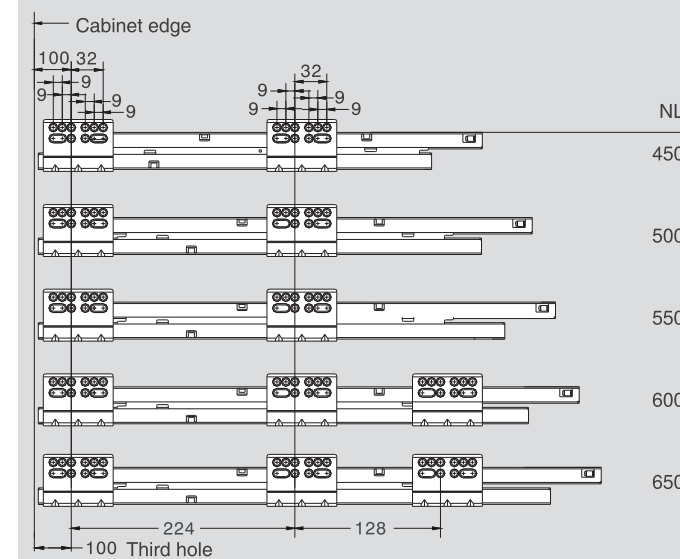
2 Drawer Sides and Cover Caps (left/right) /Industrial Package		
White(E01)! Silver Grey(E18)! Stainless Steel(F04)		
NL	item No.	Set/ctn
450mm	MM01450	5
500mm	MM01500	5
550mm	MM01550	5
600mm	MM01600	5
650mm	MM01650	5

4 Front Fixing-brackets (left/right) /Industrial Package		
White(H03)! Silver Grey(H12)		
item No.	Set/ctn	
M01017	60	

3 Back Fixing-brackets (left/right) / Industrial Package		
White(E01)! Silver Grey(E18)! Chrome Plated(C01)		
item No.	Set/ctn	
M01037	60	

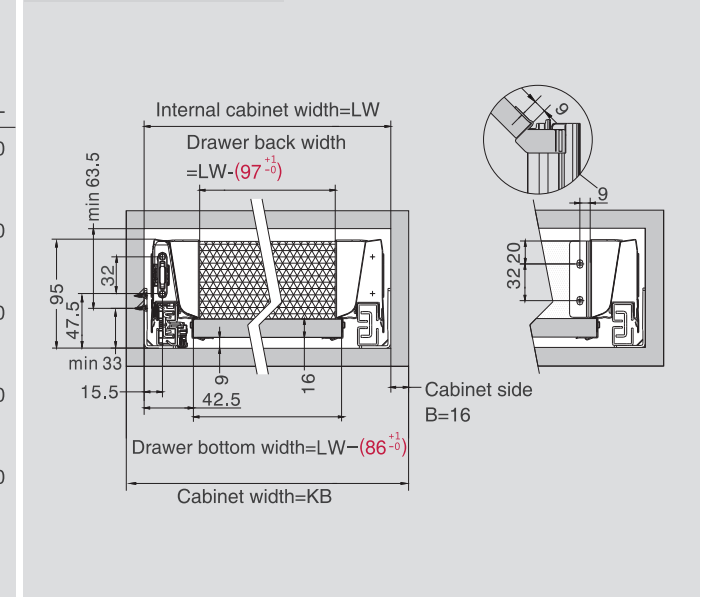


Screw Positions of the Slides(mm)



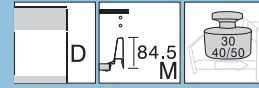
Installation Dimensions(mm)

LW=Internal Cabinet Width



Drawer Front,Back and Bottom Dimensions(mm)

<p>Drawer Front</p>	<p>Back 84mm</p>	<p>Bottom Wood back (NL-7) + (LW-86) ÷ 2</p>
<p>Wood back panel</p>	<p>Wood bottom</p>	<p>KB Cabinet width LW Internal cabinet width NL Nominal length</p>



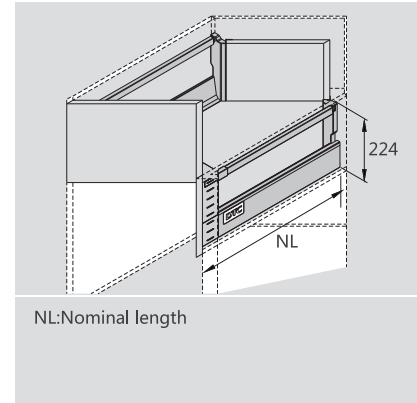
PRODUCT



DESCRIPTION

- Concealed, full extension
- Dynamic load capacity: 30/40/50kg
- Tool free assembly and removal of drawer
- Silent system guarantees smooth run without noise
- Up&down adjustment, left&right adjustment
- Finish: White(E01), silver grey(E18), stainless steel(F04)

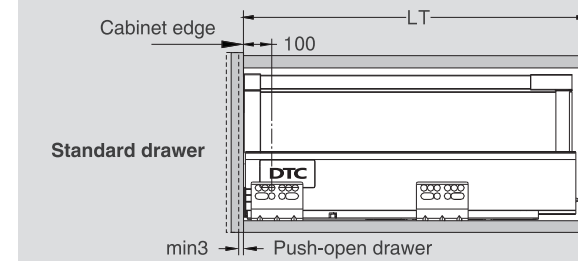
SPACE REQUIREMENT



PLANNING

Installation Dimensions(mm)

NL=Nominal Slide Length
LT=Internal Cabinet Depth
LT=NL+3



Cabinet Configuration

Cabinet widths/KB(mm)	Cabinet widths/KB(mm)	Stabilizer recommended
300		
350		
400		
450		
500		
600		
800	800	
900	900	
1000	1000	
1200	1200	

HIGH CORNER DRAWER WITH SINGLE SQUARE RAILING FOR WOOD DRAWER BACK

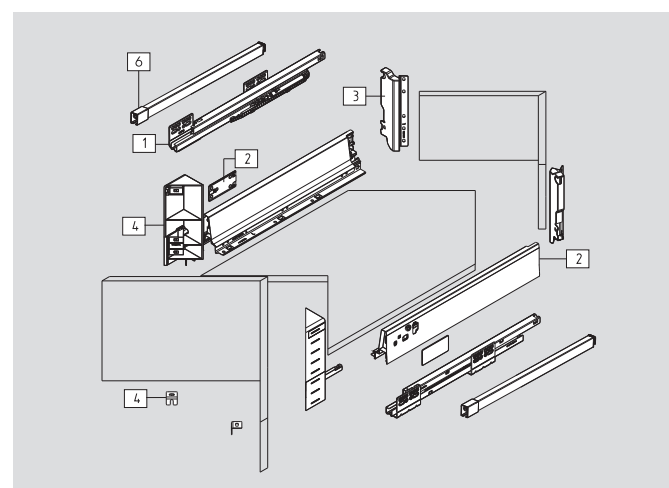
Kit Package				
White(E01)! Silver Grey(E18)! Stainless Steel(F04)				
NL	Soft close item No.	Push-open item No.	Set/ctn	
450mm	MM014504PP	MM314504PP	1	
500mm	MM015004PP	MM315004PP	1	
550mm	MM015504PP	MM315504PP	1	
600mm	MM016004PP	MM316004PP	1	
650mm	MM016504PP	MM316504PP	1	

1 Slides (left/right) / Industrial Package				
Pre-zinc Steel (F02)				
NL	Soft close item No.	Push-open item No.	Set/ctn	
450mm	M014504H	M314504H	5	
500mm	M015004H	M315004H	5	
550mm	M015504H	M315504H	5	
600mm	M016004H	M316004H	5	
650mm	M016504H	M316504H	5	

2 Drawer Sides and Cover Caps (left/right) /Industrial Package			
White(E01)! Silver Grey(E18)! Stainless Steel(F04)			
NL	item No.	Set/ctn	
450mm	MM01450	5	
500mm	MM01500	5	
550mm	MM01550	5	
600mm	MM01600	5	
650mm	MM01650	5	

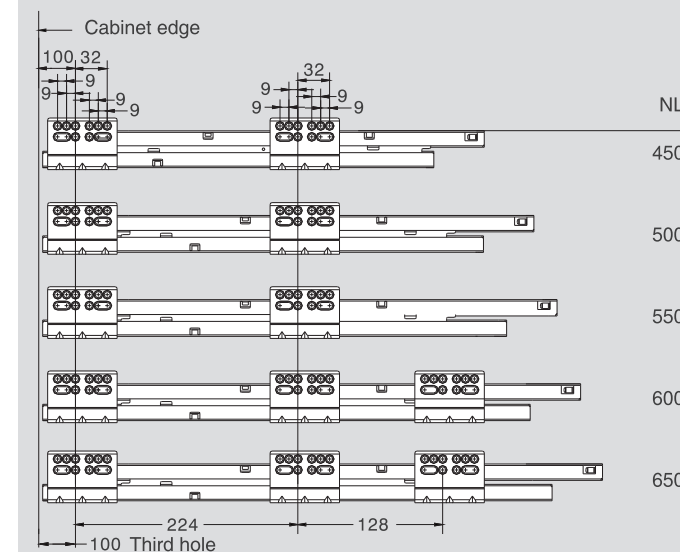
6 Square Side Rails (left/right) / Industrial Package			
White(E01)! Silver Grey(E18)! Chrome Plated(C01)			
NL	item No.	Set/ctn	
450mm	M0104J450	60	
500mm	M0104J500	60	
550mm	M0104J550	60	
600mm	M0104J600	60	
650mm	M0104J650	60	

3 Back Fixing-brackets (left/right) / Industrial Package		
White(E01)! Silver Grey(E18)! Chrome Plated(C01)		
item No.	Set/ctn	
M01038	20	



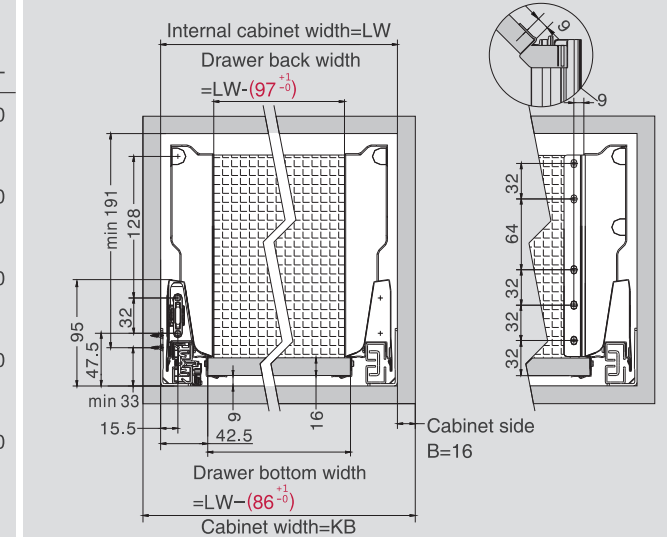
4 Front Fixing-brackets (left/right) /Industrial Package		
White(H03)! Silver Grey(H12)		
item No.	Set/ctn	
M0101L	20	

Screw Positions of the Slides(mm)

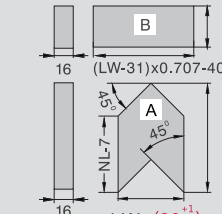
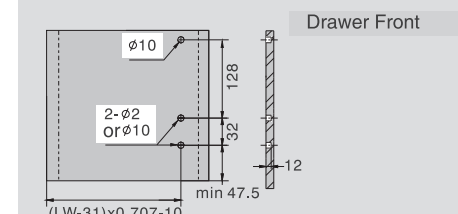


Installation Dimensions(mm)

LW=Internal Cabinet Width



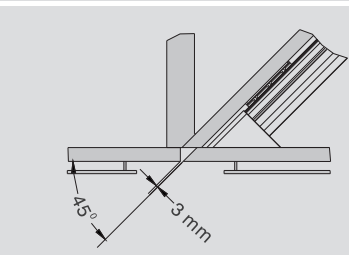
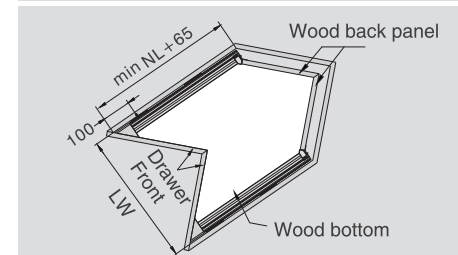
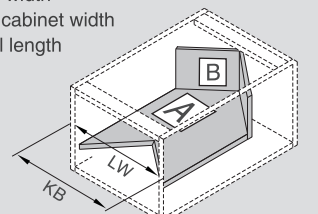
Drawer Front,Back and Bottom Dimensions(mm)

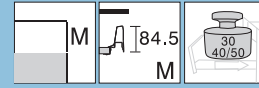


Back
199mm

Bottom
Wood back
(NL-7) + (LW-86) ÷ 2

KB Cabinet width
LW Internal cabinet width
NL Nominal length





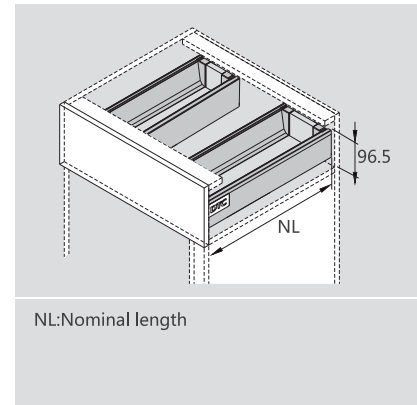
PRODUCT



DESCRIPTION

- Concealed, full extension
- Dynamic load capacity: 30/40/50kg
- Tool free assembly and removal of drawer
- Silent system guarantees smooth run without noise
- Up&down adjustment, left&right adjustment
- Finish: White(E01), silver grey(E18), stainless steel(F04)

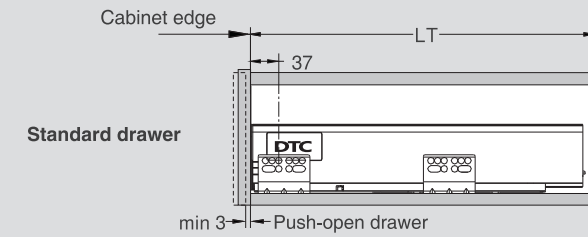
SPACE REQUIREMENT



PLANNING

Installation Dimensions(mm)

NL=Nominal Slide Length
LT=Internal Cabinet Depth
LT=NL+3



Cabinet Configuration

Cabinet widths/KB(mm)	Cabinet widths/KB(mm)	Stabilizer recommended
300		
350		
400		
450		
500		
600		
800	800	
900	900	
1000	1000	
1200	1200	

LOWER SINK DRAWER FOR WOOD DRAWER BACK

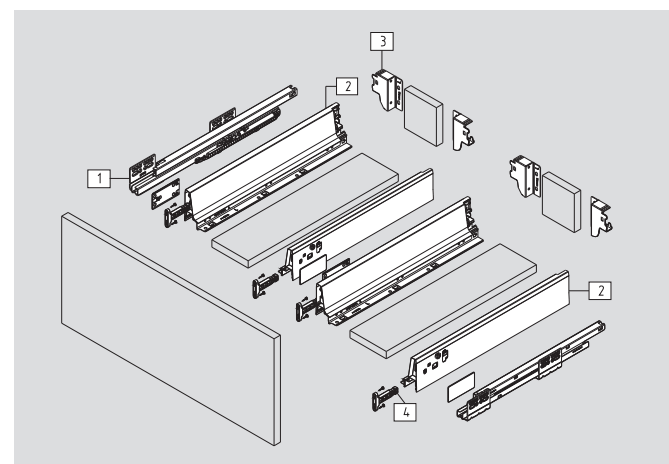
Kit Package			
White(E01)! Silver Grey(E18)! Stainless Steel(F04)			
NL	Soft close item No.	Push-open item No.	Set/ctn
450mm	MM014504G	MM314504G	1
500mm	MM015004G	MM315004G	1
550mm	MM015504G	MM315504G	1
600mm	MM016004G	MM316004G	1
650mm	MM016504G	MM316504G	1

Slides (left/right) / Industrial Package			
Pre-zinc Steel (F02)			
NL	Soft close item No.	Push-open item No.	Set/ctn
450mm	M014504H	M314504H	5
500mm	M015004H	M315004H	5
550mm	M015504H	M315504H	5
600mm	M016004H	M316004H	5
650mm	M016504H	M316504H	5

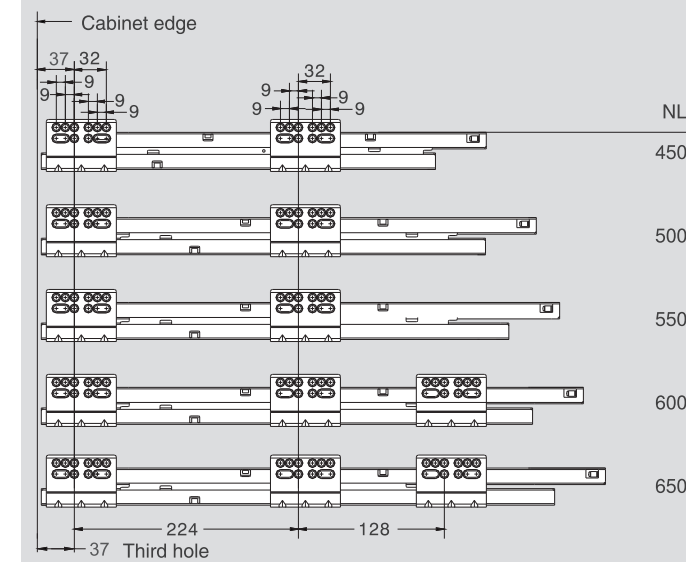
Drawer Sides and Cover Caps (left/right) /Industrial Package		
White(E01)! Silver Grey(E18)! Stainless Steel(F04)		
NL	item No.	Set/ctn
450mm	MM01450	5
500mm	MM01500	5
550mm	MM01550	5
600mm	MM01600	5
650mm	MM01650	5

Front Fixing-brackets (left/right) /Industrial Package		
Zinc Plated (B01)		
	item No.	Set/ctn
Screw-on	M01011	120
Press-in	M01016	120

Back Fixing-brackets (left/right) / Industrial Package		
White(E01)! Silver Grey(E18)! Chrome Plated(C01)		
	item No.	Set/ctn
	M01031	60

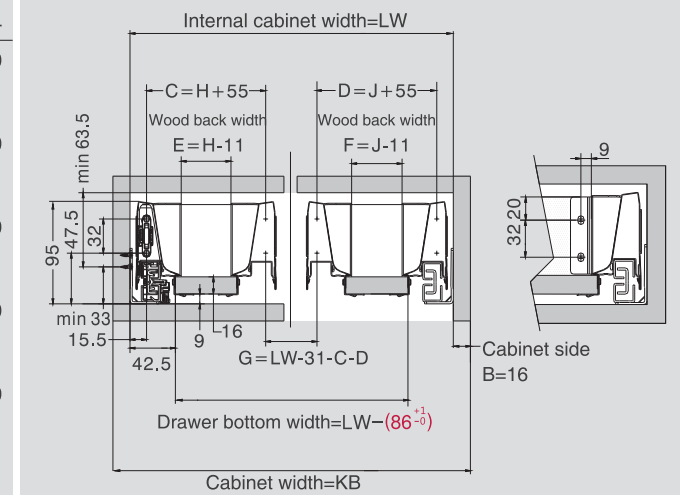


Screw Positions of the Slides(mm)

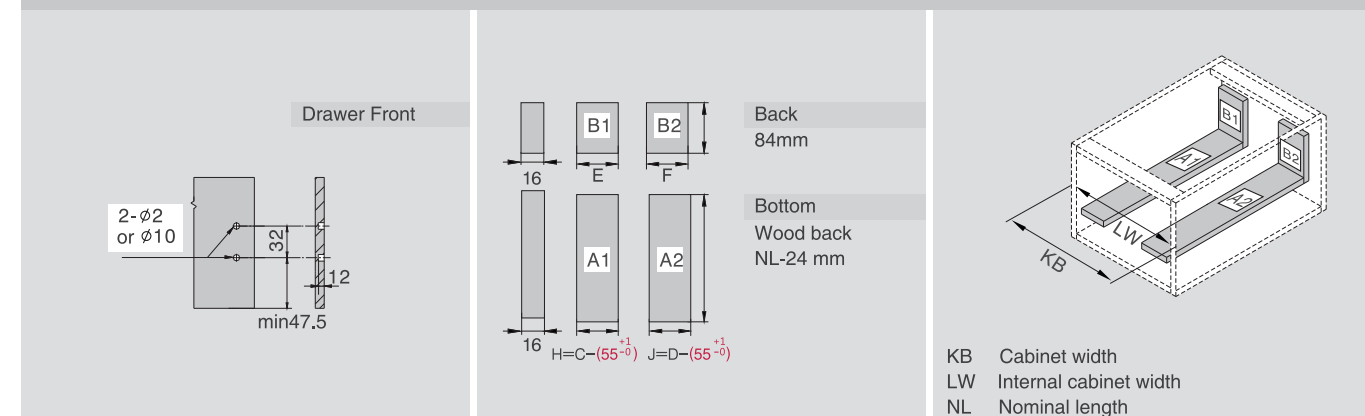


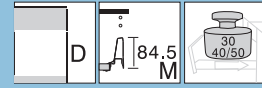
Installation Dimensions(mm)

LW=Internal Cabinet Width



Drawer Front,Back and Bottom Dimensions(mm)





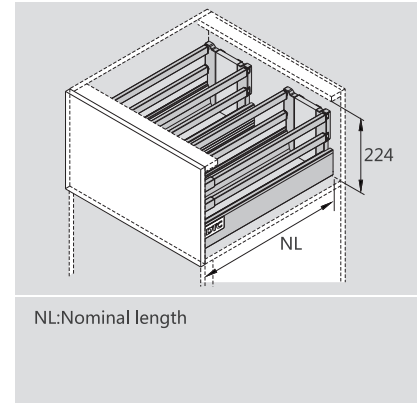
PRODUCT



DESCRIPTION

- Concealed, full extension
- Dynamic load capacity: 30/40/50kg
- Tool free assembly and removal of drawer
- Silent system guarantees smooth run without noise
- Up&down adjustment, left&right adjustment
- Finish: White(E01), silver grey(E18), stainless steel(F04)

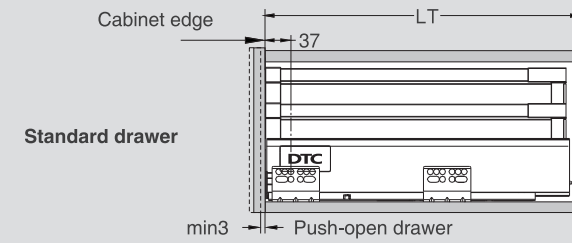
SPACE REQUIREMENT



PLANNING

Installation Dimensions(mm)

NL=Nominal Slide Length
LT=Internal Cabinet Depth
LT=NL+3



Cabinet Configuration

Cabinet widths/KB(mm)	Cabinet widths/KB(mm)	Stabilizer recommended
300		
350		
400		
450		
500		
600		
800	800	
900	900	
1000	1000	
1200	1200	

HIGH SINK DRAWER WITH DOUBLE SQUARE RAILING FOR WOOD DRAWER BACK

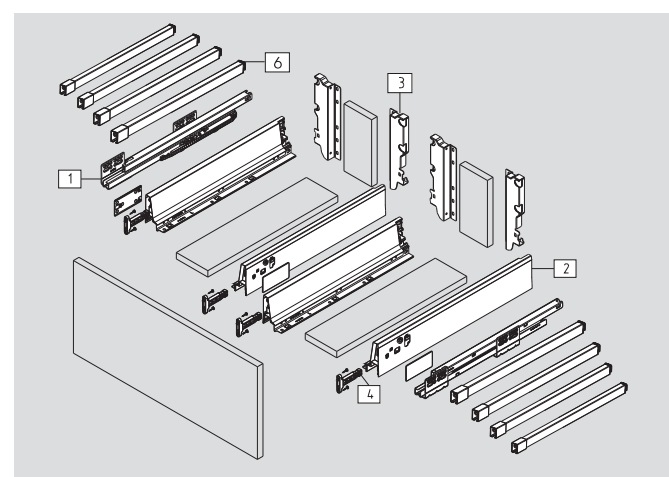
Kit Package				
White(E01)! Silver Grey(E18)! Stainless Steel(F04)				
NL	Soft close item No.	Push-open item No.	Set/ctn	
450mm	MM014504KK	MM314504KK	1	
500mm	MM015004KK	MM315004KK	1	
550mm	MM015504KK	MM315504KK	1	
600mm	MM016004KK	MM316004KK	1	
650mm	MM016504KK	MM316504KK	1	

1 Slides (left/right) / Industrial Package				
Pre-zinc Steel (F02)				
NL	Soft close item No.	Push-open item No.	Set/ctn	
450mm	M014504H	M314504H	5	
500mm	M015004H	M315004H	5	
550mm	M015504H	M315504H	5	
600mm	M016004H	M316004H	5	
650mm	M016504H	M316504H	5	

2 Drawer Sides and Cover Caps (left/right) /Industrial Package		
White(E01)! Silver Grey(E18)! Stainless Steel(F04)		
NL	item No.	Set/ctn
450mm	MM01450	5
500mm	MM01500	5
550mm	MM01550	5
600mm	MM01600	5
650mm	MM01650	5

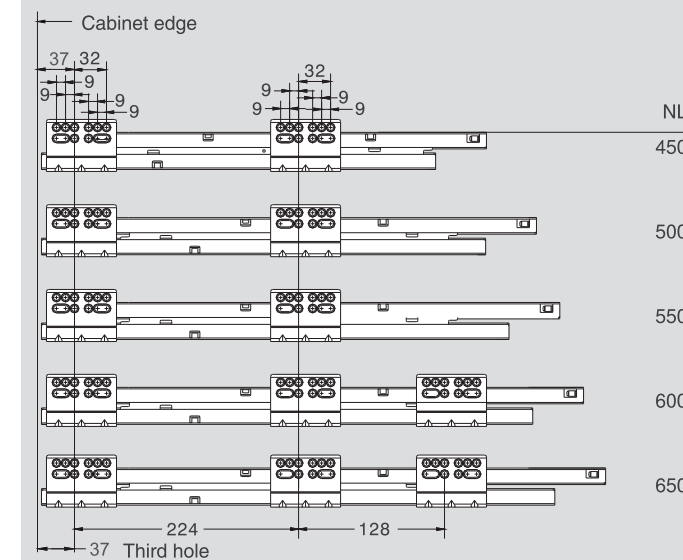
6 Square Side Rails (left/right) / Industrial Package		
White(E01)! Silver Grey(E18)! Chrome Plated(C01)		
NL	item No.	Set/ctn
450mm	M0104S450	60
500mm	M0104S500	60
550mm	M0104S550	60
600mm	M0104S600	60
650mm	M0104S650	60

3 Back Fixing-brackets (left/right) / Industrial Package		
White(E01)! Silver Grey(E18)! Chrome Plated(C01)		
item No.	Set/ctn	
M01033	20	



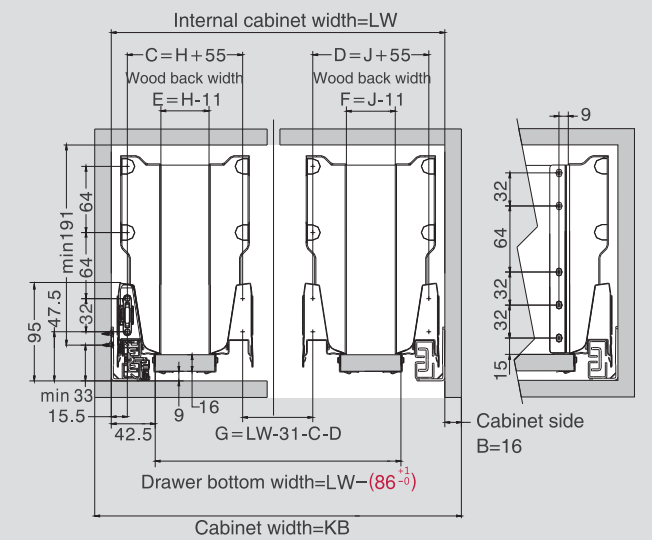
4 Front Fixing-brackets (left/right) /Industrial Package		
Zinc Plated (B01)		
item No.	Set/ctn	
Screw-on M01011	120	
Press-in M01016	120	

Screw Positions of the Slides(mm)

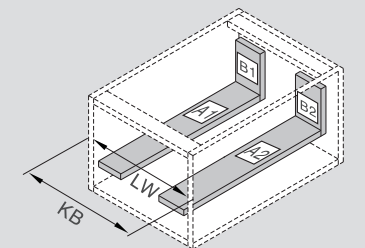
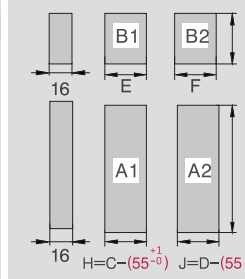
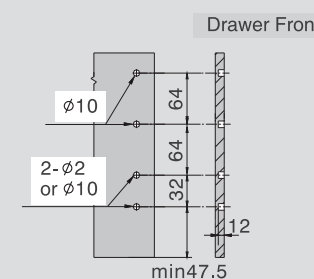


Installation Dimensions(mm)

LW=Internal Cabinet Width



Drawer Front,Back and Bottom Dimensions(mm)



KB Cabinet width
LW Internal cabinet width
NL Nominal length



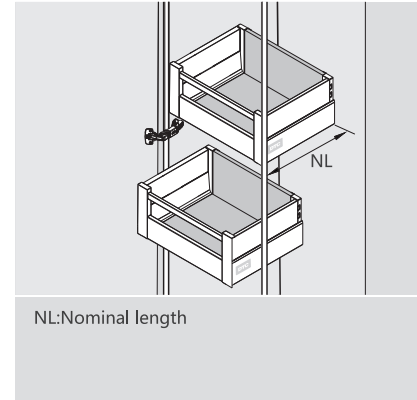
PRODUCT



DESCRIPTION

- Concealed, full extension
- Dynamic load capacity: 30/40/50kg
- Tool free assembly and removal of drawer
- Silent system guarantees smooth run without noise
- Up&down adjustment, left&right adjustment
- Finish: White(E01), silver grey(E18), stainless steel(F04)

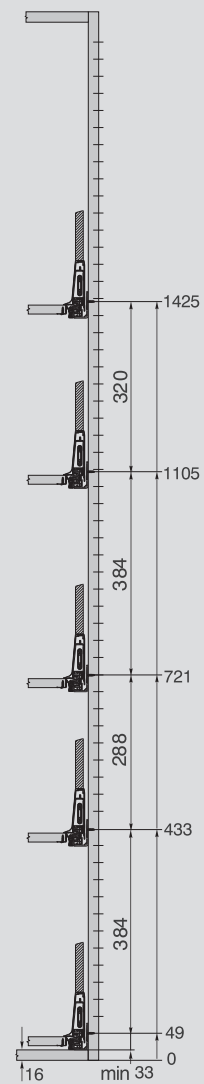
SPACE REQUIREMENT



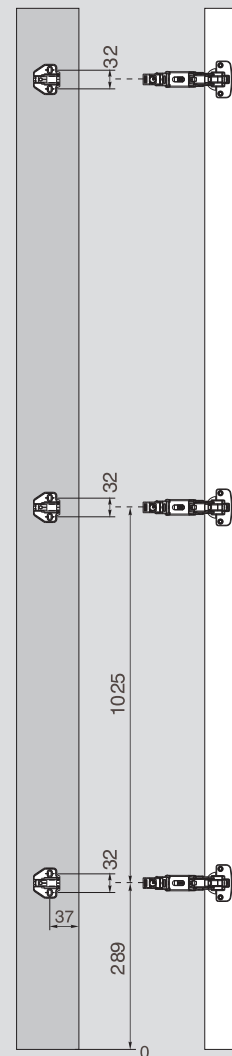
DRAWER FOR LARDER UNIT

Inner drawer recommendation			
See page	206	210	214
Door hinge recommendation			
Snap-on Soft close Hinge 155° (Cam-adjustable)	44		

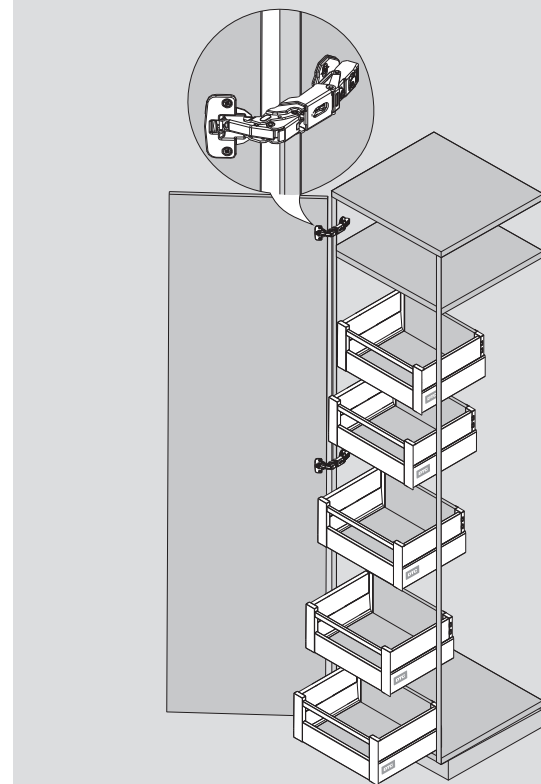
Space requirement in cabinet



Cabinet drilling dimensions(mm)



All dimensions are aligned with the 32mm system.
1st system drilling based on cabinet base 16mm and bottom gap=0mm.



We are continuously developing new products.
For updated product information, please log onto www.dtcctc.com