

LIFTING  
SYSTEM  
SQ Series  
**TOP-STAYS**



# TOP-STAYS

The new experience of the lift-up door

**Agile and Unconstrained,  
Innovation and Ingenuity**



- A rigorous mechanical design, adjustable opening and hovering forces and closing speed
- A superb manufacturing process, gentle and quiet closing
- Stylish design with single and dual-colour cover caps



Quietness



Intelligence



Durability



Eco-Friendliness



The TOP-STAYS SQ series provides powerful features and excellent performance with easy assembly, 4D adjustment, easy opening, variable stop position and a fashionable design for modern kitchens.

**DTC**  
Global Quality Benchmark

# TOP-STAYS

## SQ Series Lifting System

Smooth and unconstrained, comfortable and elegant  
— An entirely new experience of lift-up



The SQ lift-up support lifts the single door upwards making it suitable for wall cabinets as well as high cabinets.  
Places of application: Kitchen, living room, office and bathroom

- Opening angle 107°, making it possible to easily take without any constraint the articles inside the cabinet
- Silent and smooth closing
- Easy to open and stays at any desired position
- Adjustable soft-closing speed
- Adjustable opening and hovering forces
- Snap-fit mechanism makes installation and dismantling very easy
- Stylish design with single and dual-colour cover caps
- Suitable for wall cabinets with cornice
- High stability, even with wide doors

Opening and closing – Gentle and unconstrained



Easy to open

Opening angle 107°

Soft-closing and stays at any desired angle

The outstanding points



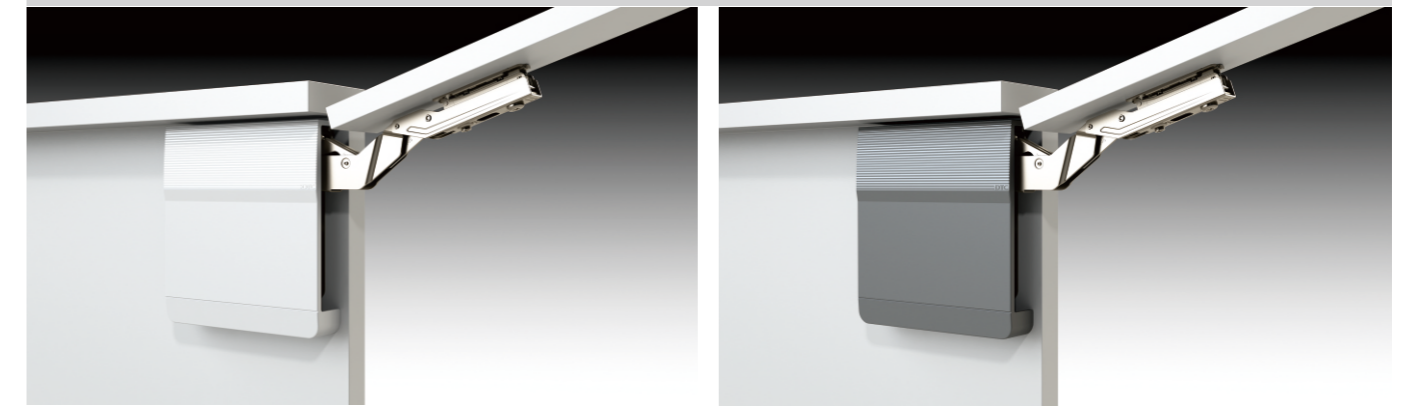
Seamless closing

Door position: 3D adjustable

Personal decorative cover

### CUSTOMIZED COVER CAPS

Single caps series



white

grey

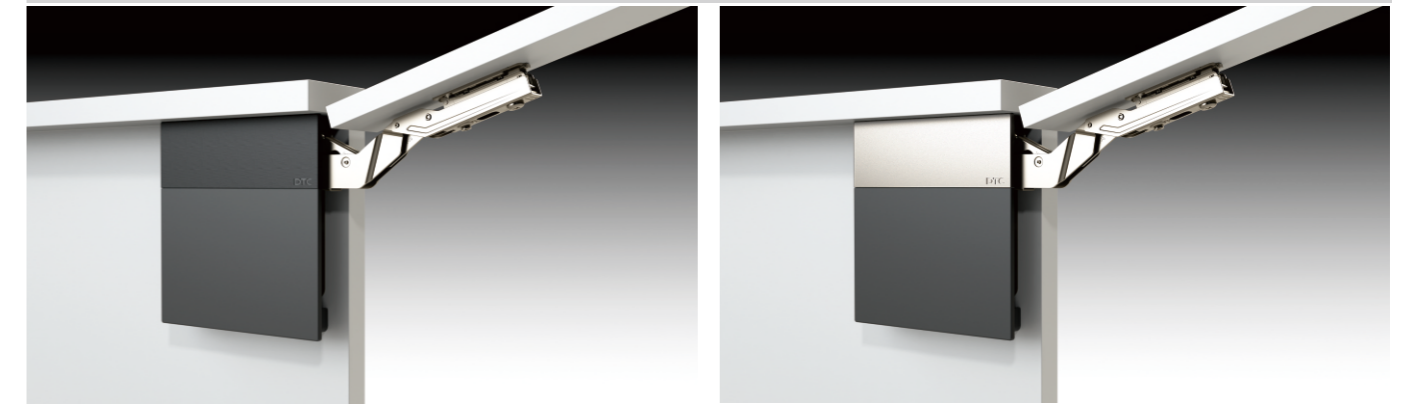
Dual-colour caps series



white+ light grey

white+ nickel plated

Dual-colour caps series



grey+ dark grey

grey+ nickel plated

### PRODUCT



### DESCRIPTION

- Opening angle:107°
- Cabinet width up to 1200mm
- Cabinet height:250~600mm
- Door thickness:16~28mm
- 3D door adjustments:  
Height adjustment:+/-2mm,  
Depth adjustment:+/-2mm,  
Side adjustment:+/-2mm,
- Easy to open, and stays at any desired position
- Adjustable hovering forces
- Tool free assembly and removal
- Single and dual-colour caps at your disposal

#### Power factor LF=

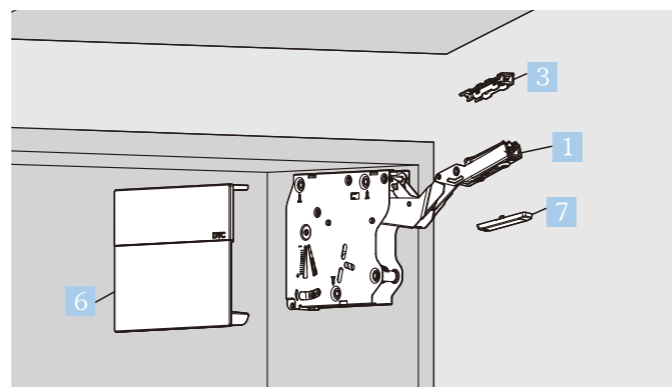
Cabinet height KH(mm) x door weight incl. double handle weight(kg)

Note: The power factor LF and the door weight can be increased by 50% when a third lift mechanism is used.

### ORDER INFORMATION

1		Lift Mechanism set/ Industrial Package Opening angle:107°			
		Power Factor LF Dynamic	Item No.	Set/ctn	
		480-1250	Light	<b>SQ02BL</b>	10
		960-2350	Medium	<b>SQ02BM</b>	10
		1600-3600	Strong	<b>SQ02BH</b>	10
		2500-4500	Extra Strong	<b>SQ02BC</b>	10
3		Front Fixing-brackets set/Industrial Package For Wooden Door and Wide Alu Frames			
		Nickel Plated(A01)			
		Item No.	Set/ctn		
		<b>SQ00YQ</b>	200		
5		Single Caps(left/right) / Industrial Package Plastic			
		Colour	Item No.	Set/ctn	
		White	<b>SQJS03A</b>	20	
		Grey	<b>SQJS03B</b>	20	
7		Decoration cover for hinge arm /Industrial Package Nickel Plated(A01)			
		Item No.	Set/ctn		
		<b>S15H</b>	4000		

2		Opening angle restriction clip / Industrial Package Plastic		
		100°	Dark Grey(H11)	
4		Narrow Alu Frame fixing-brackets set Industrial Package For Narrow Alu Frames Nickel Plated(A01)		
		Item No.	Set/ctn	
		<b>SQ00H</b>	100	
		10 pcs Φ3.5X8.5mm countersunk screws included		
6		Dual-colour Caps(left/right) / Industrial Package Plastic		
		Colour	Item No.	Set/ctn
		White+ light grey	<b>SQJS04A</b>	20
		Grey+ dark grey	<b>SQJS04B</b>	20
		White+ nickel plated	<b>SQJS04C</b>	20
		Grey+ nickel plated	<b>SQJS04D</b>	20



### ORDER INFORMATION

#### T1 Single Caps-Recommended Kit Package

Including:

1x lift mechanism set	1x single caps set	1x front fixing-brackets set	2 X Decoration cover for hinge arm	6x wooden screw Ø4X38mm	4x wooden screw Ø4X16mm

Please select the corresponding kit package item No. according to power factor and cabinet height

Power Factor(LF)	Cabinet Height	Kit package item No.(white single caps)	Kit package item No.(grey single caps)
480-1250	250-400mm	<b>SQ02BL03A</b>	<b>SQ02BL03B</b>
960-2350	250-500mm	<b>SQ02BM03A</b>	<b>SQ02BM03B</b>
1600-3600	250-500mm	<b>SQ02BH03A</b>	<b>SQ02BH03B</b>
2500-4500	350-600mm	<b>SQ02BC03A</b>	<b>SQ02BC03B</b>

#### T2 Dual-colour Caps-Recommended Kit Package

Including:

1x lift mechanism set	1x dual-colour caps set	1x front fixing-brackets set	2 X Decoration cover for hinge arm	6x wooden screw Ø4X38mm	4x wooden screw Ø4X16mm

Please select the corresponding kit package item No. according to power factor and cabinet height

Power Factor(LF)	Cabinet Height	Kit package item No.(White+ light grey caps)	Kit package item No.(Grey+ dark grey caps)
480-1250	250-400mm	<b>SQ02BL04A</b>	<b>SQ02BL04B</b>
960-2350	250-500mm	<b>SQ02BM04A</b>	<b>SQ02BM04B</b>
1600-3600	250-500mm	<b>SQ02BH04A</b>	<b>SQ02BH04B</b>
2500-4500	350-600mm	<b>SQ02BC04A</b>	<b>SQ02BC04B</b>

Please select the corresponding kit package item No. according to power factor and cabinet height

Power Factor(LF)	Cabinet Height	Kit package item No.(White+ nickel plated caps)	Kit package item No.(Grey+ nickel plated caps)
480-1250	250-400mm	<b>SQ02BL04C</b>	<b>SQ02BL04D</b>
960-2350	250-500mm	<b>SQ02BM04C</b>	<b>SQ02BM04D</b>
1600-3600	250-500mm	<b>SQ02BH04C</b>	<b>SQ02BH04D</b>
2500-4500	350-600mm	<b>SQ02BC04C</b>	<b>SQ02BC04D</b>

In the case of narrow alu frame application,order fixing-brackets SQ00H separately.

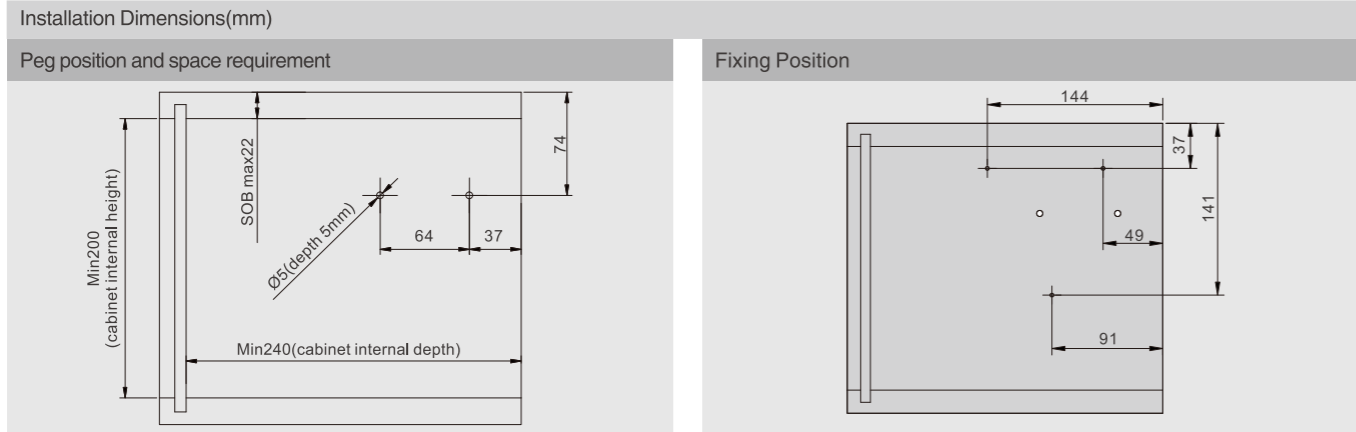
# TOP-STAYS

SQ Series Lifting System

# TOP-STAYS

Assembly, Removal and Adjustment(for SQ series Lifting System)

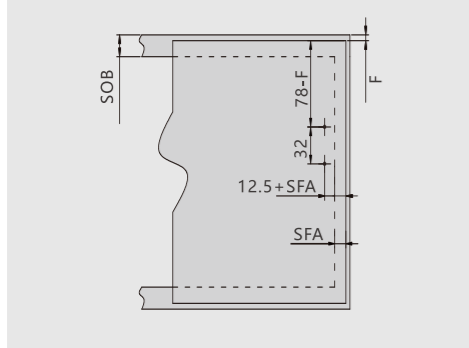
## PLANNING



SOB: top panel thickness

4x wooden screws Ø4X38mm

### Door planning and assembly- wooden doors and wide alu frames

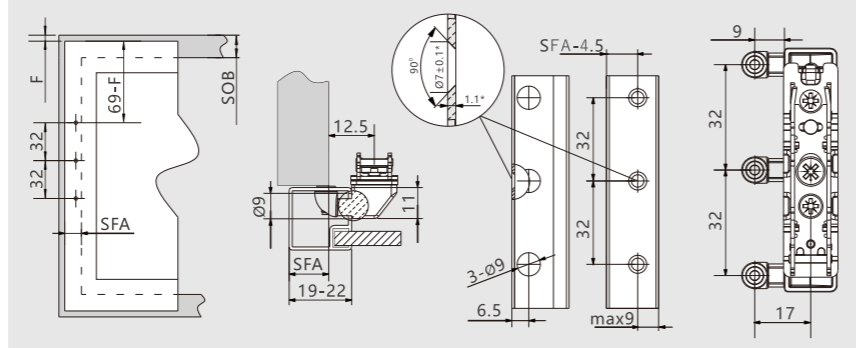


4 wooden screws for wooden doors (Ø4X16mm)

SFA: door overlay of the side panel

F: gap

### Door planning and assembly- narrow alu frames

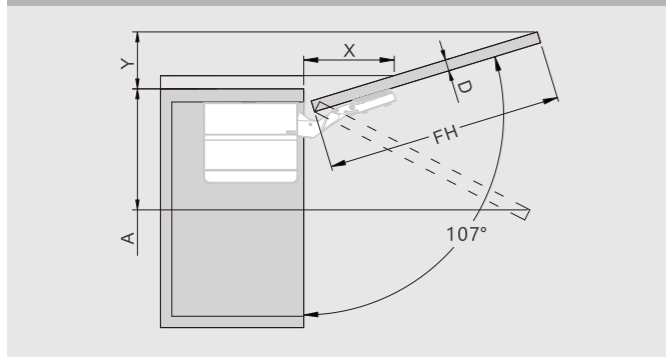


Frame width(mm)	19	20	21	22
SFA(mm)	15~19	16~20	17~21	18~22

10 countersunk screws for narrow alu frames (Φ3.5X8.5mm)

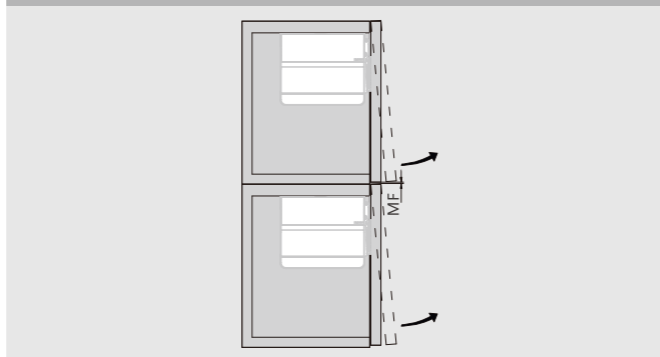
\*When changing material thickness, adjust the assembly dimensions accordingly

### Cornice/crown moulding clearance

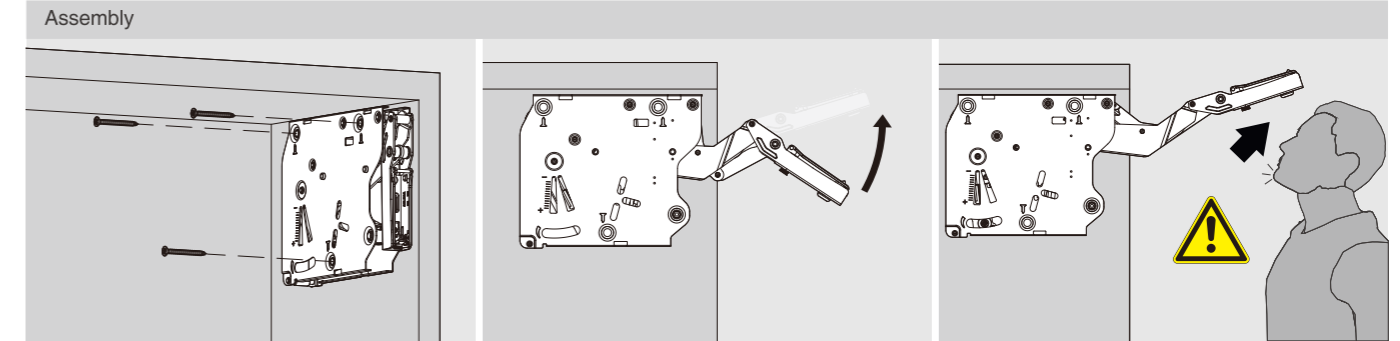


D(mm)	16	19	22	26	28
X(mm)	70	58	49	35	26
Opening angle restriction	Space requirement (mm)				
without	$Y = FH \times 0.29 - 15 + D$				
100°	$Y = FH \times 0.17 - 15 + D$				
75°	$A = FH \times 0.26 + 15 - D$				

### Minimum gap



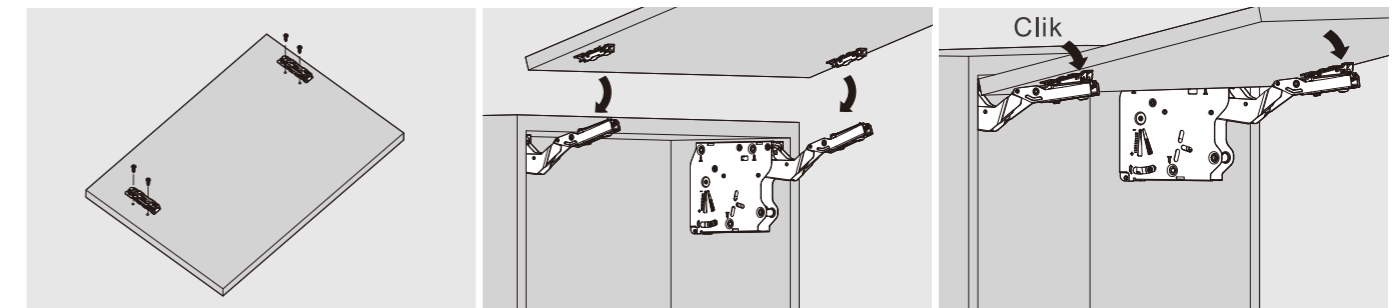
MF: Minimum gap 2mm



Assembly

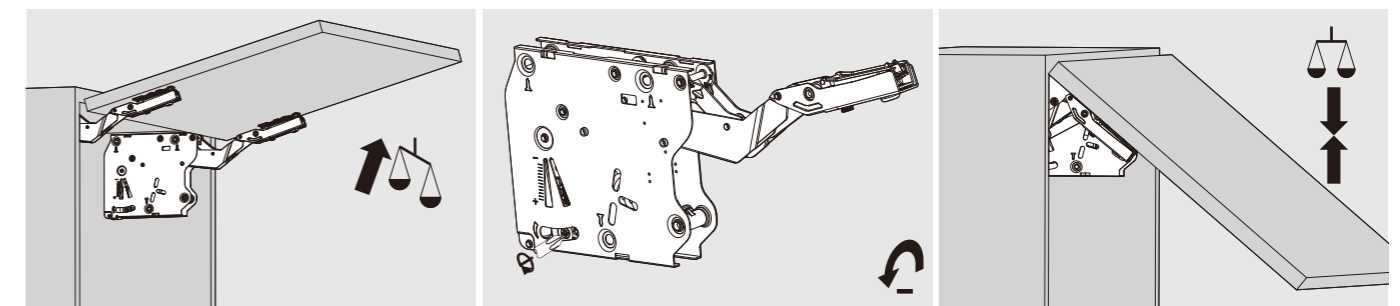
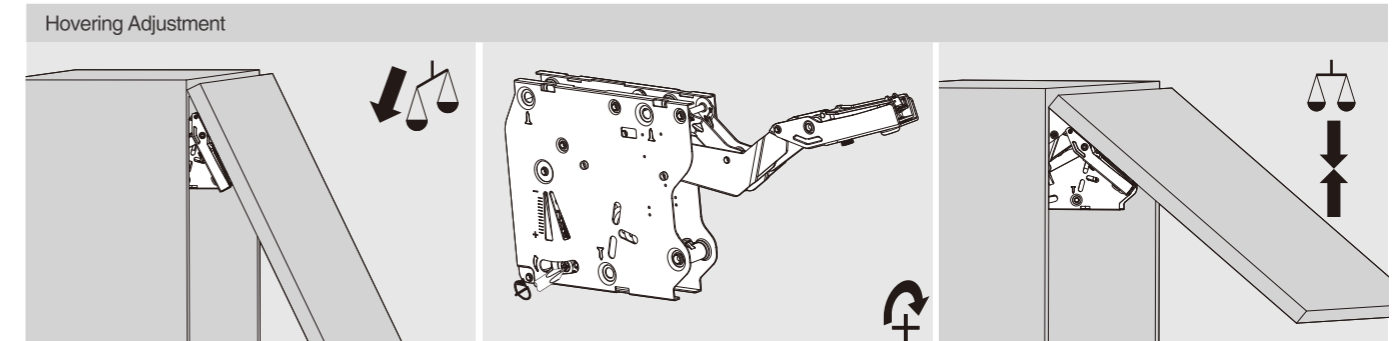
Caution when opening arm

The arm of this device could spring up and cause injury. Do not push the arm down without door attached.



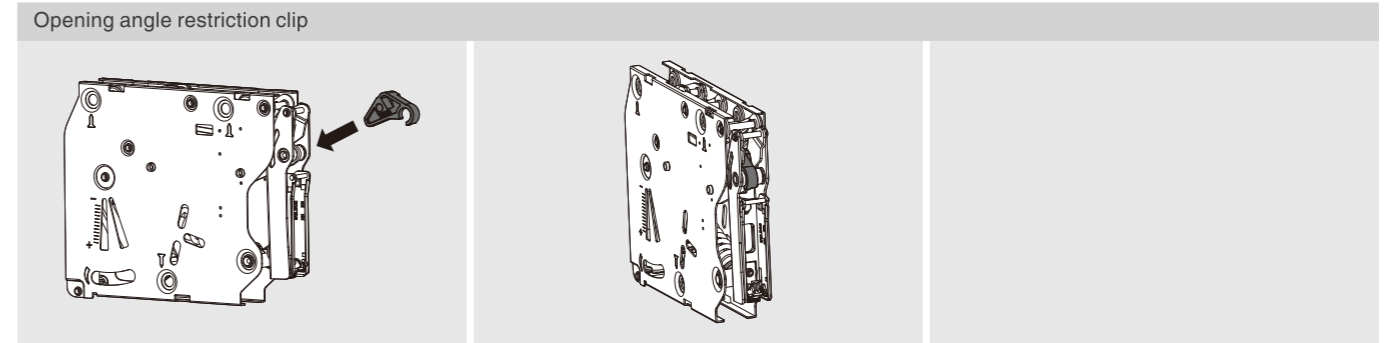
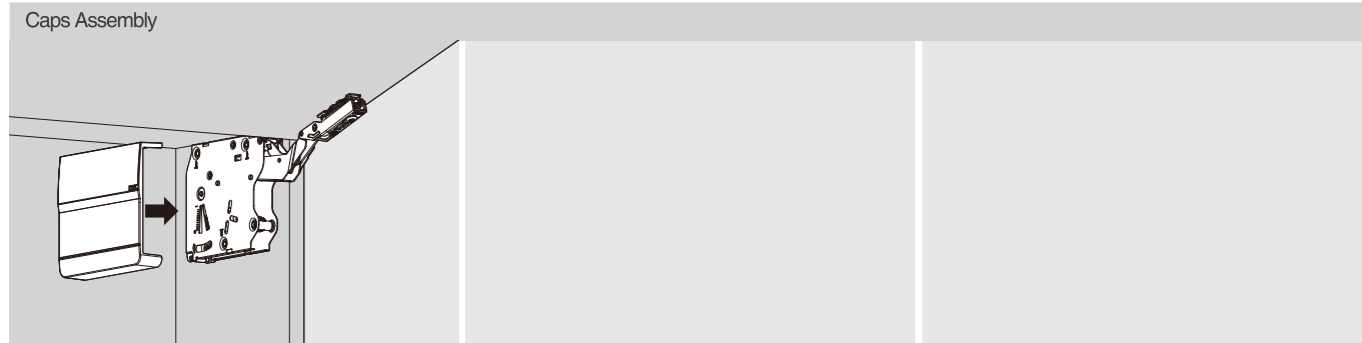
Panel Fastener Installation

Door Assembly

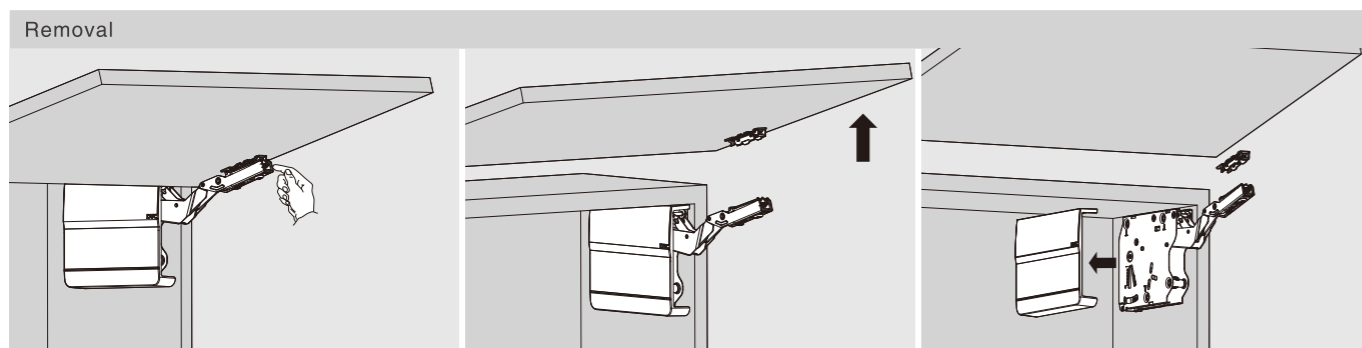
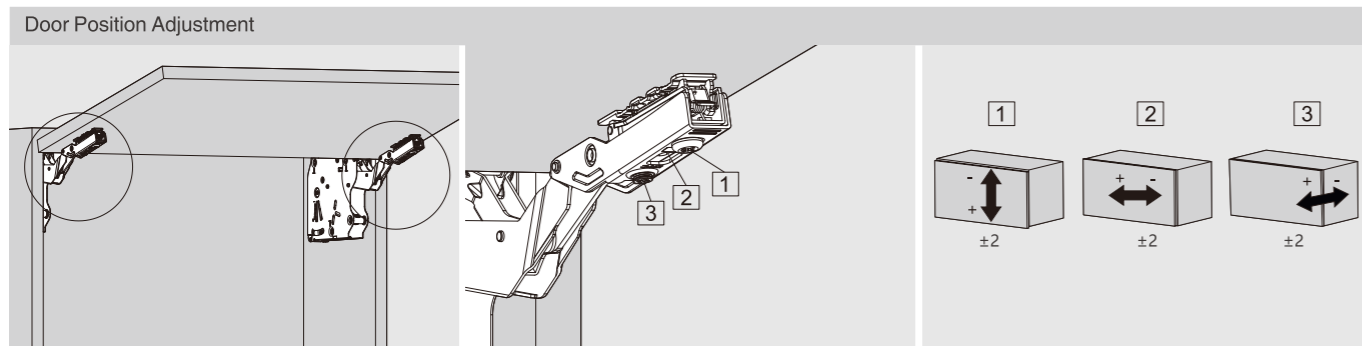


# TOP-STAYS

Assembly , Removal and Adjustment(for SQ series Lifting System)

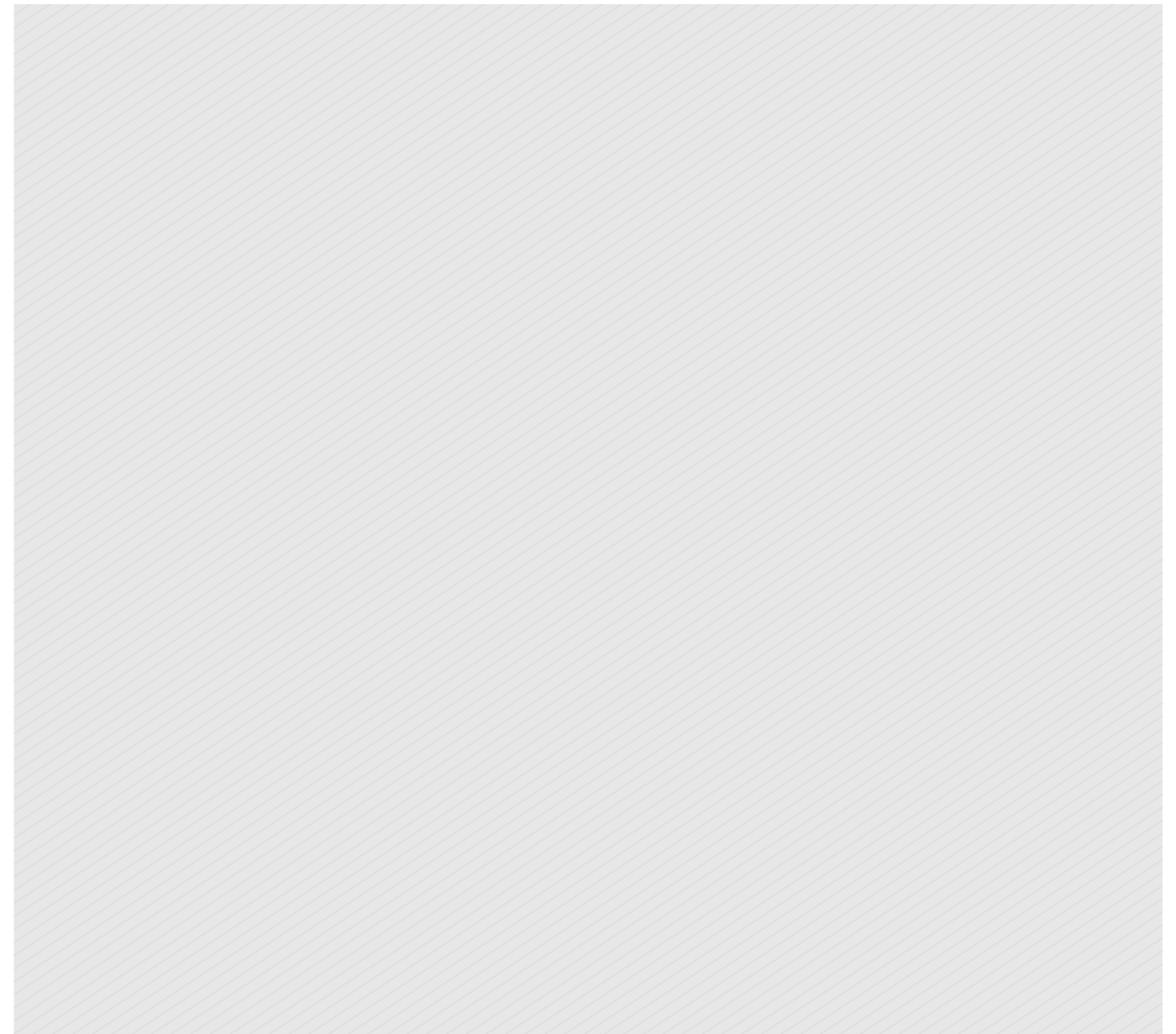


Assembly



The arm of this device could spring up and cause injury!

Do not push the arm down without door attached



### PRODUCT



### DESCRIPTION

- Opening angle:107°
- Cabinet width up to 1200mm
- Cabinet height:250~600mm
- Door thickness:16~28mm
- 3D door adjustments:  
Height adjustment:+/-2mm,  
Depth adjustment:+/-2mm,  
Side adjustment:+/-2mm,
- Handle-less, stays at any desired position
- Adjustable hovering forces
- Tool free assembly and removal
- Single and dual-colour caps at your disposal

#### Power factor LF=

Cabinet height KH(mm) x door weight incl. double handle weight(kg)

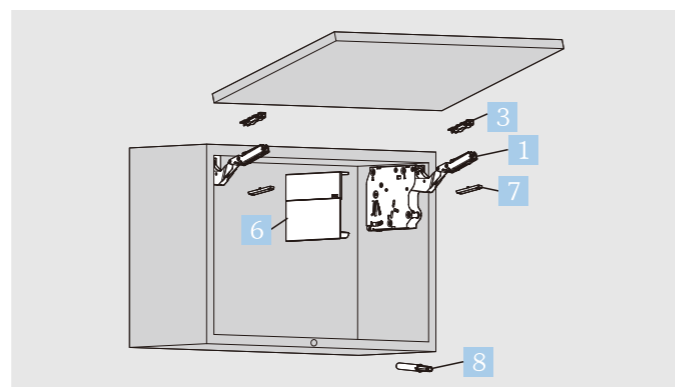
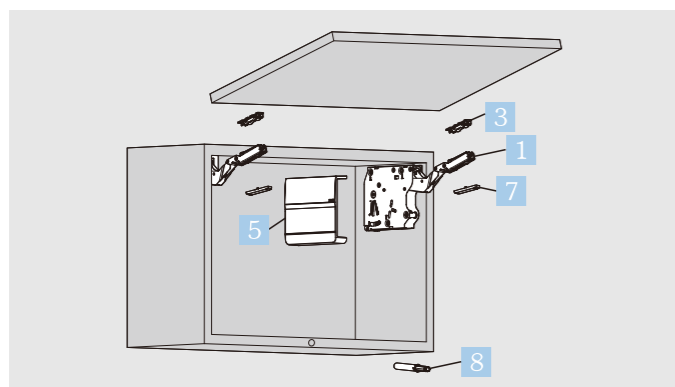
Note: The power factor LF and the door weight can be increased by 50% when a third lift mechanism is used.

### ORDER INFORMATION

1		Lift Mechanism set/ Industrial Package Opening angle:107°			
		Power Factor LF Dynamic	Item No.	Set/ctn	
		580-1350	Light	<b>SQ2FBL</b>	10
		1060-2450	Medium	<b>SQ2FBM</b>	10
		1800-4000	Strong	<b>SQ2FBH</b>	10
2600-5000	Extra Strong	<b>SQ2FBC</b>	10		
3		Front Fixing-brackets set/Industrial Package For Wooden Door and Wide Alu Frames			
		Nickel Plated(A01)	Item No.	Set/ctn	
			<b>SQ00YQ</b>	200	
5		Single Caps(left/right) / Industrial Package Plastic			
		Colour	Item No.	Set/ctn	
		White	<b>SQJS03A</b>	20	
		Grey	<b>SQJS03B</b>	20	
7		Decoration cover for hinge arm /Industrial Package Nickel Plated(A01)			
		Item No.	Set/ctn		
		<b>S15H</b>	4000		

2		Opening angle restriction clip / Industrial Package Plastic		
		100°	Dark Grey(H11)	
		75°		
		Opening angle	Item No.	Pcs/ctn
		100°	<b>SQW100</b>	1000
		75°	<b>SQW75</b>	1000
4		Narrow Alu Frame fixing-brackets set Industrial Package For Narrow Alu Frames		
		Nickel Plated(A01)	Item No.	Set/ctn
			<b>SQ00H</b>	100
		10 pcs Φ3.5X8.5mm countersunk screws included		
6		Dual-colour Caps(left/right) / Industrial Package Plastic		
		Colour	Item No.	Set/ctn
		White+ light grey	<b>SQJS04A</b>	20
		Grey+ dark grey	<b>SQJS04B</b>	20
		White+ nickel plated	<b>SQJS04C</b>	20
Grey+ nickel plated	<b>SQJS04D</b>	20		
8		Insert-type Magnetic Push Latch/Industrial Package		
		Item No.	Pcs/ctn	
		<b>MS-A011A</b>	200	

Alternative:Push Latch see page 200



### ORDER INFORMATION

#### T1 Single Caps-Recommended Kit Package

Including:

1x lift mechanism set	1x single caps set	1x front fixing-brackets set	2 X Decoration cover for hinge arm	1 X Insert-type Magnetic Push Latch	6x wooden screw Ø4X38mm	5x wooden screw Ø4X16mm

Please select the corresponding kit package item No. according to power factor and cabinet height

Power Factor(LF)	Cabinet Height	Kit package item No.(white single caps)	Kit package item No.(grey single caps)
580-1350	250-400mm	<b>SQ2FBL03A</b>	<b>SQ2FBL03B</b>
1060-2450	250-500mm	<b>SQ2FBM03A</b>	<b>SQ2FBM03B</b>
1800-4000	250-500mm	<b>SQ2FBH03A</b>	<b>SQ2FBH03B</b>
2600-5000	350-600mm	<b>SQ2FBC03A</b>	<b>SQ2FBC03B</b>

#### T2 Dual-colour Caps-Recommended Kit Package

Including:

1x lift mechanism set	1x dual-colour caps set	1x front fixing-brackets set	2 X Decoration cover for hinge arm	1 X Insert-type Magnetic Push Latch	6x wooden screw Ø4X38mm	5x wooden screw Ø4X16mm

Please select the corresponding kit package item No. according to power factor and cabinet height

Power Factor(LF)	Cabinet Height	Kit package item No.(White+ light grey caps)	Kit package item No.(Grey+ dark grey caps)
580-1350	250-400mm	<b>SQ2FBL04A</b>	<b>SQ2FBL04B</b>
1060-2450	250-500mm	<b>SQ2FBM04A</b>	<b>SQ2FBM04B</b>
1800-4000	250-500mm	<b>SQ2FBH04A</b>	<b>SQ2FBH04B</b>
2600-5000	350-600mm	<b>SQ2FBC04A</b>	<b>SQ2FBC04B</b>

Please select the corresponding kit package item No. according to power factor and cabinet height

Power Factor(LF)	Cabinet Height	Kit package item No.(White+ nickel plated caps)	Kit package item No.(Grey+ nickel plated caps)
580-1350	250-400mm	<b>SQ2FBL04C</b>	<b>SQ2FBL04D</b>
1060-2450	250-500mm	<b>SQ2FBM04C</b>	<b>SQ2FBM04D</b>
1800-4000	250-500mm	<b>SQ2FBH04C</b>	<b>SQ2FBH04D</b>
2600-5000	350-600mm	<b>SQ2FBC04C</b>	<b>SQ2FBC04D</b>

In the case of narrow alu frame application,order fixing-brackets SQ00H separately.

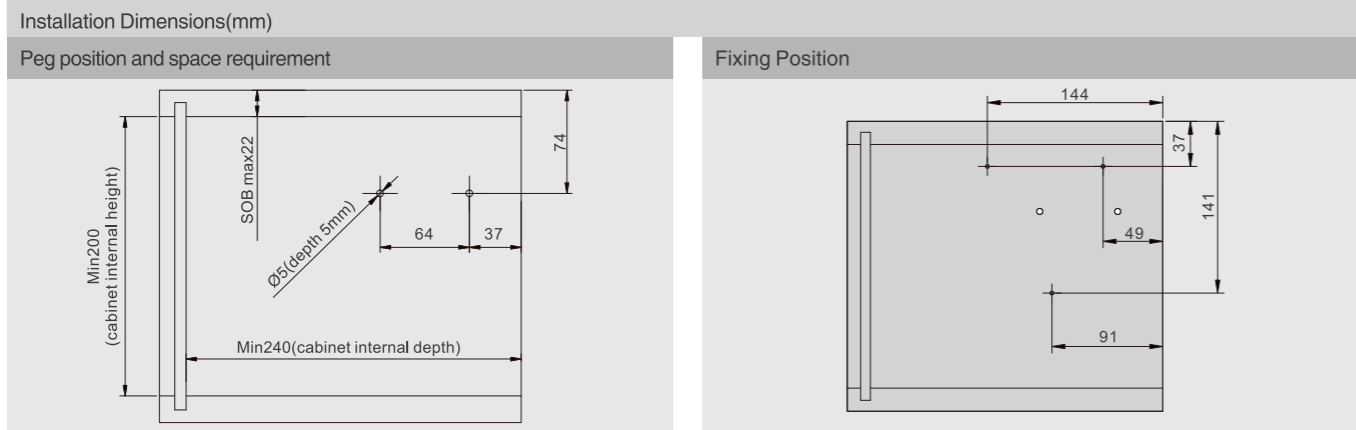
# TOP-STAYS

## SQ Series Push-open Lifting System

# TOP-STAYS

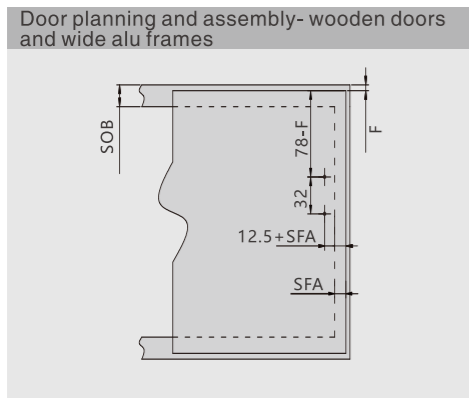
## Assembly , Removal and Adjustment(for SQ Series Push-open Lifting System)

### PLANNING



SOB: top panel thickness

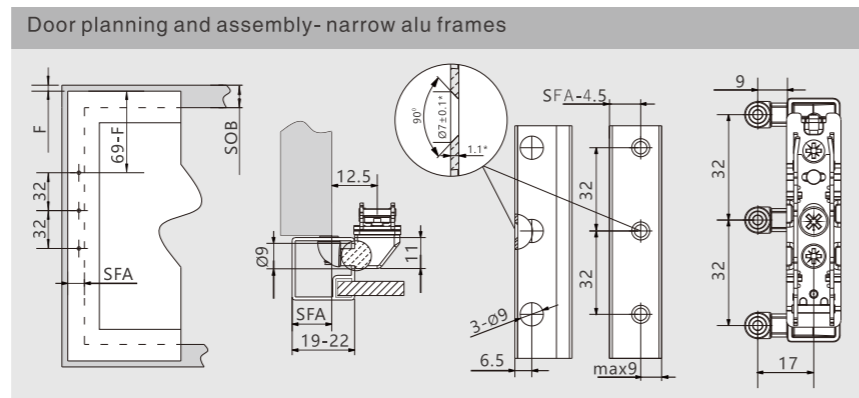
4x wooden screws Ø4X38mm



4 wooden screws for wooden doors (Ø4X16mm)

SFA: door overlay of the side panel

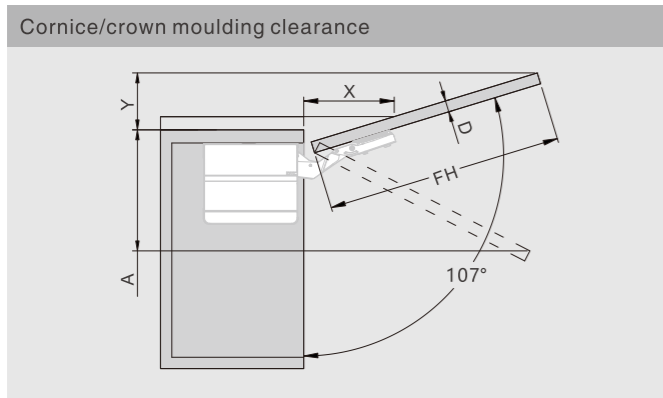
F: gap



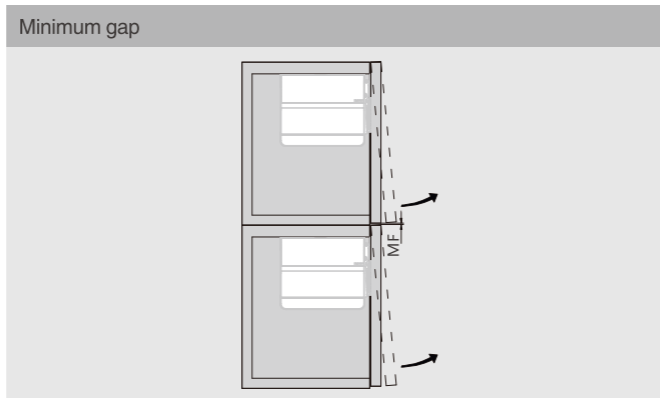
Frame width(mm)	19	20	21	22
SFA(mm)	15~19	16~20	17~21	18~22

10 countersunk screws for narrow alu frames (Φ3.5X8.5mm)

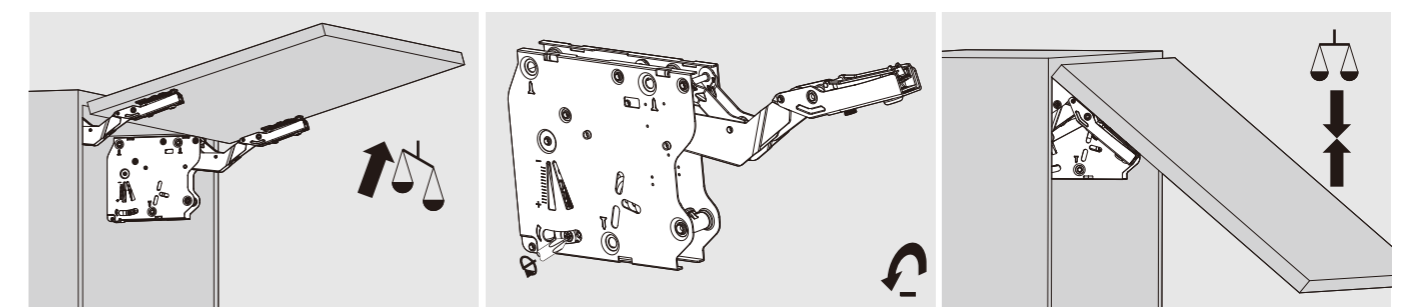
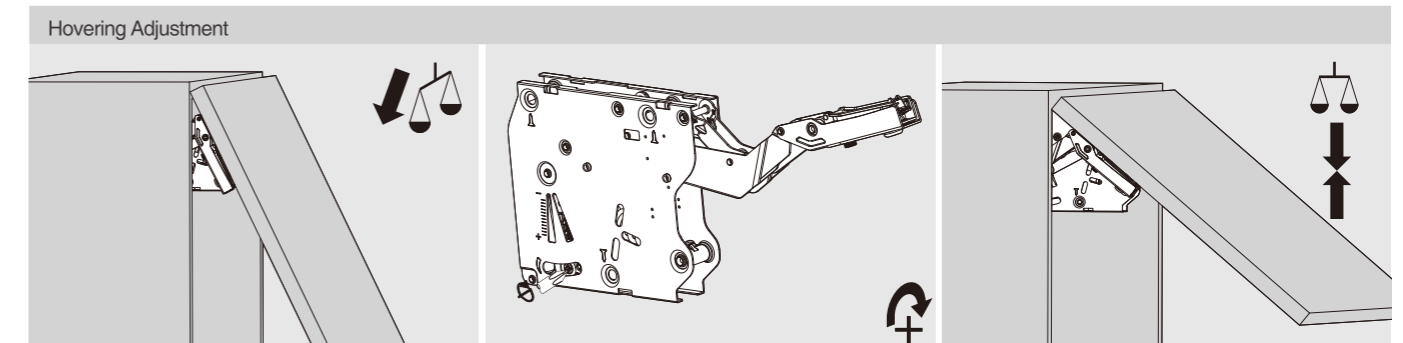
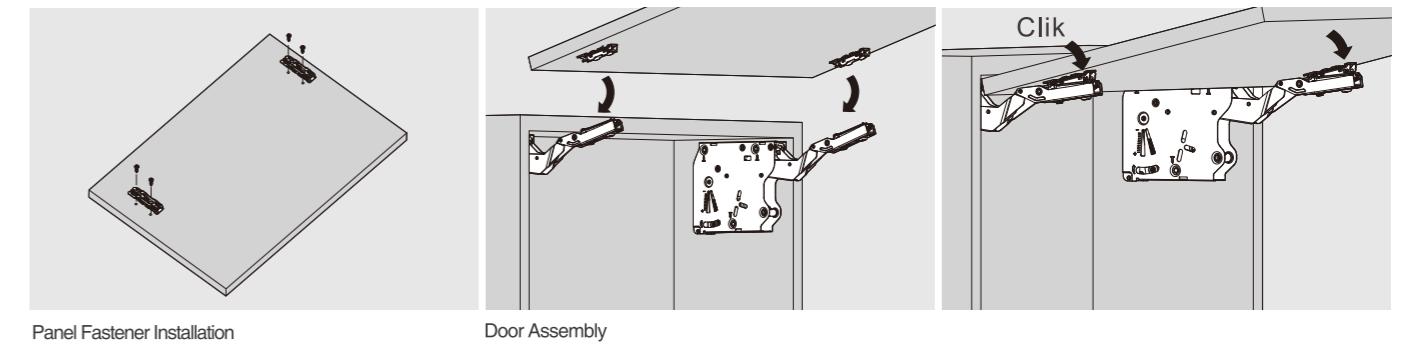
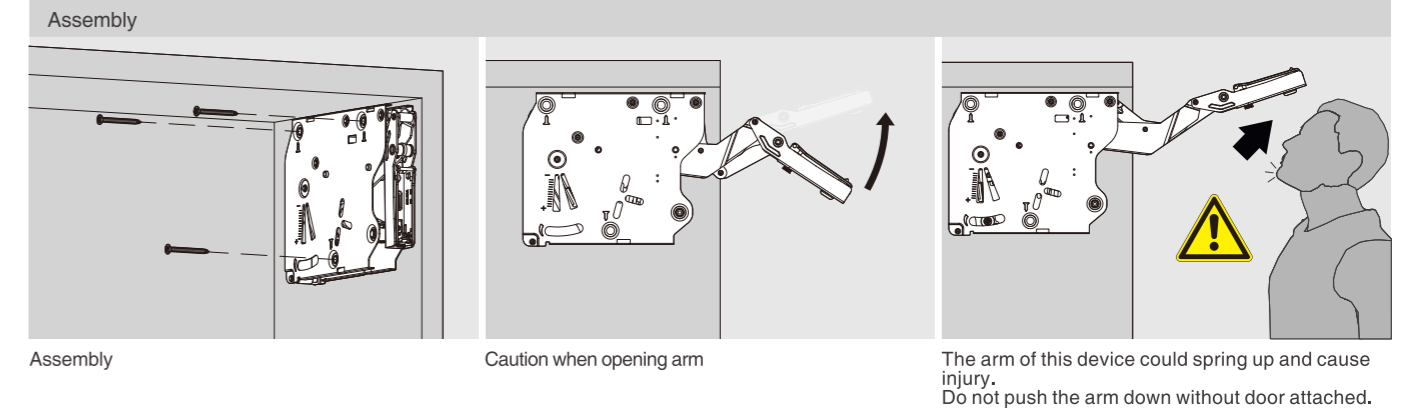
\*When changing material thickness, adjust the assembly dimensions accordingly



D(mm)	16	19	22	26	28
X(mm)	70	58	49	35	26
Opening angle restriction	Space requirement (mm)				
without	$Y = FH \times 0.29 - 15 + D$				
100°	$Y = FH \times 0.17 - 15 + D$				
75°	$A = FH \times 0.26 + 15 - D$				



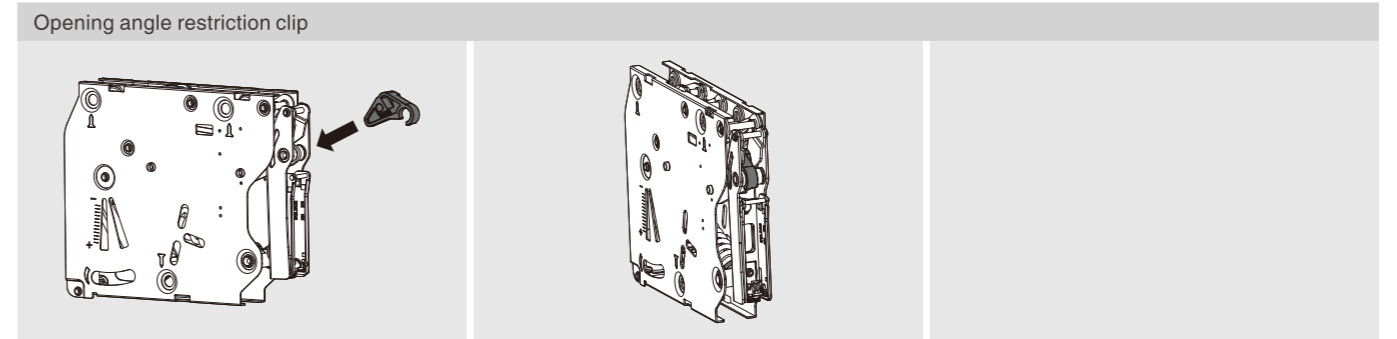
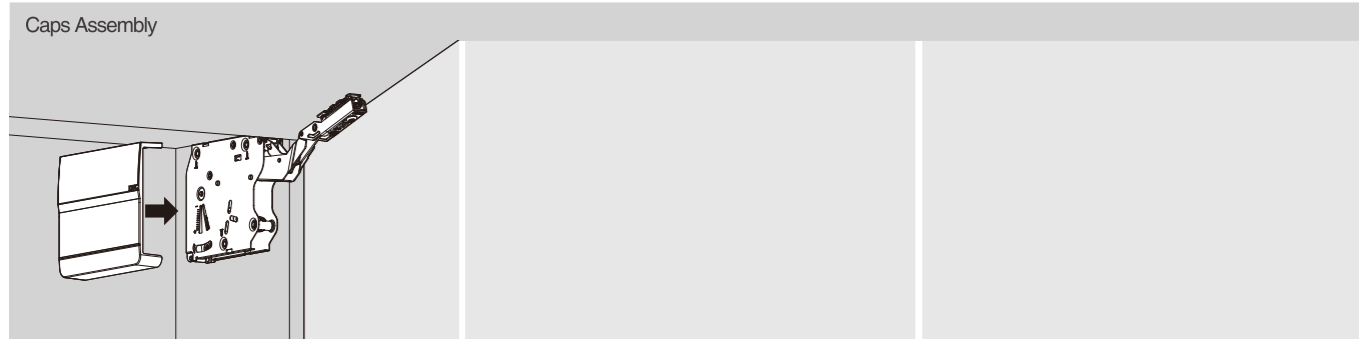
MF: Minimum gap 2mm



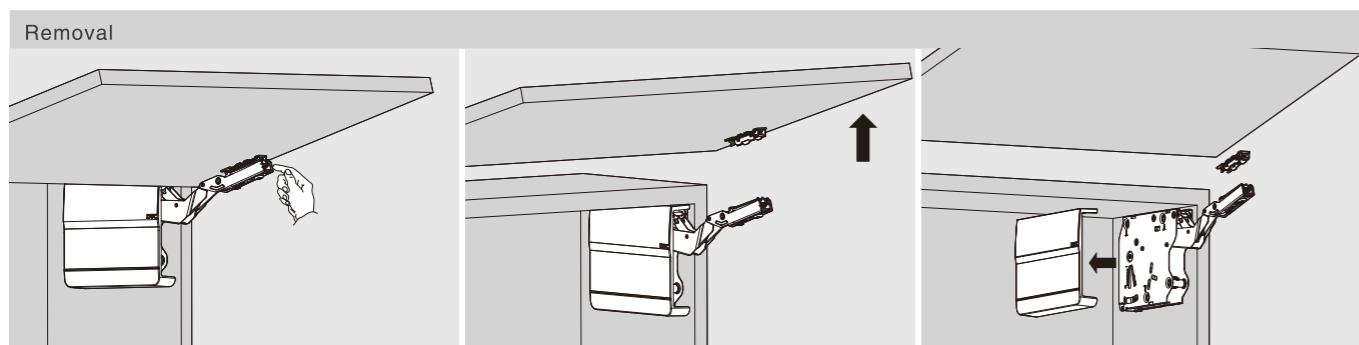
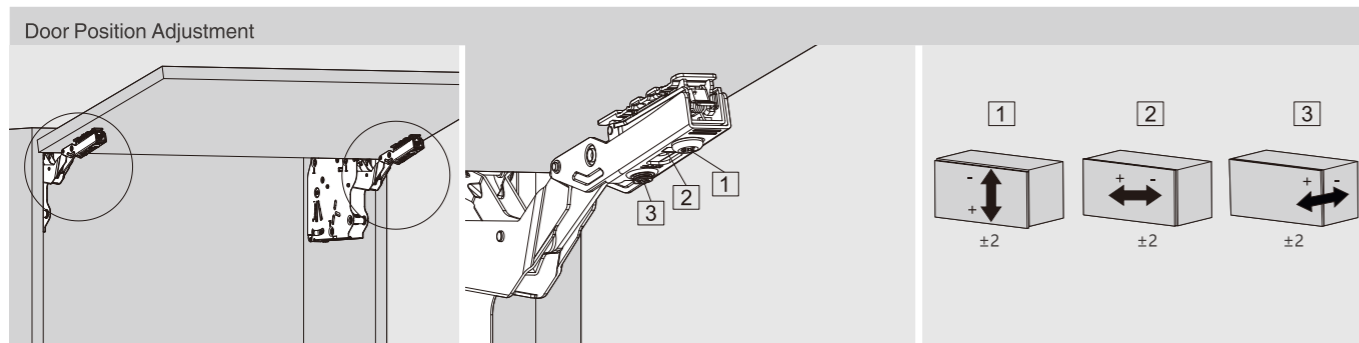


# TOP-STAYS

Assembly , Removal and Adjustment(for SQ Series Push-open Lifting System)

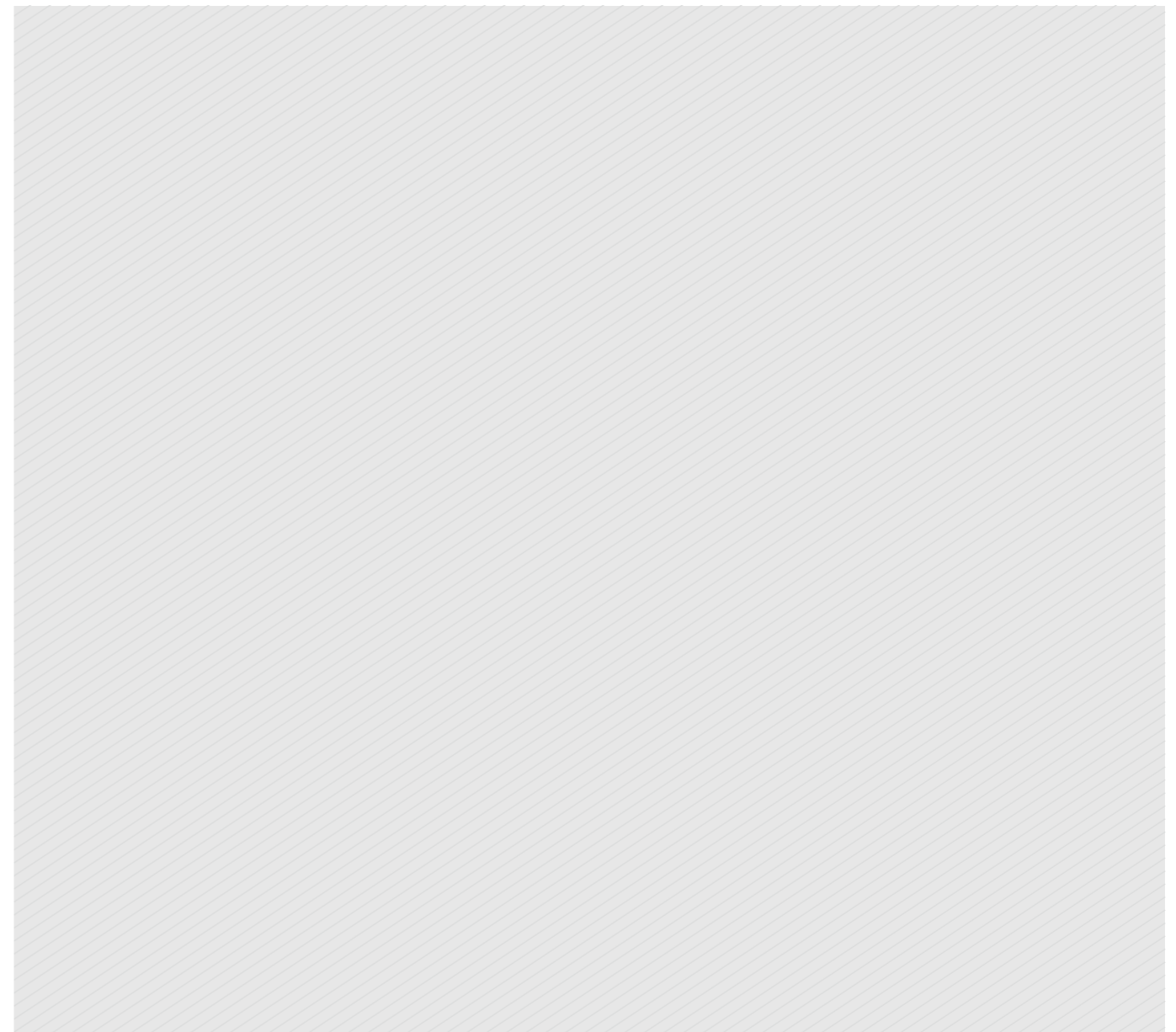


Assembly



The arm of this device could spring up and cause injury!

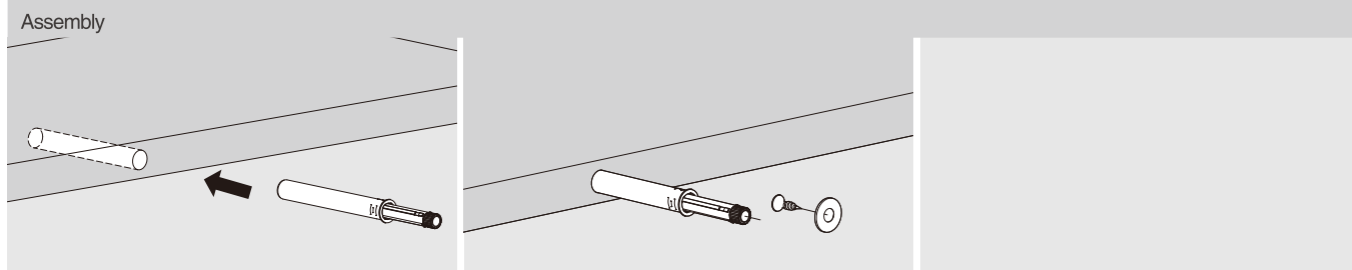
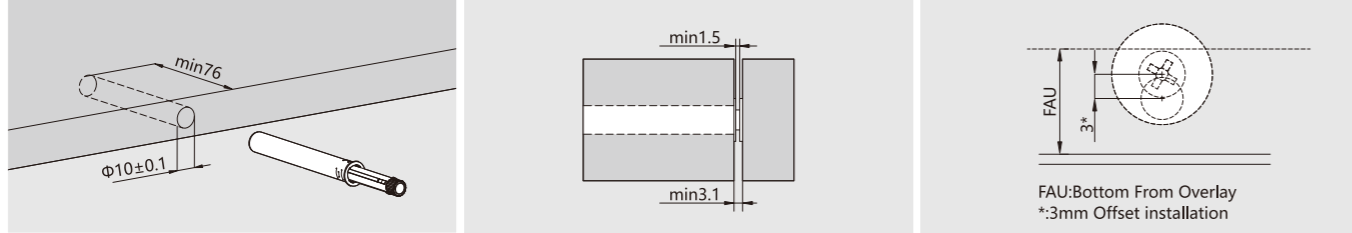
Do not push the arm down without door attached



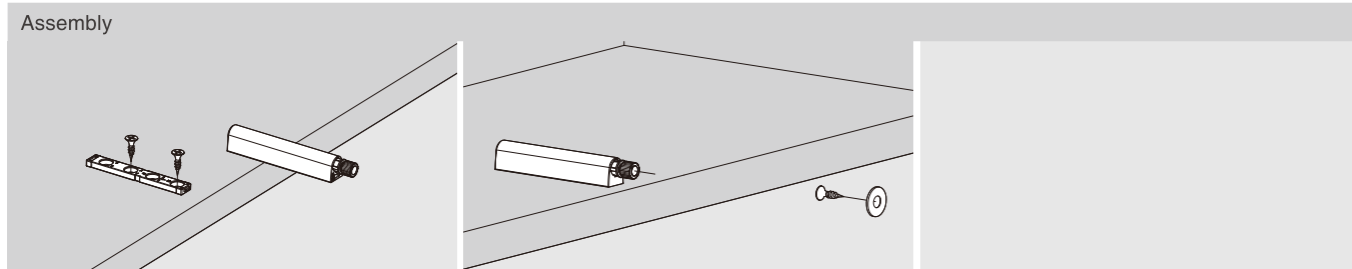
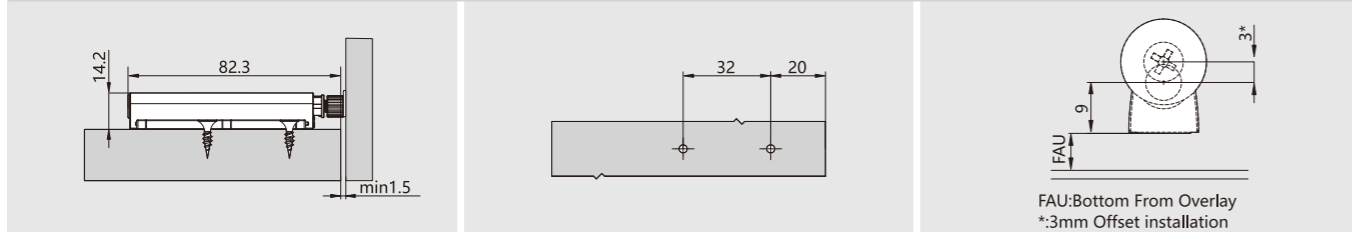


### PLANNING

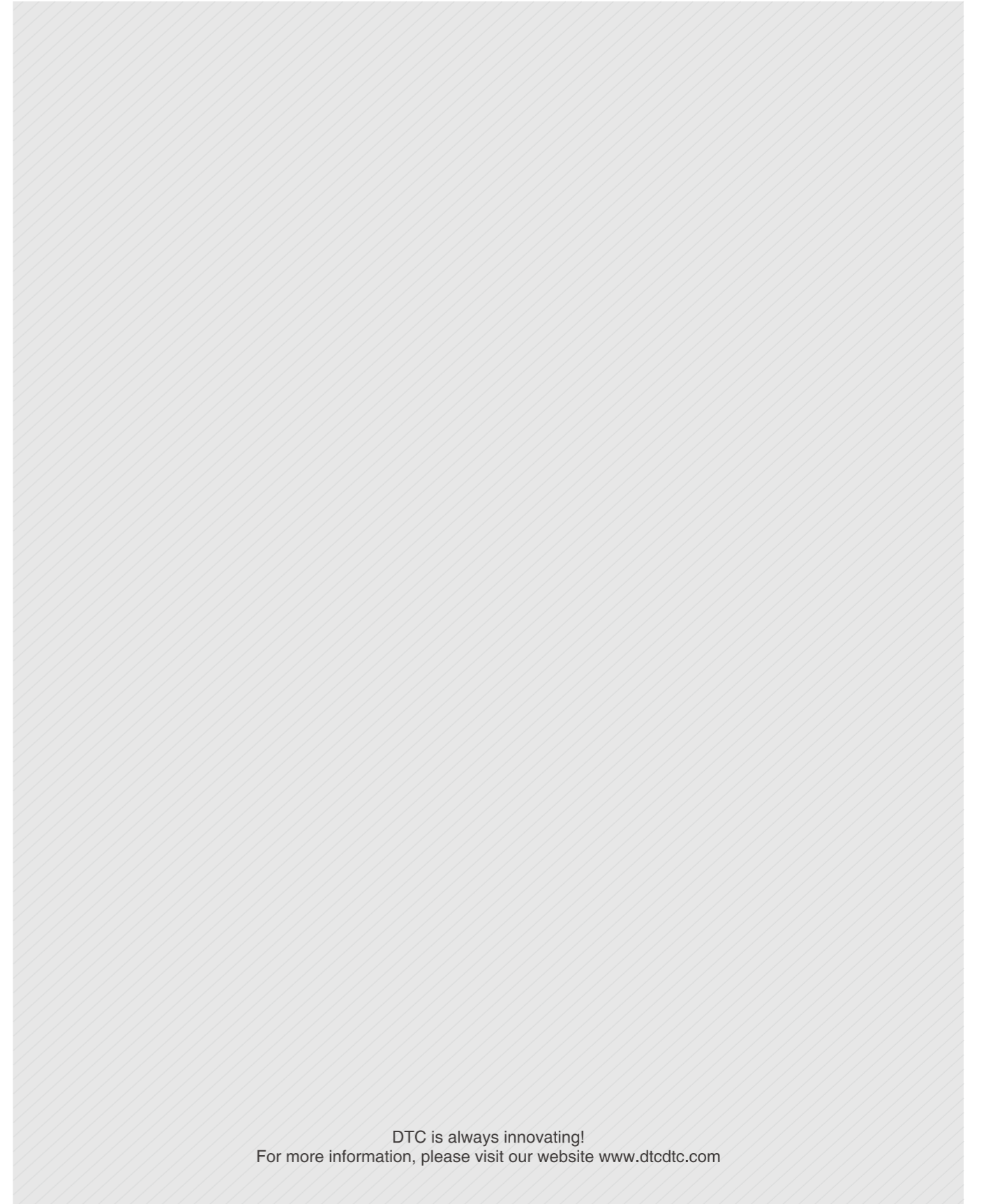
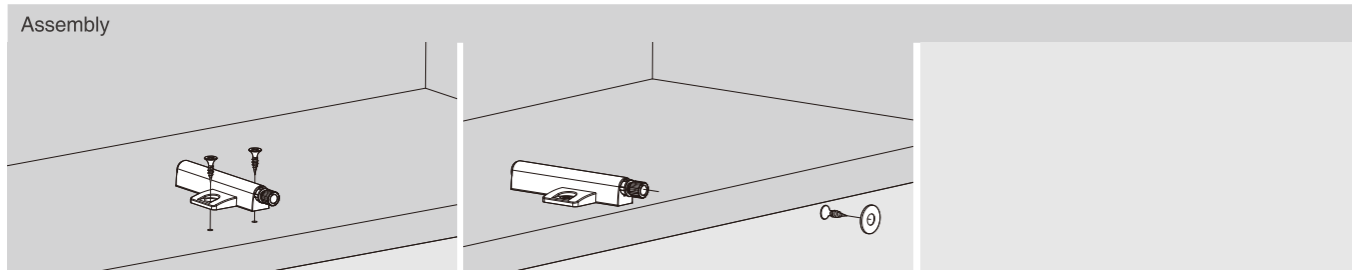
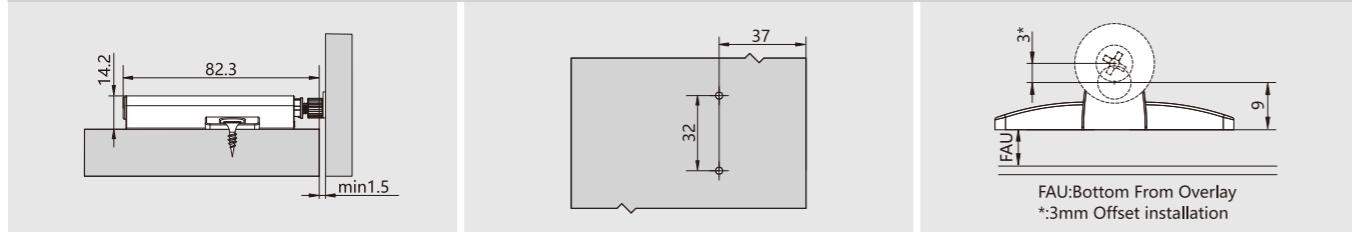
Insert-type Magnetic Push Latch Installation Dimensions(mm)



Magnetic Push Latch with Inline Fixing Plate(mm)



Magnetic Push Latch with Cross Fixing Plate(mm)



DTC is always innovating!  
For more information, please visit our website [www.dtcetc.com](http://www.dtcetc.com)



LIFTING  
SYSTEM

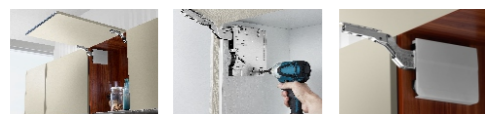
SF Series

TOP-STAYS

TOP-STAYS

The new experience of the lift-up door

Agile and Unconstrained,  
Enjoy Quality Life



- Closing speed adjustable, easy to open and stays at any desired position, silent and smooth closing
- Snap-fit mechanism makes installation and dismantling very easy
- High stability, wide application, provide ideal opening and shutting effects for door panels with various dimensions and made of various materials.



Quietness




Intelligence



Durability



Eco-Friendliness



The TOP-STAYS SF series is suited for wider wall cabinets that have heavier fronts. They open easily and give unrestricted access to the entire contents of the cabinet.

**DTC**  
Global Quality Benchmark

LIFTING SYSTEMS  
TOP-STAYS



TOP-STAYS SF is a stable lifting system for a wide range of cabinet applications and provides perfect opening and closing action for fronts of various dimensions or materials.



### PRODUCT



### DESCRIPTION

- Opening angle: 107° / 100°
- Cabinet width up to 1800mm
- Cabinet height: 250~700mm
- Door thickness: 16~28mm
- 3D door adjustments:  
Height adjustment: +/-2mm,  
Depth adjustment: +/-2mm,  
Side adjustment: +/-2mm,
- Easy to open, and stays at any desired position
- Adjustable soft-closing speed
- Adjustable opening and hovering forces
- Tool free assembly and removal
- Single and dual-colour caps at your disposal

#### Power factor LF=

Cabinet height KH(mm) x door weight incl. double handle weight(kg)

Note: The power factor LF and the door weight can be increased by 50% when a third lift mechanism is used.

### ORDER INFORMATION

1	Lift Mechanism set/ Industrial Package				
	Power Factor LF	Dynamic	Opening angle	Item No.	Set/ctn
	480-1500	Extra Light	107°	<b>SF00AD</b>	10
	750-2500	Light	107°	<b>SF00AL</b>	10
	1500-4900	Medium	107°	<b>SF00AM</b>	10
	3200-9000	Strong	100°	<b>SF00AH</b>	10

2	Opening angle restriction clip / Industrial Package			
	Opening angle	Item No.	Pcs/ctn	
	100°		Plastic	
			Dark Grey(H11)	
	75°		Plastic	
			Dark Grey(H11)	
	100°	<b>SFW100</b>	1000	
	75°	<b>SFW75</b>	1000	

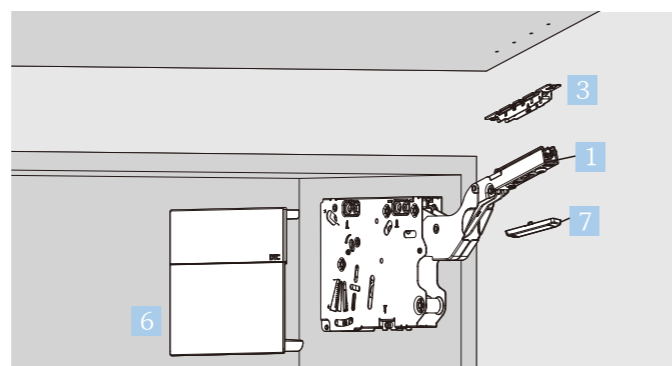
3	Front Fixing-brackets set/Industrial Package For Wooden Door and Wide Alu Frames		
	Nickel Plated	Item No.	Set/ctn
		<b>SF00YQ</b>	200

4	Narrow Alu Frame fixing-brackets set Industrial Package For Narrow Alu Frames		
	Nickel Plated(A01)	Item No.	Set/ctn
		<b>SF00H</b>	100
			16 pcs $\phi$ 3.5X8.5mm countersunk screws included

5	Single Caps(left/right) / Industrial Package		
	Colour	Item No.	Set/ctn
	White	<b>SFJS02A</b>	20
	Grey	<b>SFJS02B</b>	20

6	Dual-colour Caps(left/right) / Industrial Package		
	Colour	Item No.	Set/ctn
	White+ light grey	<b>SFJS01A</b>	20
	Grey+ dark grey	<b>SFJS01B</b>	20
	White+ nickel plated	<b>SFJS01C</b>	20
	Grey+ nickel plated	<b>SFJS01D</b>	20

7	Decoration cover for hinge arm /Industrial Package Nickel Plated(A01)		
	Item No.	Set/ctn	
	<b>S16H</b>	4000	



### ORDER INFORMATION

T1 Recommended Kit Package		
Including:		
1x lift mechanism set	1x white single caps set	1x front fixing-brackets set
10x wooden screws $\phi$ 4X35mm	8x wooden screws $\phi$ 4X16mm	
Please select the corresponding kit package item No. according to power factor and cabinet height		
Power Factor(LF)	Cabinet Height	Kit package item No.
480-1500	250-500mm	<b>SF00AD02A</b>
750-2500	250-500mm	<b>SF00AL02A</b>
1500-4900	350-500mm	<b>SF00AM02A</b>
3200-9000	400-700mm	<b>SF00AH02A</b>

T2 Recommended Kit Package		
Including:		
1x lift mechanism set	1x grey single caps set	1x front fixing-brackets set
10x wooden screws $\phi$ 4X35mm	8x wooden screws $\phi$ 4X16mm	
Please select the corresponding kit package item No. according to power factor and cabinet height		
Power Factor(LF)	Cabinet Height	Kit package item No.
480-1500	250-500mm	<b>SF00AD02B</b>
750-2500	250-500mm	<b>SF00AL02B</b>
1500-4900	350-500mm	<b>SF00AM02B</b>
3200-9000	400-700mm	<b>SF00AH02B</b>

T3 Recommended Kit Package		
Including:		
1x lift mechanism set	1x white+light grey dual-colour caps set	1x front fixing-brackets set
10x wooden screws $\phi$ 4X35mm	8x wooden screws $\phi$ 4X16mm	
Please select the corresponding kit package item No. according to power factor and cabinet height		
Power Factor(LF)	Cabinet Height	Kit package item No.
480-1500	250-500mm	<b>SF00AD01A</b>
750-2500	250-500mm	<b>SF00AL01A</b>
1500-4900	350-500mm	<b>SF00AM01A</b>
3200-9000	400-700mm	<b>SF00AH01A</b>

T4 Recommended Kit Package		
Including:		
1x lift mechanism set	1x grey+dark grey dual-colour caps set	1x front fixing-brackets set
10x wooden screws $\phi$ 4X35mm	8x wooden screws $\phi$ 4X16mm	
Please select the corresponding kit package item No. according to power factor and cabinet height		
Power Factor(LF)	Cabinet Height	Kit package item No.
480-1500	250-500mm	<b>SF00AD01B</b>
750-2500	250-500mm	<b>SF00AL01B</b>
1500-4900	350-500mm	<b>SF00AM01B</b>
3200-9000	400-700mm	<b>SF00AH01B</b>

T5 Recommended Kit Package		
Including:		
1x lift mechanism set	1x white+nickel plated dual-colour caps set	1x front fixing-brackets set
10x wooden screws $\phi$ 4X35mm	8x wooden screws $\phi$ 4X16mm	
Please select the corresponding kit package item No. according to power factor and cabinet height		
Power Factor(LF)	Cabinet Height	Kit package item No.
480-1500	250-500mm	<b>SF00AD01C</b>
750-2500	250-500mm	<b>SF00AL01C</b>
1500-4900	350-500mm	<b>SF00AM01C</b>
3200-9000	400-700mm	<b>SF00AH01C</b>

T6 Recommended Kit Package		
Including:		
1x lift mechanism set	1x grey+nickel plated dual-colour caps set	1x front fixing-brackets set
10x wooden screws $\phi$ 4X35mm	8x wooden screws $\phi$ 4X16mm	
Please select the corresponding kit package item No. according to power factor and cabinet height		
Power Factor(LF)	Cabinet Height	Kit package item No.
480-1500	250-500mm	<b>SF00AD01D</b>
750-2500	250-500mm	<b>SF00AL01D</b>
1500-4900	350-500mm	<b>SF00AM01D</b>
3200-9000	400-700mm	<b>SF00AH01D</b>

In the case of narrow alu frame application, order fixing-brackets SF00H separately.

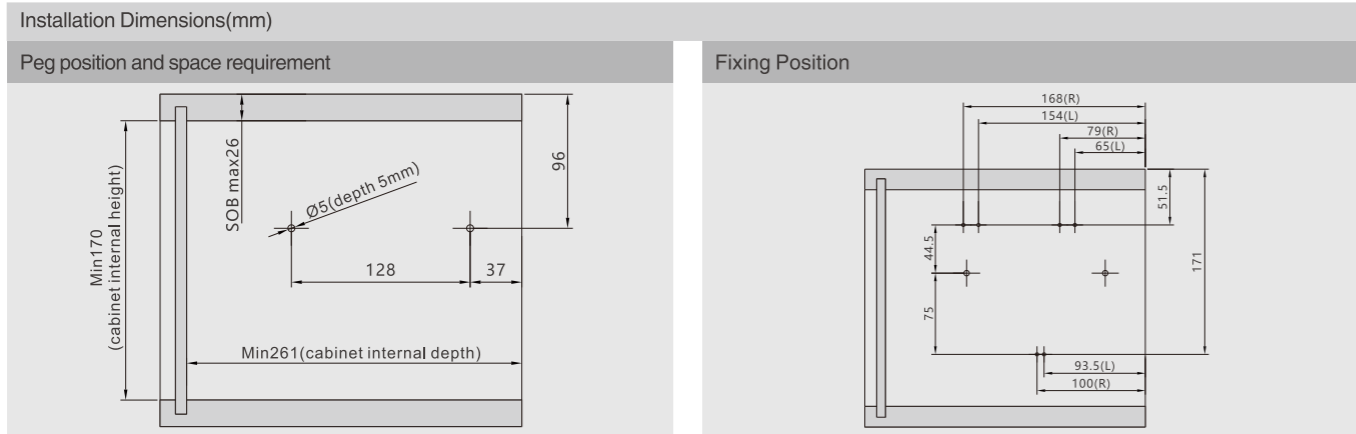
# TOP-STAYS

## SF Series Lifting System

# TOP-STAYS

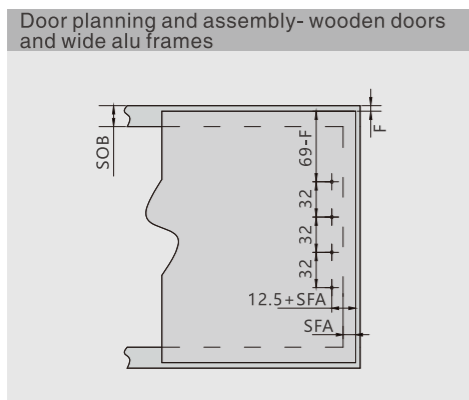
## Assembly, Removal and Adjustment(for SF series Lifting System)

### PLANNING

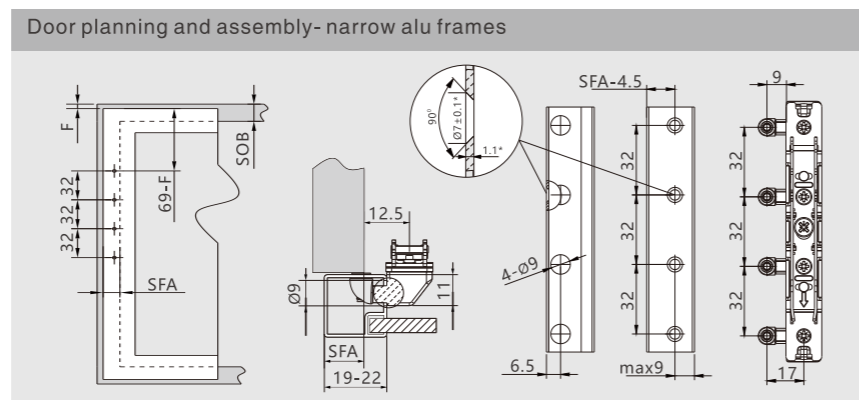


SOB: top panel thickness

3x wooden screws Ø4X35mm

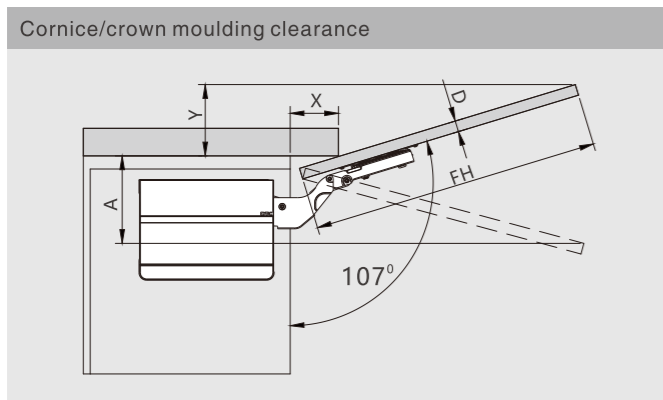


8 wooden screws for wooden doors (Ø4X16mm)  
8 countersunk screws for wide alu frames (M4X11mm)  
SFA: door overlay on the side panel  
F: gap

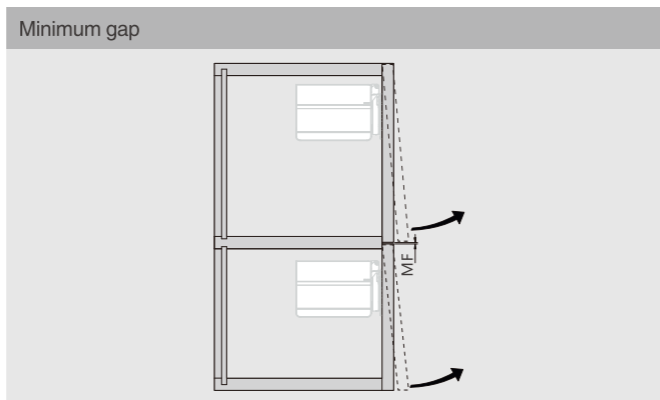


Frame width(mm)	19	20	21	22
SFA(mm)	15~19	16~20	17~21	18~22

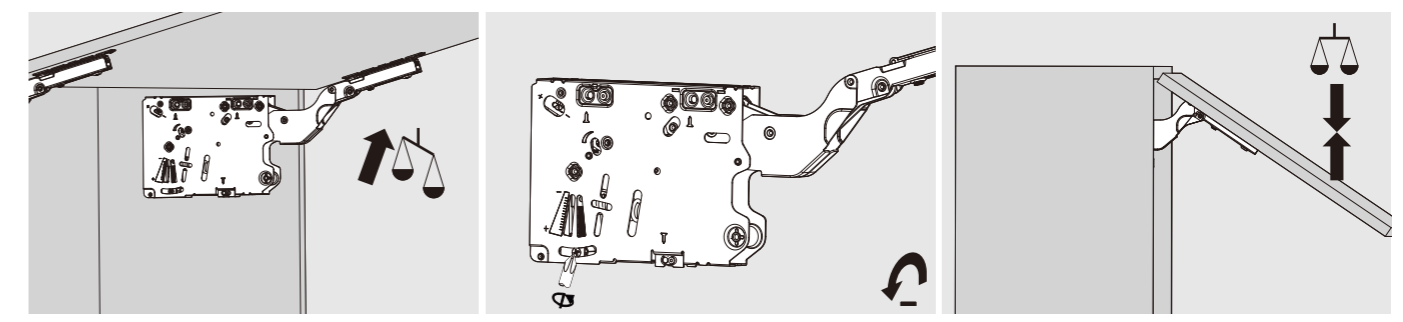
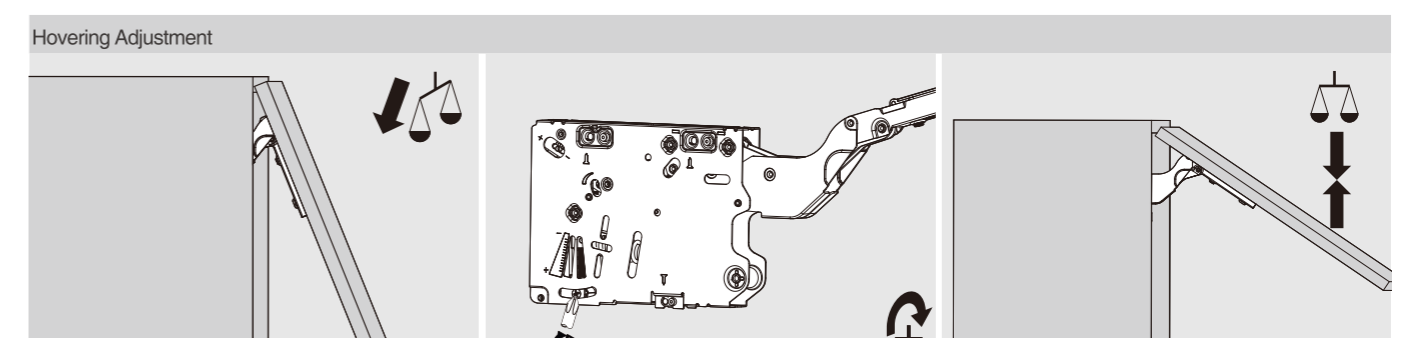
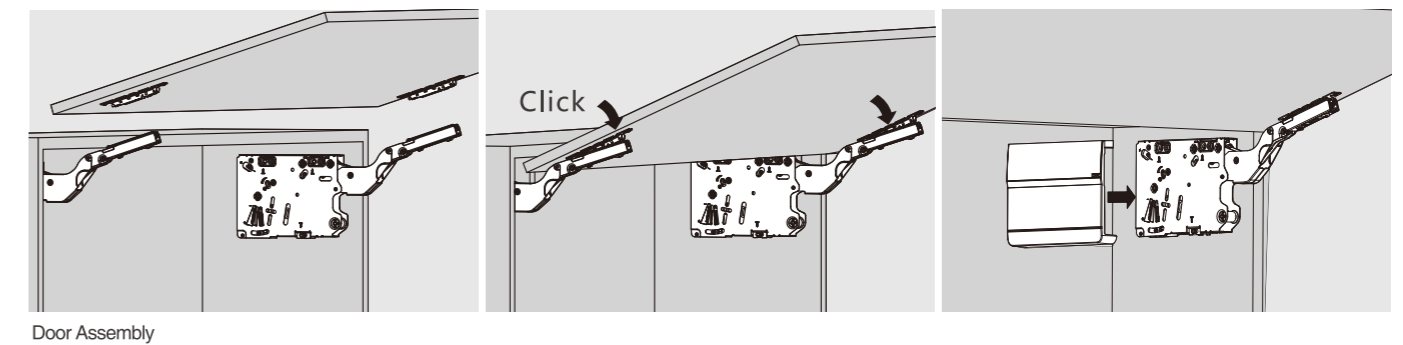
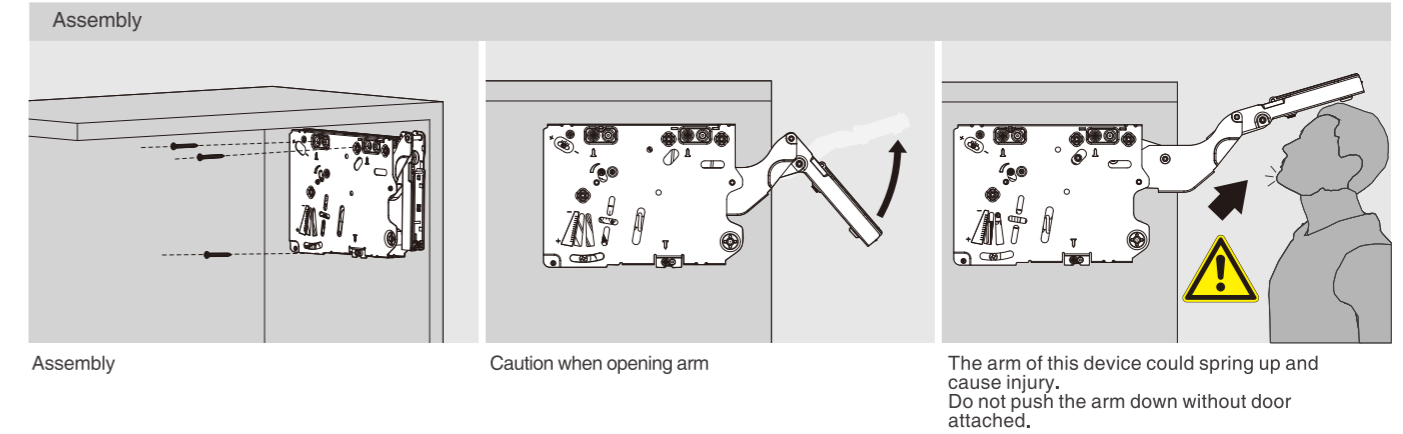
16 countersunk screws for narrow alu frames (Φ3.5X8.5mm)  
\*When changing material thickness, adjust the assembly dimensions accordingly

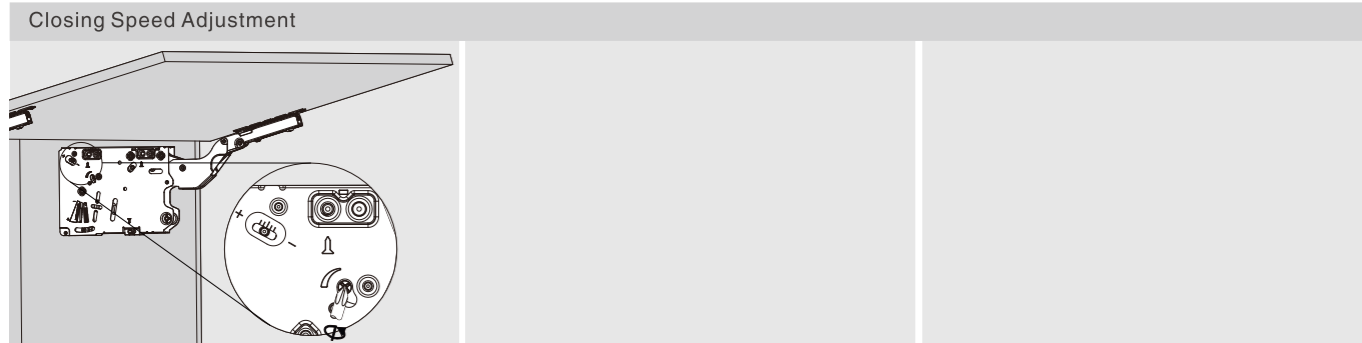


D(mm)	16	19	22	26	28
X(mm)	70	58	49	35	26
Opening angle restriction	Space requirement (mm)				
without	$Y = FH \times 0.29 - 15 + D$				
100°	$Y = FH \times 0.17 - 15 + D$				
75°	$A = FH \times 0.26 + 15 - D$				

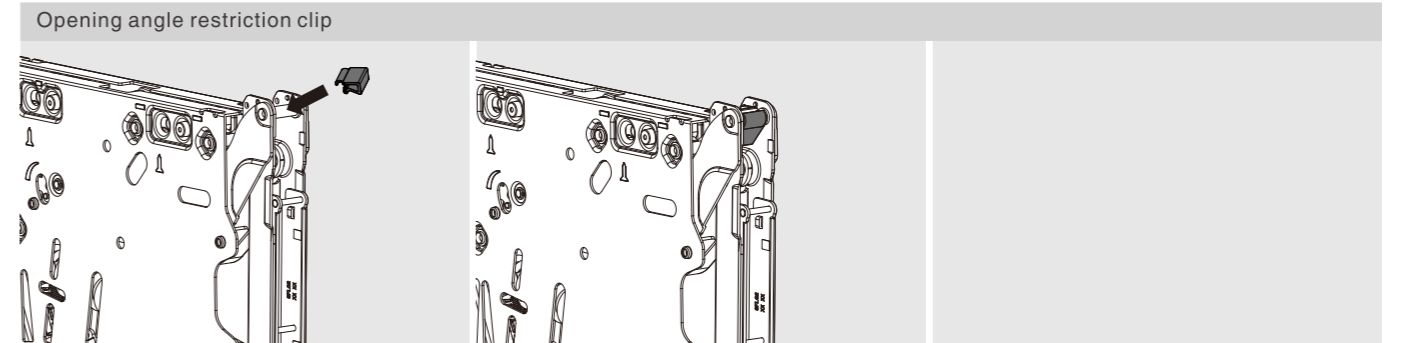


MF: Minimum gap 2mm

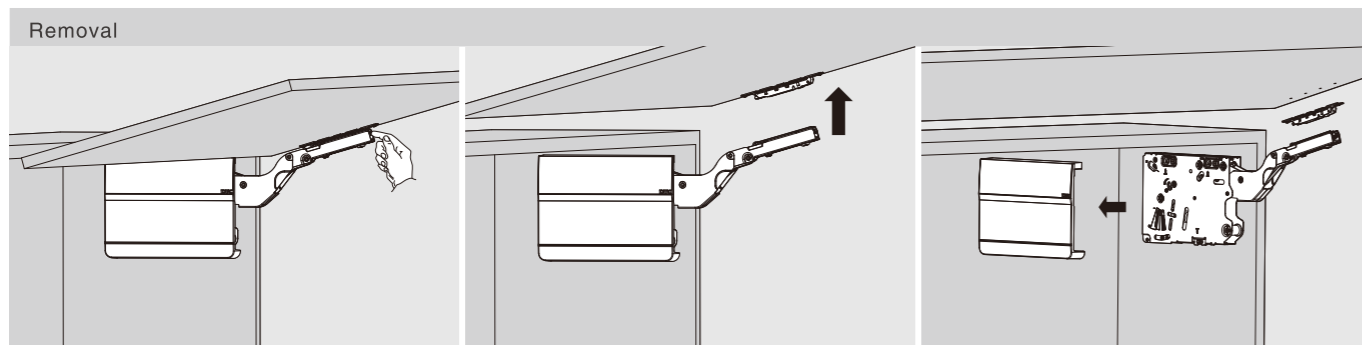
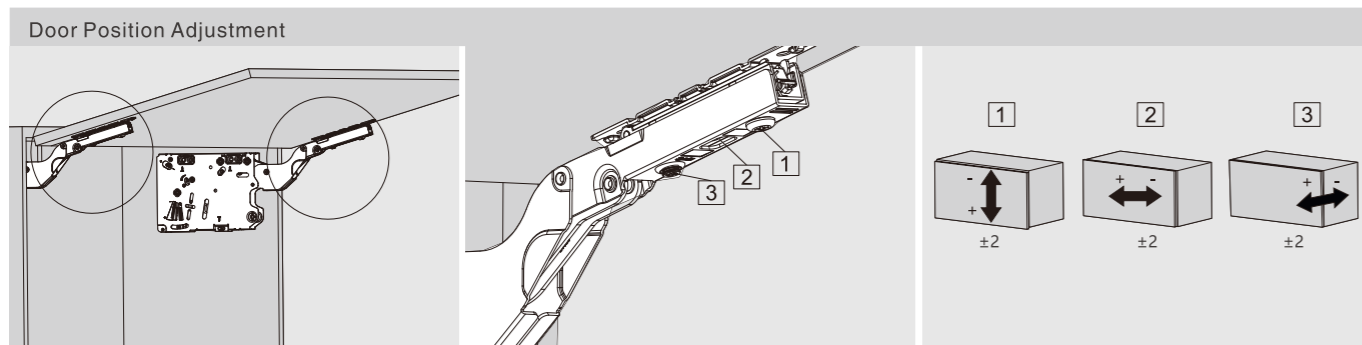




"+" increasing soft-closing time (turn adjustment screw counter-clockwise)  
 "-" reducing soft-closing time (turn adjustment screw clockwise)

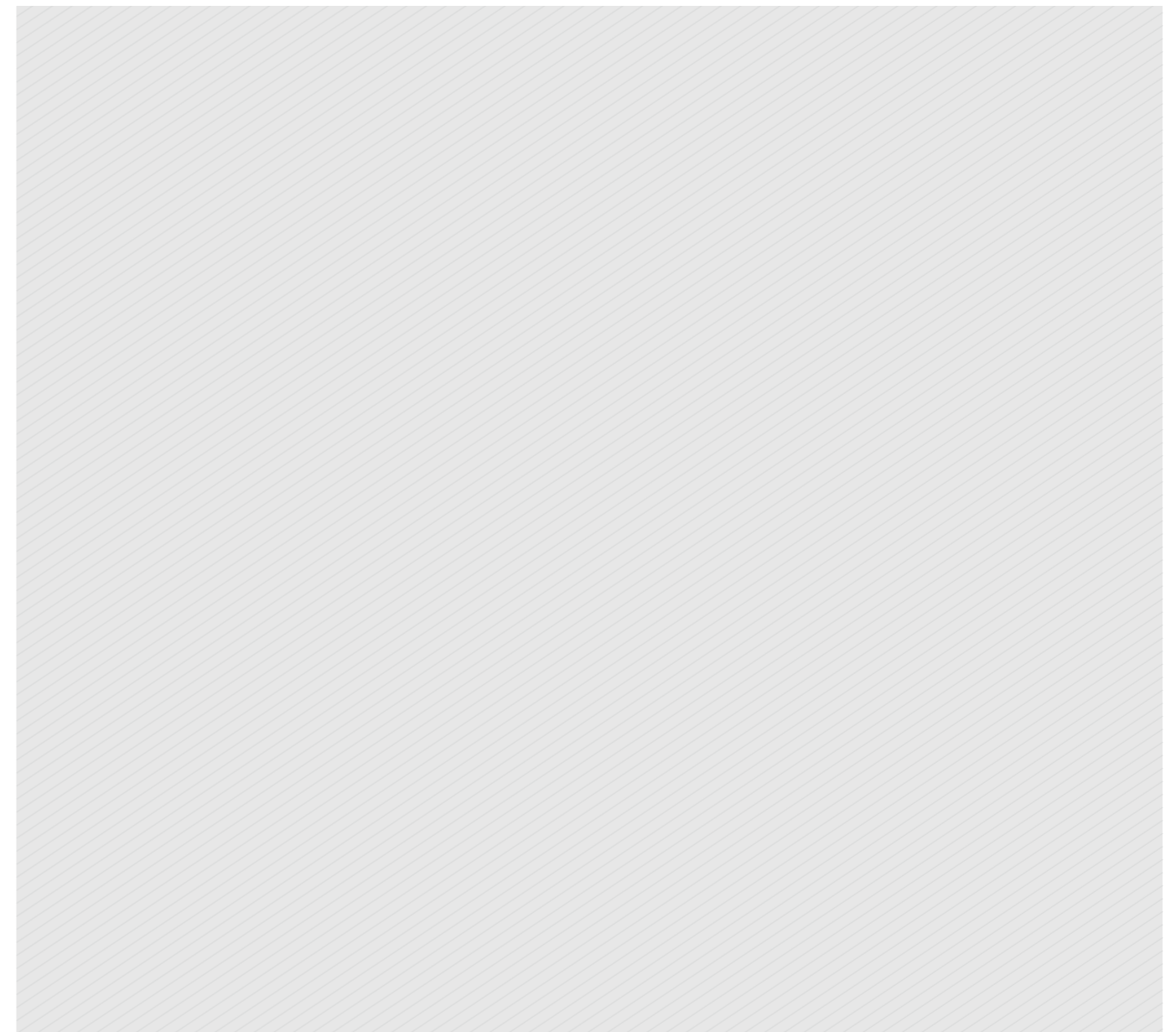


Assembly



The arm of this device could spring up and cause injury!

Do not push the arm down without door attached





LIFTING  
SYSTEM  
ST Series  
**TOP-STAYS**



# TOP-STAYS

The new experience of the lift-up door

**Agile and Unconstrained,  
Impressive and Elegant**



- Easy to open and stays at any desired position, silent and smooth closing, full access to the inside of the cabinet
- Side, height and depth adjustments - 3D front adjustment of both fronts
- Tool free assembly and removal, easy and fast installation



Quietness



Intelligence



Durability



Eco-Friendliness

# TOP-STAYS

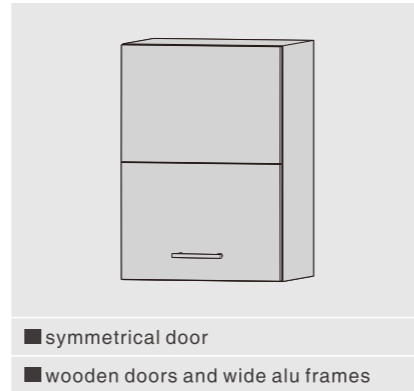
## ST Series Bi-fold Lifting System

### PRODUCT



### DESCRIPTION

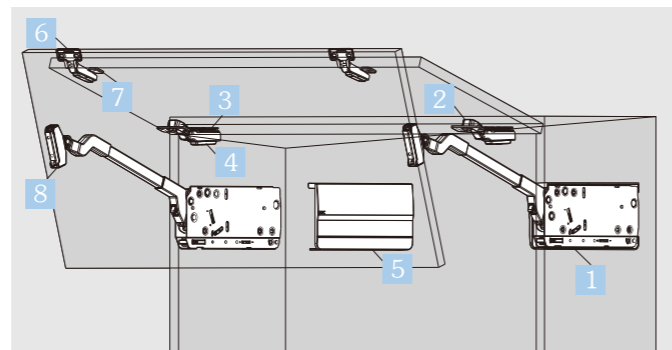
- Cabinet width up to 1800mm
- Cabinet height:480~1040mm
- Door thickness:16~26mm
- 3D front adjustment of both fronts
- Easy to open, and stays at any desired position
- Adjustable soft-closing speed
- Adjustable opening and hovering forces
- Tool free assembly and removal



### ORDER INFORMATION

<b>1</b>		Lift Mechanism set/ Industrial Package 6 Set/ctn
Cabinet height KH(mm)	Door weight incl handle weight (kg)	Item No.
480-529	5.0-10.0(2.5-5.0 to use 1 lift)	<b>ST01AL</b>
	9.6-16.0	<b>ST01AM</b>
530-589	4.5-8.9(2.3-4.5 to use 1 lift)	<b>ST02AL</b>
	8.7-14.4	<b>ST02AM</b>
590-649	4.1-8.1 (2.0-4.1 to use 1 lift)	<b>ST03AL</b>
	7.8-13.0	<b>ST03AM</b>
650-729	3.7-7.2 (1.8-3.7 to use 1 lift)	<b>ST04AL</b>
	7.0-11.6	<b>ST04AM</b>
	11.5-19.8	<b>ST04AH</b>
	3.2-6.5	<b>ST05AL</b>
730-799	6.3-10.6	<b>ST05AM</b>
	10.5-18.1(15.7-27.1 to use 3 lift)	<b>ST05AH</b>
800-879	5.8-9.6	<b>ST06AM</b>
	9.5-16.5(14.2-24.7 to use 3 lift)	<b>ST06AH</b>
880-959	5.2-8.8	<b>ST07AM</b>
	8.7-15.1(13.0-22.6 to use 3 lift)	<b>ST07AH</b>
960-1040	4.8-8.1	<b>ST08AM</b>
	8.0-13.9(12.0-20.8 to use 3 lift)	<b>ST08AH</b>
<b>6</b>		Centre hinge /Industrial Package Nickel Plated(A01)
	Item No.	<b>ST00BG</b>
	Set/ctn	100
<b>7</b>		Mounting plate for centre hinge/Industrial Package Nickel Plated(A01)
	Item No.	<b>T00TQ</b>
	Set/ctn	100
<b>8</b>		Front Mounting plate /Industrial Package Nickel Plated(A01)
	Item No.	<b>ST00YQ</b>
	Set/ctn	200

<b>2</b>		120° hinge/Industrial Package Nickel Plated(A01)	
	Item No.	<b>STA685</b>	
	Set/ctn	100	
<b>3</b>		Mounting plate for 120° hinge/Industrial Package Nickel Plated(A01)	
	Item No.	<b>SQ00YQ</b>	
	Set/ctn	200	
<b>4</b>		Decoration cover for hinge arm /Industrial Package Nickel Plated(A01)	
	Item No.	<b>S15H</b>	
	Set/ctn	1000	
<b>5</b>		Cover cap set/Industrial Package plastic	
	Colour	Item No.	Set/ctn
	White	<b>STJS02A</b>	20
	Grey	<b>STJS02B</b>	20
<b>9</b>		Opening angle restriction clip/Industrial Package Plastic Dark Grey (H11)	
	Opening angle	Item No.	Pcs/ctn
	100°	<b>STW100</b>	1000
	83°	<b>STW83</b>	1000



### ORDER INFORMATION

<b>T1</b> Recommended Kit Package				
Including:				
1x Lift mechanism set	1 X Cover cap set	1 X 120° hinge set	1 X Mounting plate set for 120° hinge	1 X Decoration cover set for hinge arm
1 X Centre hinge set	1X Mounting plate set for centre hinge	1 X Front mounting plate set	Ø4X16mm Ø4X38mm	20X16mm wooden screws 10X38mm wooden screws

Please select the corresponding kit package item No. according to cabinet height ,door weight and handle weight

Cabinet height KH(mm)	Door weight incl handle weight (kg)	Kit package item No. (White cap)	Kit package item No. (Grey cap)
480-529	5.0-10.0	<b>ST01AL02A</b>	<b>ST01AL02B</b>
	9.6-16.0	<b>ST01AM02A</b>	<b>ST01AM02B</b>
530-589	4.5-8.9	<b>ST02AL02A</b>	<b>ST02AL02B</b>
	8.7-14.4	<b>ST02AM02A</b>	<b>ST02AM02B</b>
590-649	4.1-8.1	<b>ST03AL02A</b>	<b>ST03AL02B</b>
	7.8-13.0	<b>ST03AM02A</b>	<b>ST03AM02B</b>
650-729	3.7-7.2	<b>ST04AL02A</b>	<b>ST04AL02B</b>
	7.0-11.6	<b>ST04AM02A</b>	<b>ST04AM02B</b>
	11.5-19.8	<b>ST04AH02A</b>	<b>ST04AH02B</b>
	3.2-6.5	<b>ST05AL02A</b>	<b>ST05AL02B</b>
730-799	6.3-10.6	<b>ST05AM02A</b>	<b>ST05AM02B</b>
	10.5-18.1	<b>ST05AH02A</b>	<b>ST05AH02B</b>
800-879	5.8-9.6	<b>ST06AM02A</b>	<b>ST06AM02B</b>
	9.5-16.5	<b>ST06AH02A</b>	<b>ST06AH02B</b>
880-959	5.2-8.8	<b>ST07AM02A</b>	<b>ST07AM02B</b>
	8.7-15.1	<b>ST07AH02A</b>	<b>ST07AH02B</b>
960-1040	4.8-8.1	<b>ST08AM02A</b>	<b>ST08AM02B</b>
	8.0-13.9	<b>ST08AH02A</b>	<b>ST08AH02B</b>

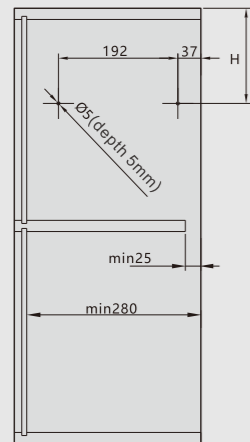
# TOP-STAYS

## ST Series Bi-fold Lifting System

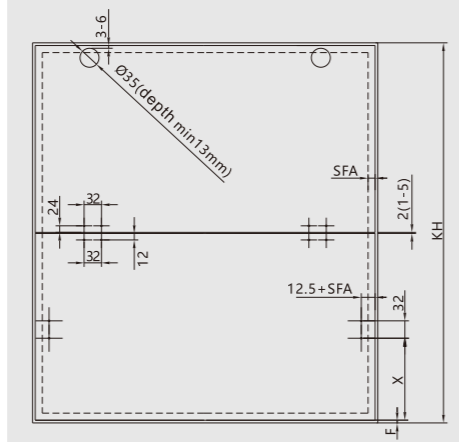
### PLANNING

#### Installation Dimensions(mm)-Symmetrical doors

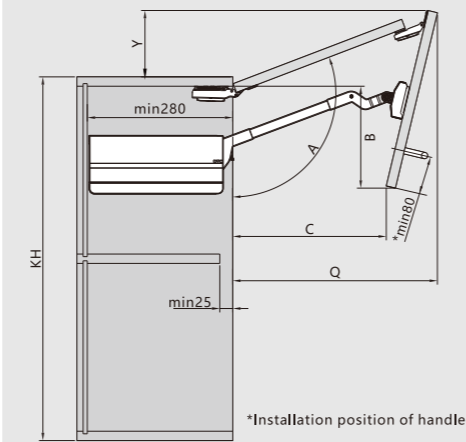
##### Peg position and space requirement



##### Door assembly-wooden doors and wide alu frames



##### Cornice / crown moulding clearance



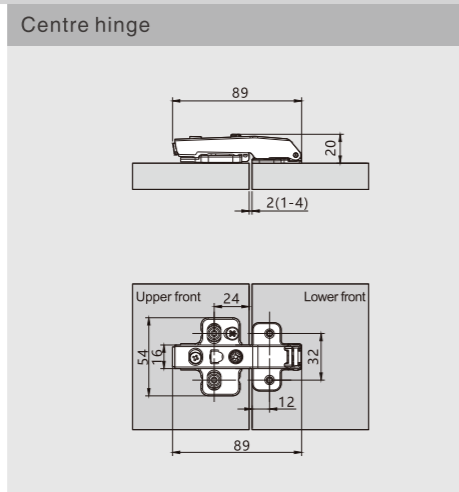
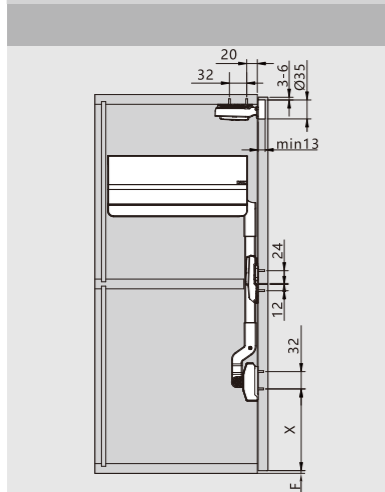
Cabinet height KH(mm)	H(mm)
480-589	KHx0.3-28
590-1040	KHx0.3-57

E. G.  
Cabinet height KH=500  
H=500x0.3-28=122  
Cabinet height KH=800  
H=800x0.3-57=183

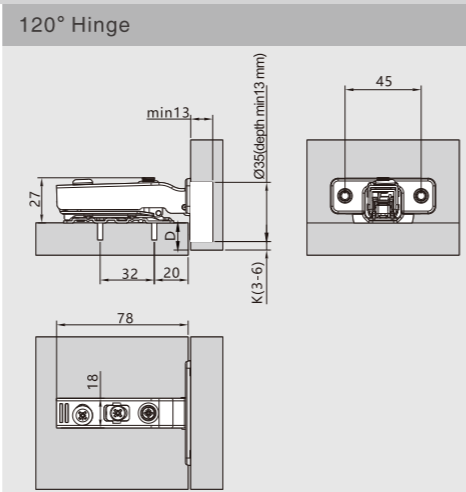
Cabinet height KH(mm)	X(mm)		E. G. Cabinet height KH=600 H=600x0.3-57=123 S=356 (see table below) Gap F=2 X=600-356-2=119			
	S(mm)	A(°)	B(mm)	C(mm)	Q(mm)	Y(mm)
480-1040	KH-H-S-F					
480-529	301	~115-105	109-156	257-210	278-323	109-76
530-589	326	~115-105	123-180	280-223	300-354	121-77
590-649	356	~115-105	141-194	308-224	327-384	132-84
650-729	386	~115-102	160-228	335-226	355-428	144-74
730-799	426	~115-105	181-250	372-293	390-450	162-108
800-879	461	~115-105	202-280	404-318	422-494	176-115
880-959	501	~115-105	225-301	440-361	458-529	194-134
960-1040	541	~115-105	245-335	476-405	493-566	214-148

SFA=Door overlay on the side panel  
F=Gap

#### Installation Dimensions(mm)



Number of hinges needed for each door:  
Use 3 hinge for cabinet width over 1200mm and door weight over 12kg.  
Use 4 hinge for cabinet width over 1800mm and door weight over 20kg.

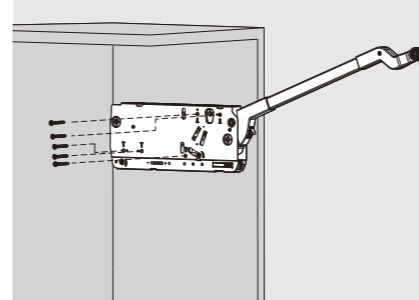


Drilling distance K(mm)	3	4	5	6
Door overlay D(mm)	15	16	17	18

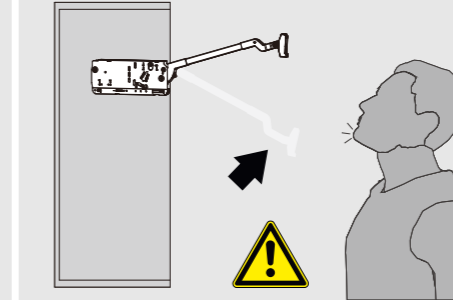
# TOP-STAYS

## Assembly, Removal and Adjustment(for ST series Bi-fold Lifting System)

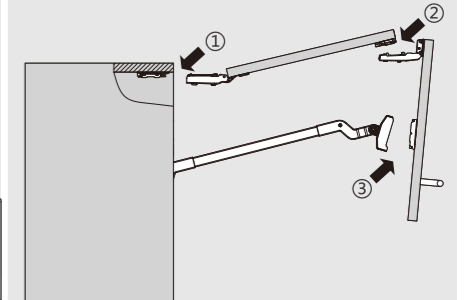
#### Assembly



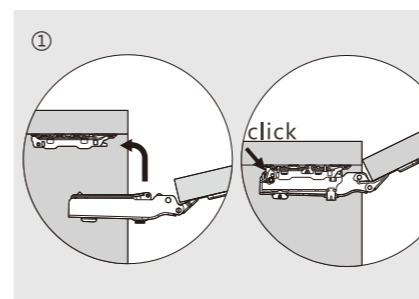
Assembly



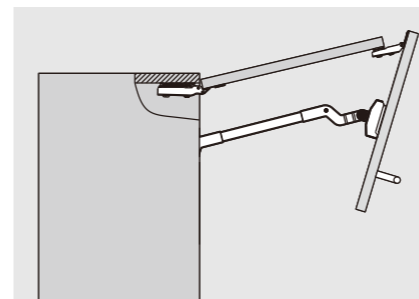
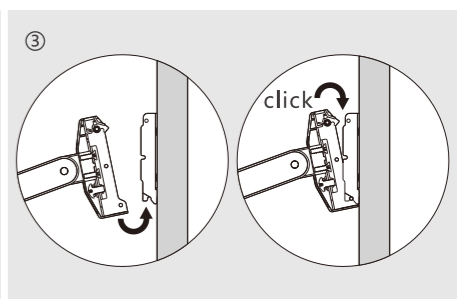
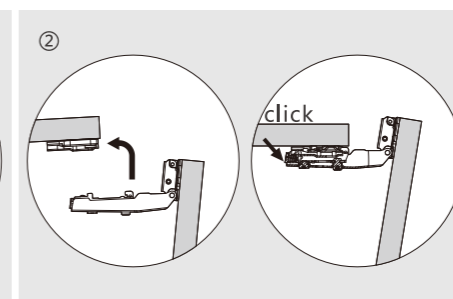
The arm of this device could spring up and cause injury.  
Do not push the arm down without door attached.



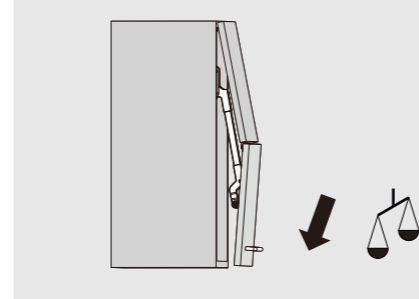
Door Assembly



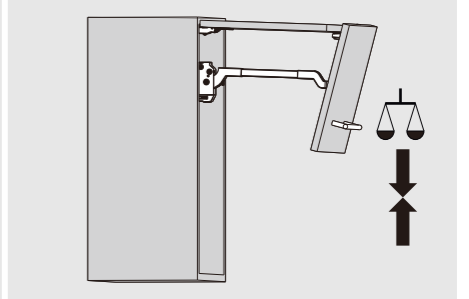
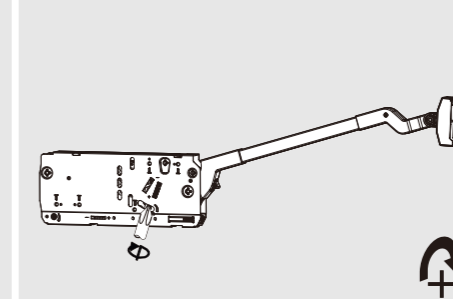
Door Assembly



#### Hovering Adjustment

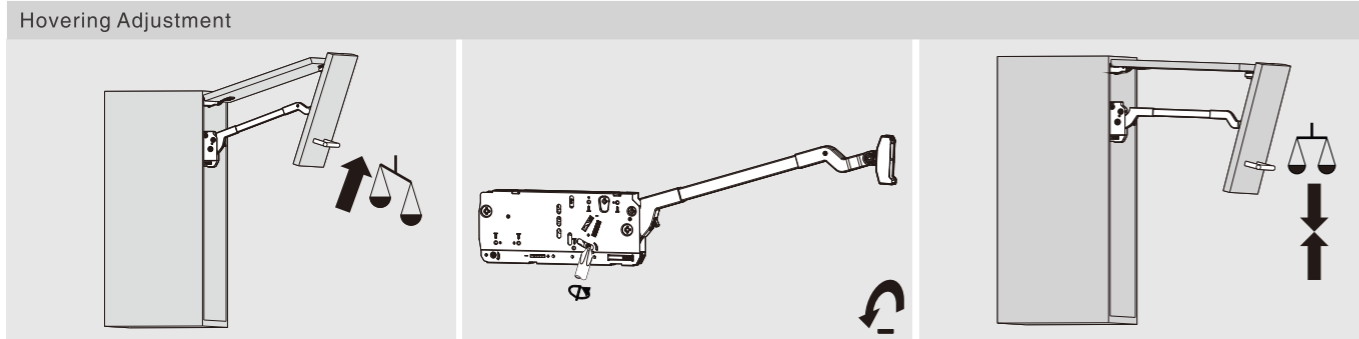


Adjustment

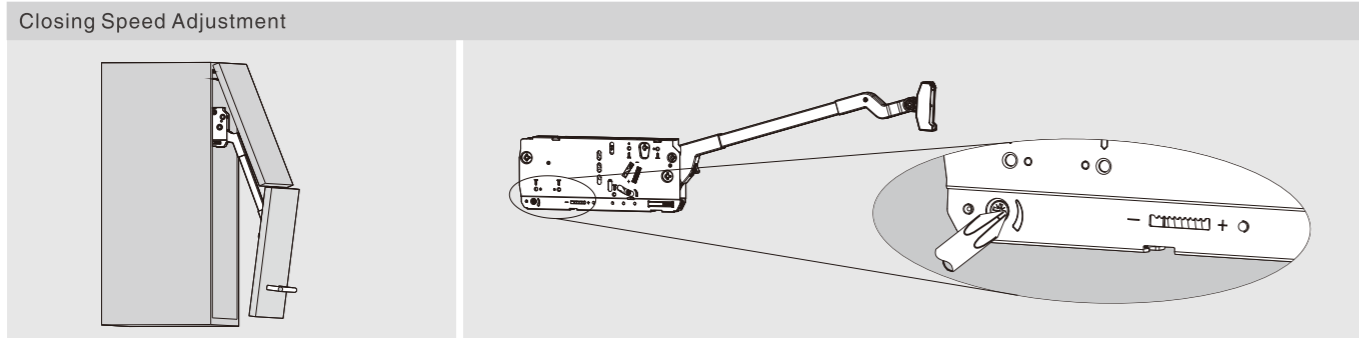


# TOP-STAYS

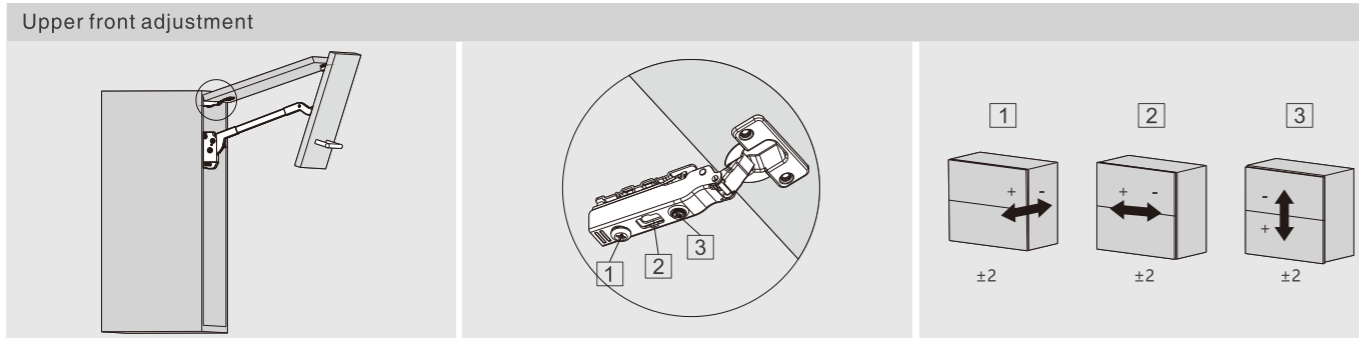
Assembly , Removal and Adjustment(for ST series Bi-fold Lifting System)



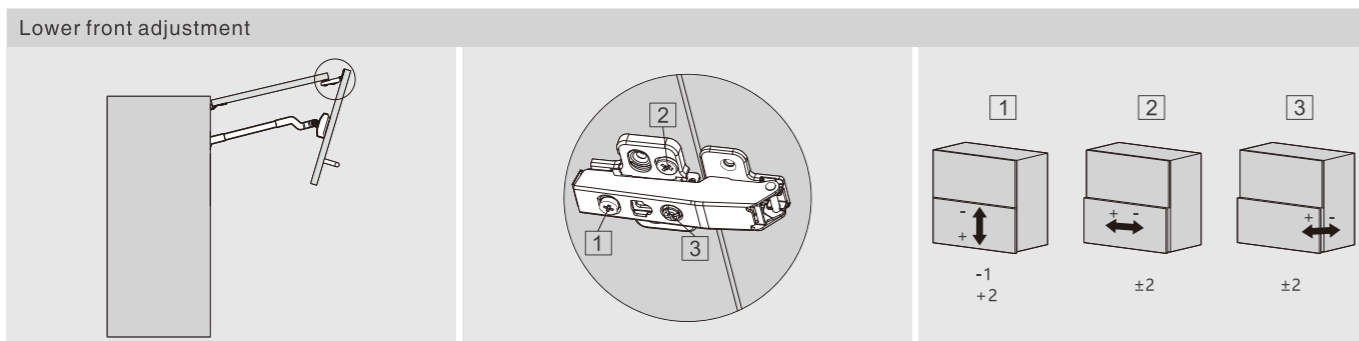
Adjustment



"+" Increasing soft-closing time (turn adjustment screw counter-clockwise)  
 "- " Reducing soft-closing time (turn adjustment screw clockwise)



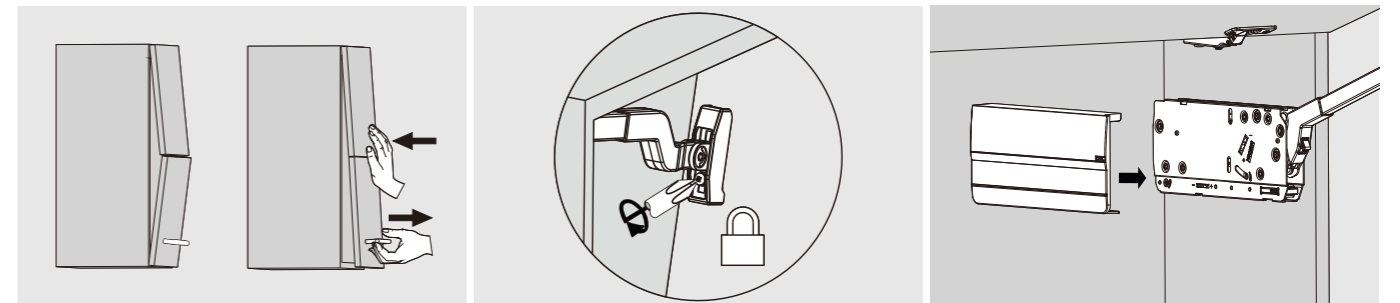
120° hinge



Center hinge

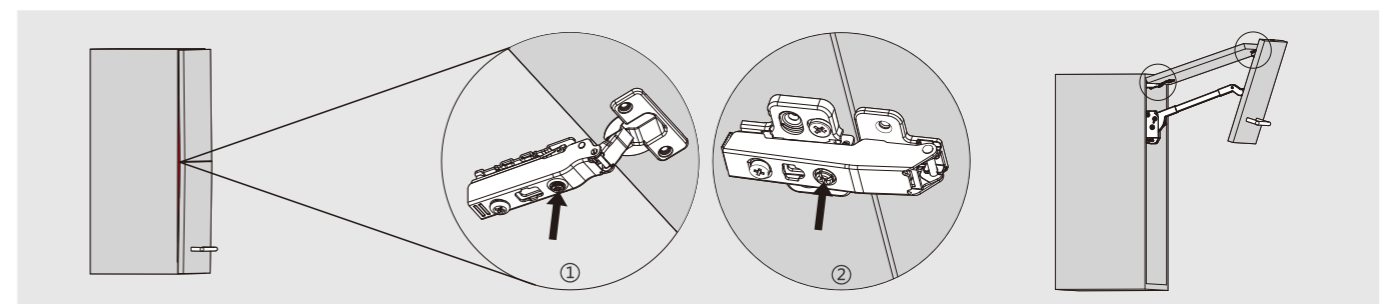


"+" Loose the screw properly when the automatic positioning is too tight to move during door adjustment  
 "- " Tighten the screw properly when the automatic positioning is too loose and doesn't work during door adjustment



Adjust positions of the doors

Lock screw



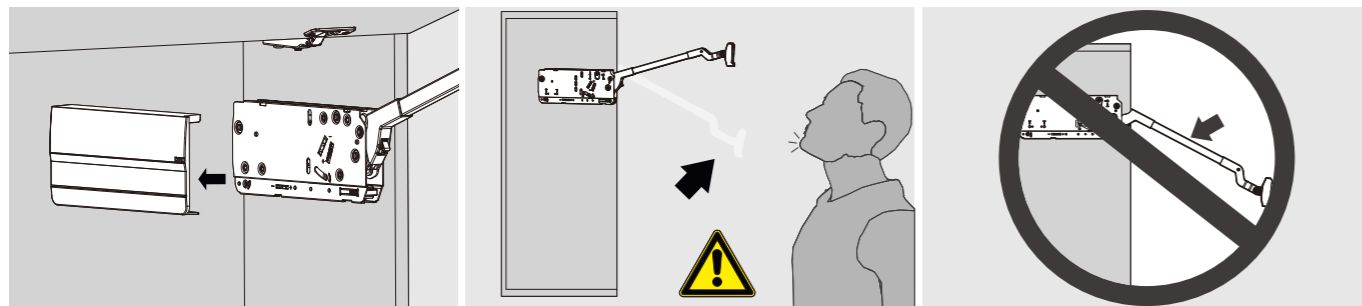
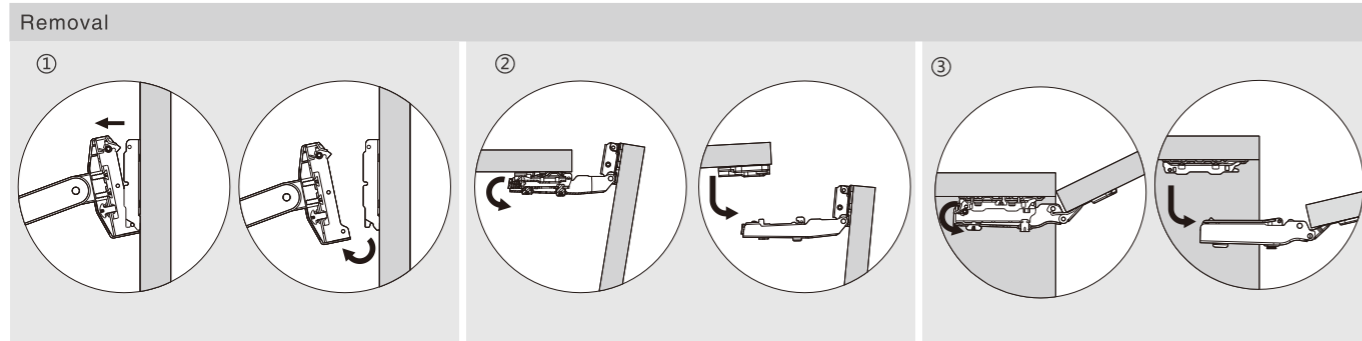
If there is small gap between the doors and the cabinet side; fine-tune the positions of the doors with the adjustment screws



Removal

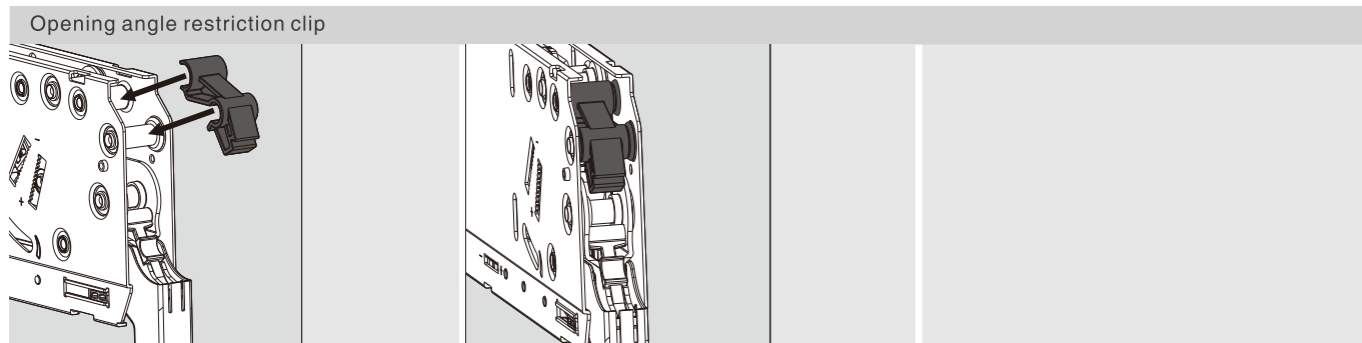
# TOP-STAYS

Assembly , Removal and Adjustment(for ST series Bi-fold Lifting System)

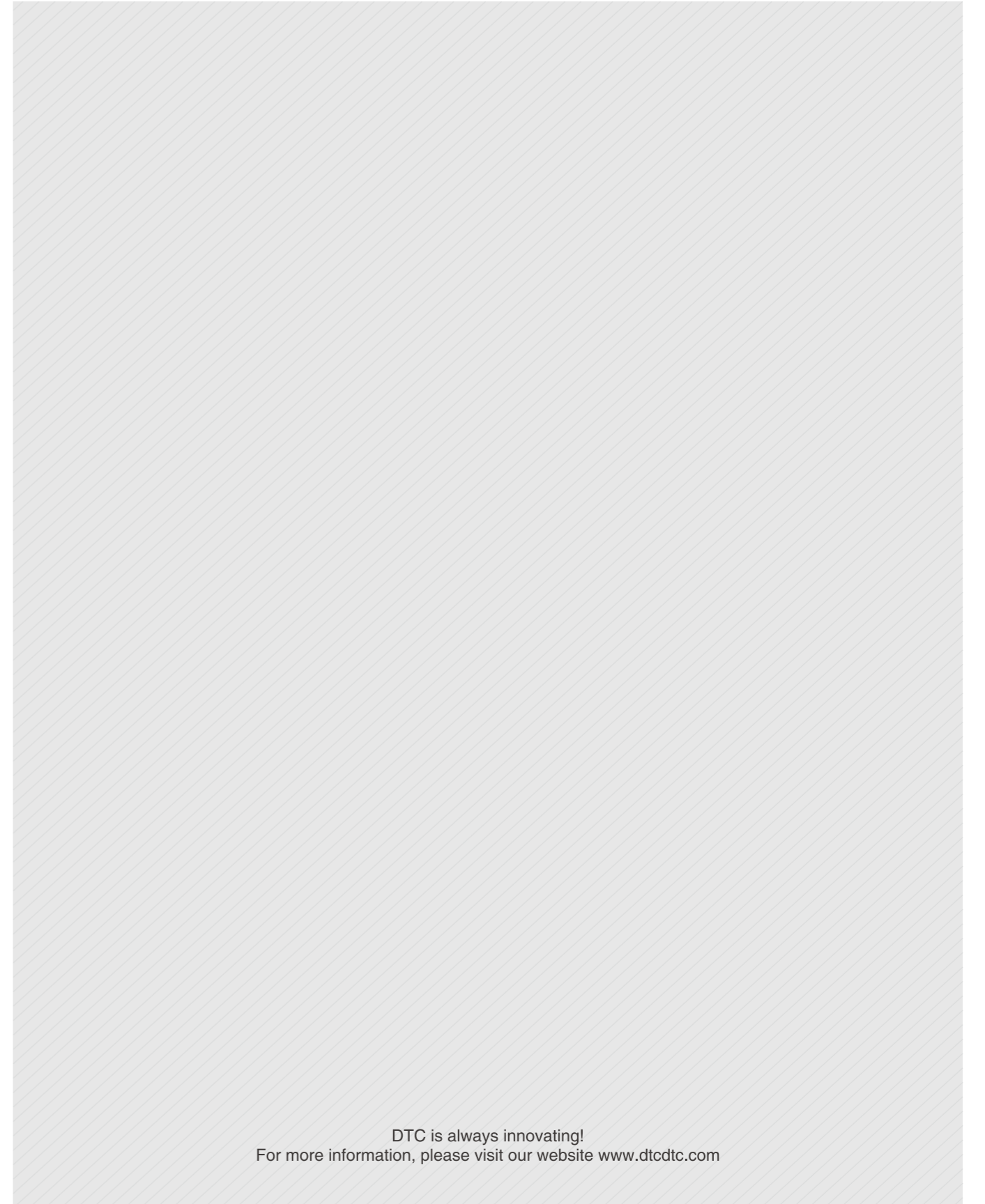
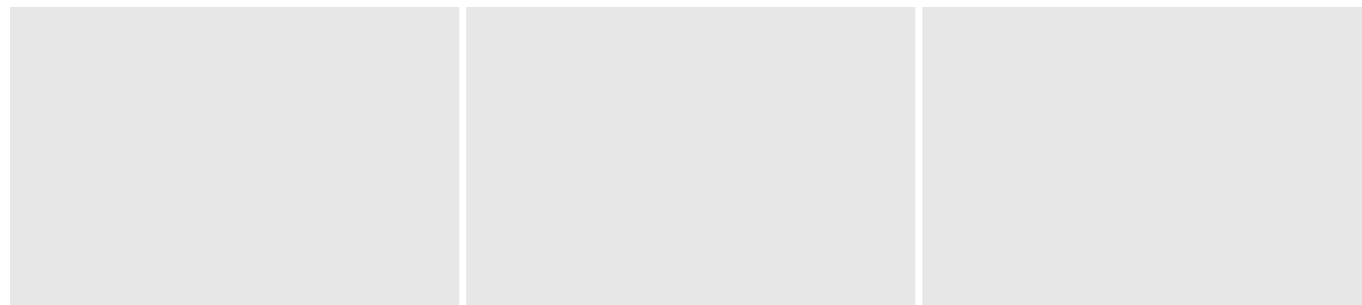


The arm of this device could spring up and cause injury!

Do not push the arm down without door attached



Assembly



DTC is always innovating!  
For more information, please visit our website [www.dtcdtc.com](http://www.dtcdtc.com)