

D-MOTION

DS80 Series Full Extension Undermount Slides with Locking Device



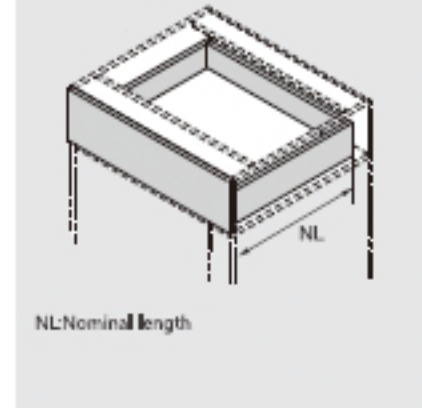
PRODUCT



DESCRIPTION

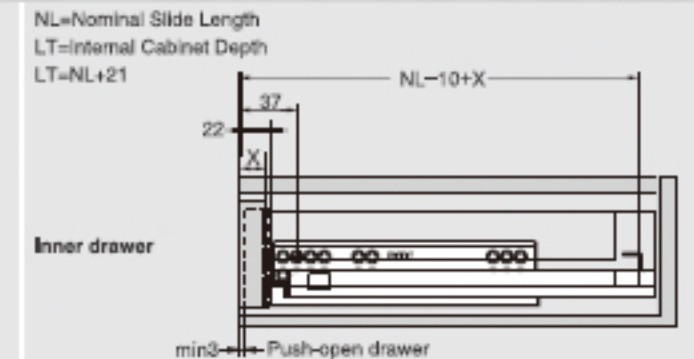
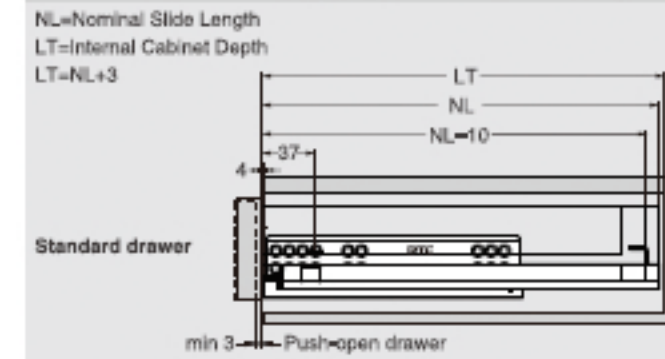
- Load capacity: 35kg
- Finish: zinc plated
- Length: 250-600mm, full extension
- Silent system guarantees smooth run without noise
- 2D adjustment, up&down: 0-3mm, side: ± 1.5mm
- 3D adjustment, up&down: 0-3mm, side: ± 1.5mm, depth: 0-3mm
- Maximum drawer side thickness: 19mm

SPACE REQUIREMENT



PLANNING

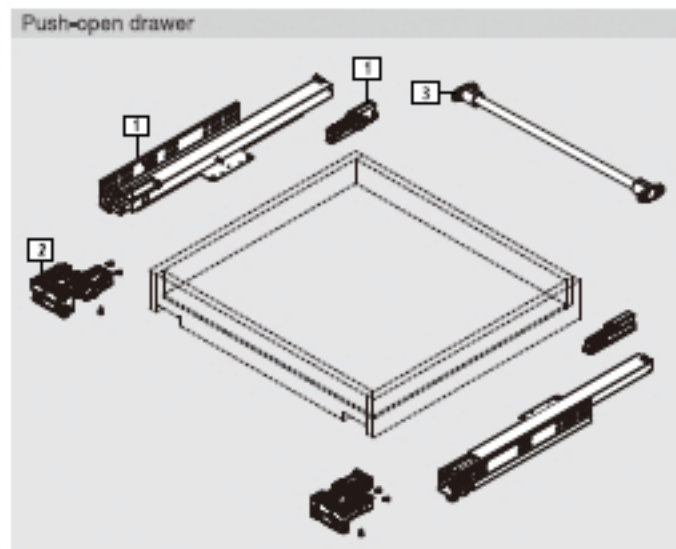
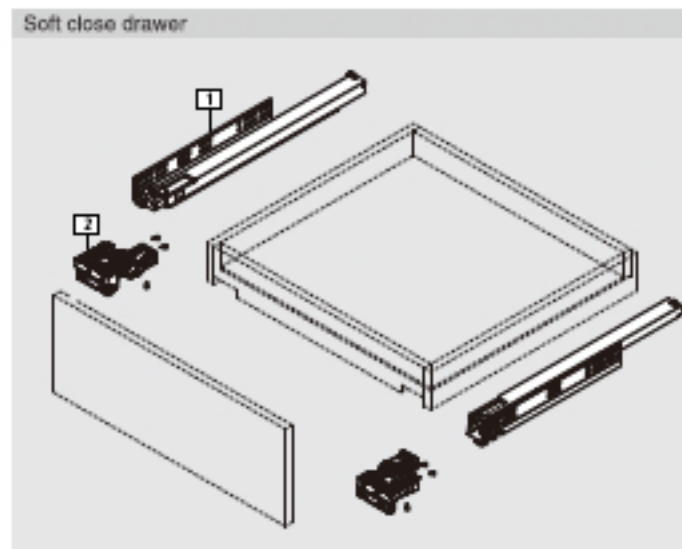
Installation Dimensions(mm)



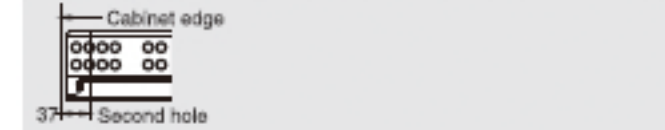
SOFT CLOSE DRAWER/PUSH-OPEN DRAWER

1 Slides (left/right)					
Pre-zinc Steel (F02)					
NL	Soft close Item No.	Set/cdn	Push-open Item No.	Set/cdn	
250mm	DS80250H	DF80250H		10	
270mm	DS80270H	DF80270H		10	
300mm	DS80300H	DF80300H		10	
350mm	DS80350H	DF80350H		10	
400mm	DS80400H	DF80400H		10	
450mm	DS80450H	DF80450H		10	
500mm	DS80500H	DF80500H		10	
550mm	DS80550H	DF80550H		10	
600mm	DS80600H	DF80600H		10	

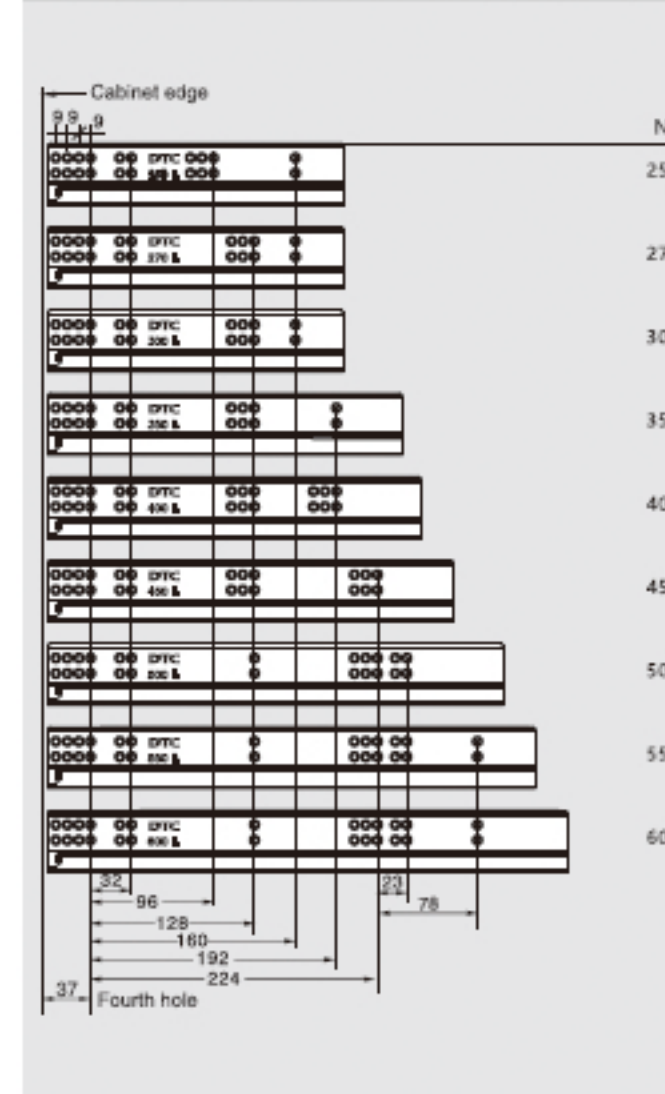
	2D Locking Device (Left/Right)	
	Dark Gray(H11)	
	Item No.	0DSD03-A
	3D Locking Device (Left/Right)	
	Dark Gray(H11)	
	Item No.	0DSD04-A
	Rod for Push-open Synchronization (For cutting to size, 1100mm., Cutting: Internal cabinet width LW=180)	
	Item No.	HT0FH02



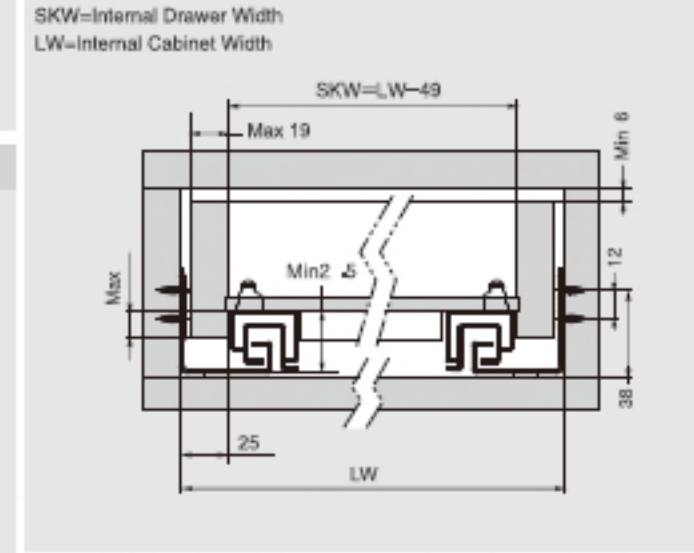
Fixing Hole Position for Inner Drawer(mm)



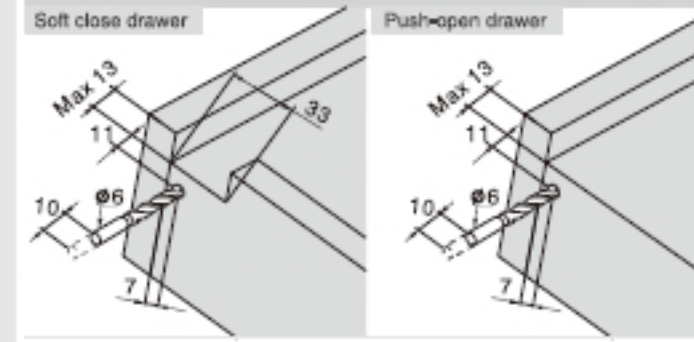
Screw Positions of the Slides(mm)



Installation Dimensions(mm)



Drawer Back Preparation(mm)



Locking Device Installation(mm)

