

---

## DOUBLE-WALL DRAWER SYSTEMS

# MAGIC-STAR PLUS

---



The Metal Straight-sided Slim Drawer

## A Perfect Mix of Function and Elegance



- Linear slim drawer sides - a fashion look and elegant appearance
- Perfect connection between components makes a beautiful drawer



Quietness



Intelligence



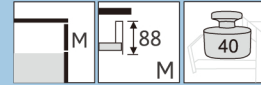
Durability



Eco-Friendliness

# MAGIC-STAR PLUS

## HD11 Series Straight-sided Drawer System (Low Drawer: M Height)



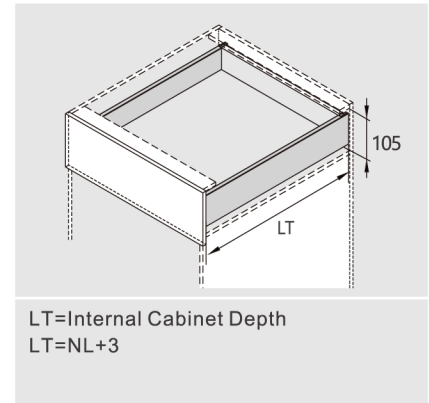
### PRODUCT



### DESCRIPTION

- Concealed, full extension
- Load capacity: 40kg
- Tool free assembly and removal of drawer
- Silent system guarantees smooth run without noise
- 3D adjustment:
  - Up & down adjustment:  $\pm 2\text{mm}$
  - left & right adjustment:  $\pm 1.5\text{mm}$
  - tilt adjustment:  $+1.5\text{mm}, -2.5\text{mm}$
- Finish: Silk white(E29), Grey matt(E30)

### SPACE REQUIREMENT



### LOW DRAWER FOR WOOD DRAWER BACK

Kit Package				
Silk White(E29)! Grey Matt(E30)!				
NL	Soft Close item No.	Push-open item No.	Set/ctn	
270mm	HD11270A17X	HD41270A17X	1	
300mm	HD11300A17X	HD41300A17X	1	
350mm	HD11350A17X	HD41350A17X	1	
400mm	HD11400A17X	HD41400A17X	1	
450mm	HD11450A17X	HD41450A17X	1	
500mm	HD11500A17X	HD41500A17X	1	
550mm	HD11550A17X	HD41550A17X	1	
600mm	HD11600A17X	HD41600A17X	1	

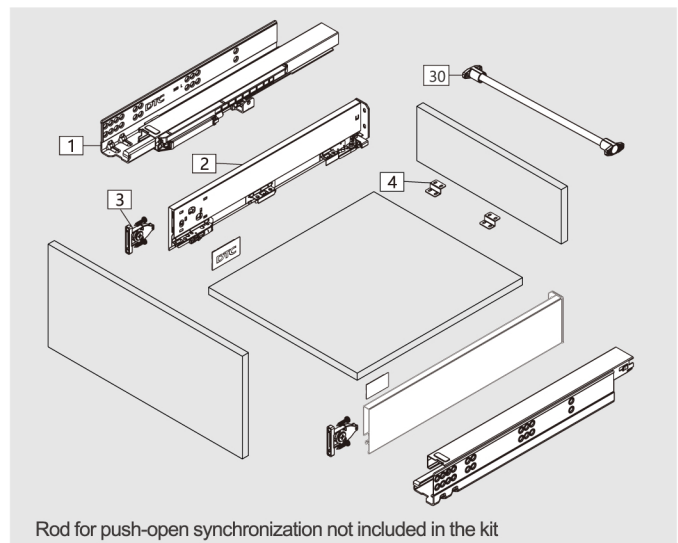
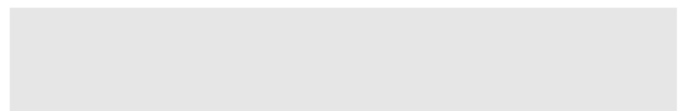
1 Slides (left/right) /Industrial Package				
Pre-zinc Steel(F02)				
NL	Soft Close item No.	Push-open item No.	Set/ctn	
270mm	HD10270H	HD40270H	5	
300mm	HD10300H	HD40300H	5	
350mm	HD10350H	HD40350H	5	
400mm	HD10400H	HD40400H	5	
450mm	HD10450H	HD40450H	5	
500mm	HD10500H	HD40500H	5	
550mm	HD10550H	HD40550H	5	
600mm	HD10600H	HD40600H	5	

2 Drawer Sides and Cover Caps (left/right) /Industrial Package		
Silk White(E29)! Grey Matt(E30)!		
NL	Item No.	Set/ctn
270mm	HE112707X	5
300mm	HE113007X	5
350mm	HE113507X	5
400mm	HE114007X	5
450mm	HE114507X	5
500mm	HE115007X	5
550mm	HE115507X	5
600mm	HE116007X	5

3 Front Fixing-brackets (left/right) / Industrial Package		
Pre-zinc Steel(F02)		
	Item No.	Set/ctn
Screw-on	HE11011X	120
Press-in	HE11016X	120

30 Rod for Push-open Synchronization / Industrial Package	
Size:1100mm.Cutting:Internal cabinet width LW-172 for Nominal Side Length: 350mm, 400mm, 450mm, 500mm, 550mm, 600mm	
Item No.	HT0FH02
Set/ctn	60

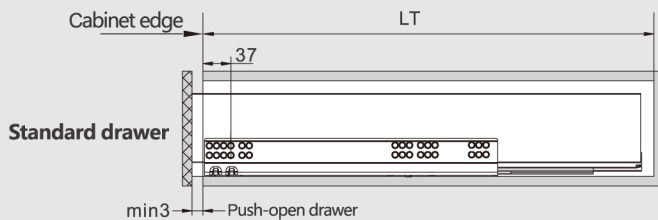
4 Fixing-brackets	
Zinc plated(B04)	
Item No.	HT10082
Pcs/ctn	400



## PLANNING

### Installation Dimensions(mm)

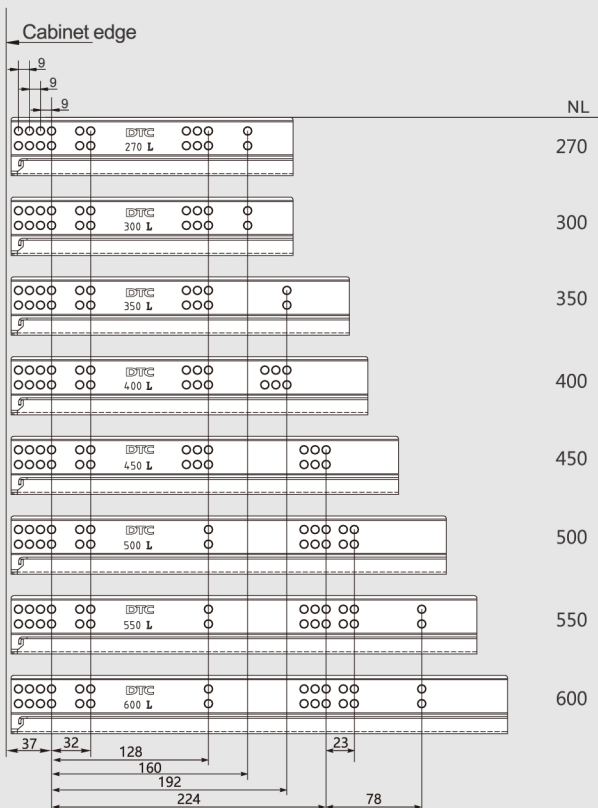
NL=Nominal Slide Length  
 LT=Internal Cabinet Depth  
 LT=NL+3



### Cabinet Configuration

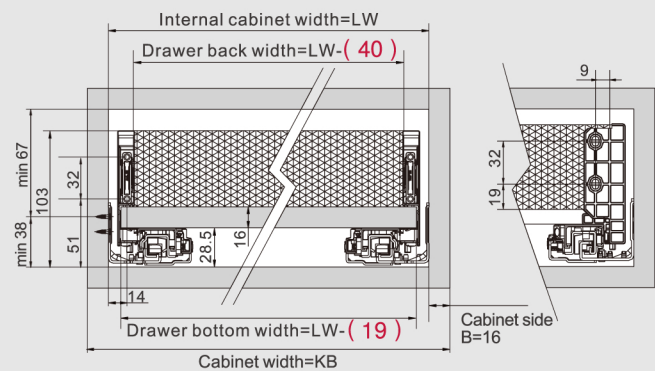
Cabinet widths/KB(mm)	Push-open drawer Synchronization rod	
300	○	○ recommended ● strongly recommended
350	○	
400	○	
450	○	
500	○	
600	○	
800	●	
900	●	
1000	●	
1200	●	

### Screw Positions of the Slides(mm)

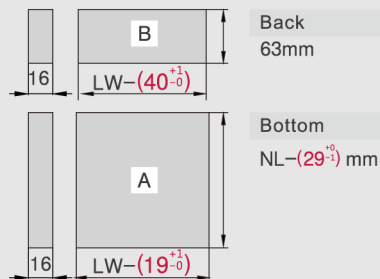
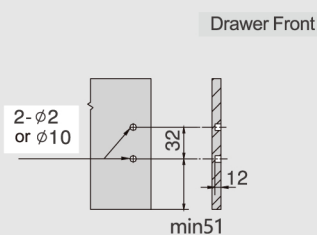


### Installation Dimensions(mm)

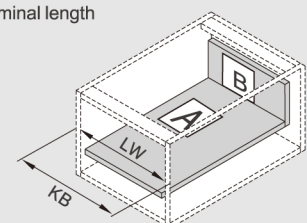
LW=Internal Cabinet Width



### Drawer Front, Back and Bottom Dimensions(mm)



KB Cabinet width  
 LW Internal cabinet width  
 NL Nominal length

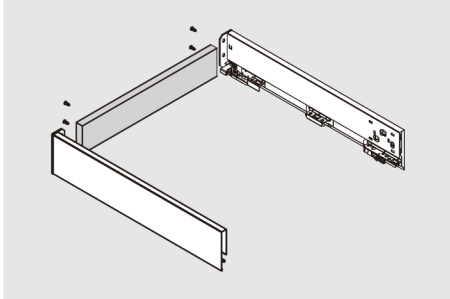


# ASSEMBLY AND ADJUSTMENT

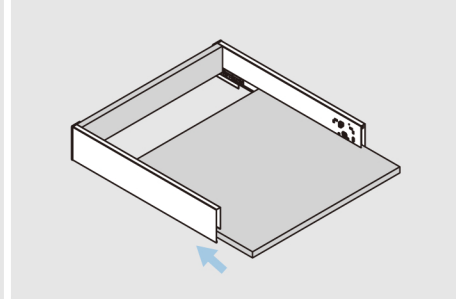
Assembly and Adjustment(for MAGIC-STAR PLUS)



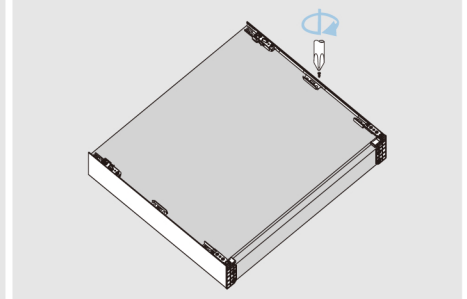
## Drawer Assembly



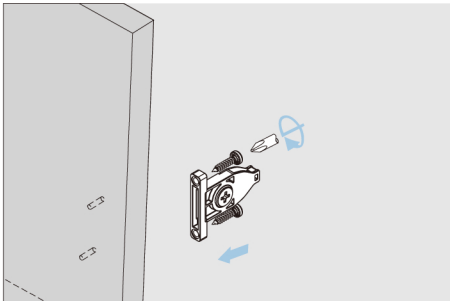
Back assembly



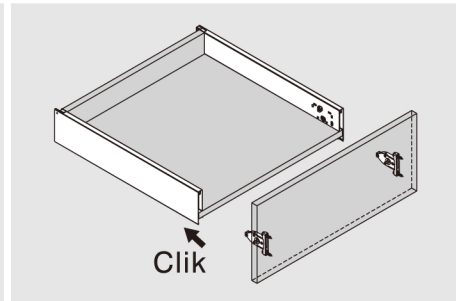
Bottom assembly



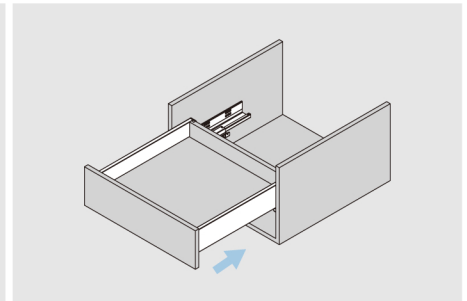
Fix screws



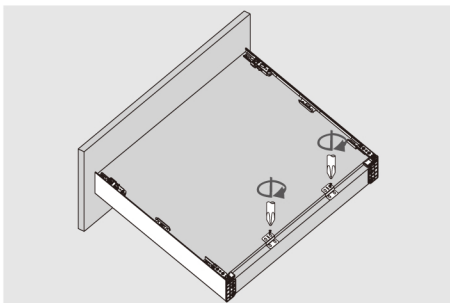
Front assembly



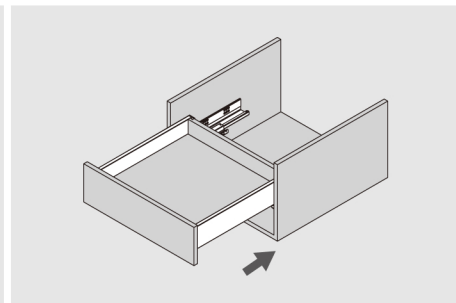
Clik



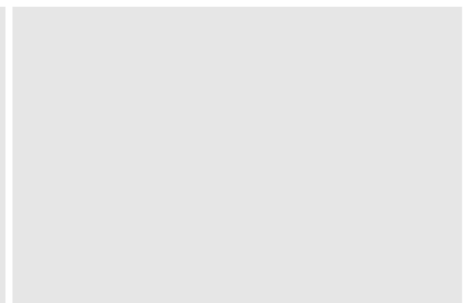
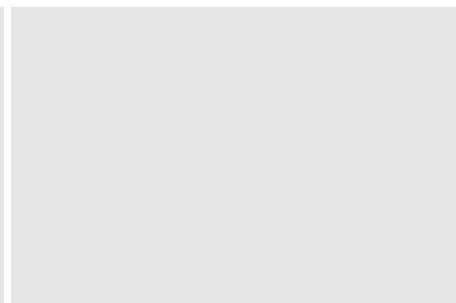
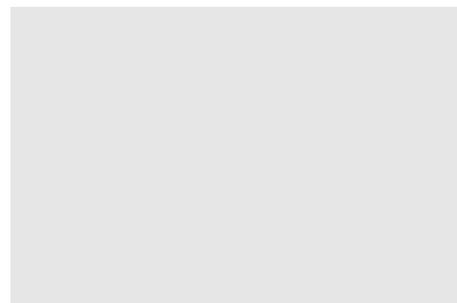
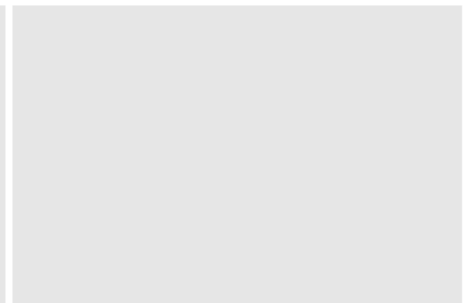
Slide into the cabinet



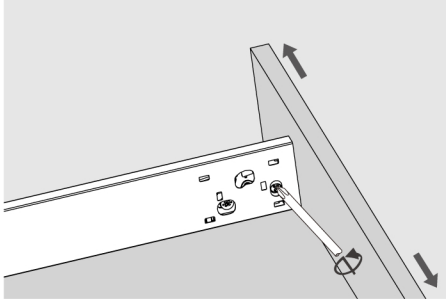
Fixing-brackets assembly



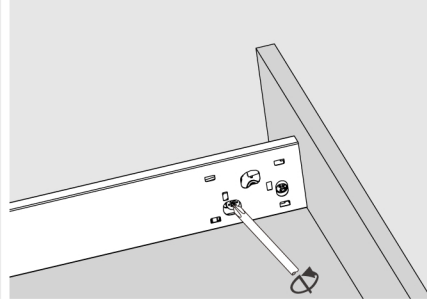
Slide into the cabinet



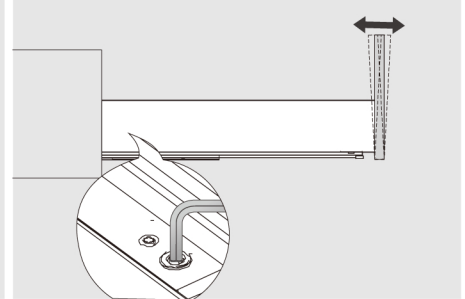
Adjustments for Lower/Medium Drawer (M/K Height)



Left&right adjustment

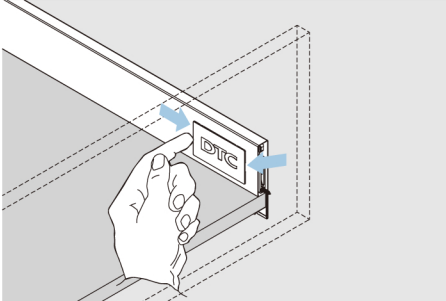


Up&down adjustment

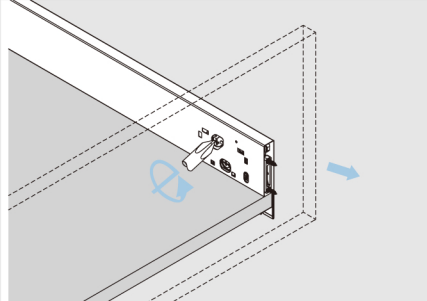


Tilt adjustment (by M3 Allen key)

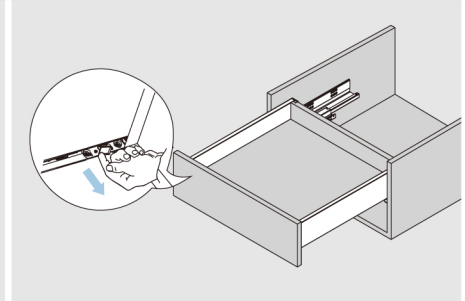
Removal for Lower/Medium Drawer (M/K Height)



Tip up the cover and pull out

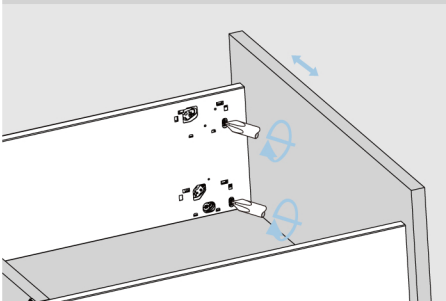


Turn screw driver to release the drawer front

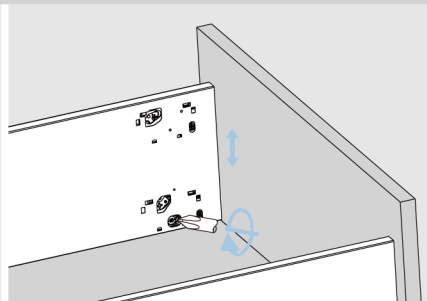


Press the locking device under drawer bottom and pull out the drawer

Adjustments for High Drawer/Super High Drawer (C/F Height)

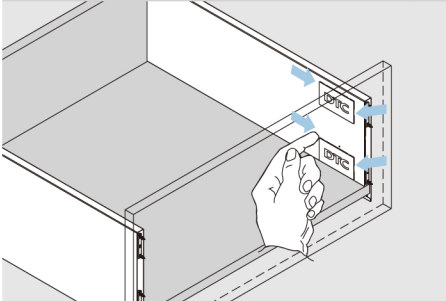


Left&right adjustment

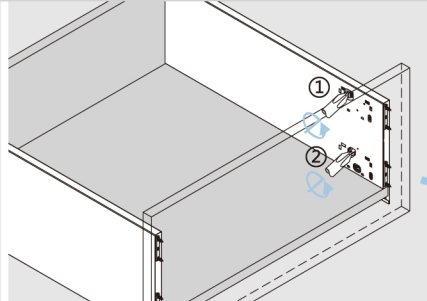


Up&down adjustment

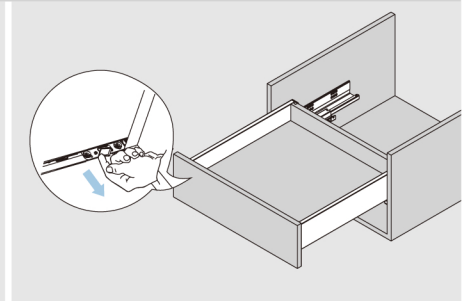
Removal of High Drawer/Super High Drawer (C/F Height)



Tip up the cover and pull out



Turn screw driver to release the drawer front



Press the locking device under drawer bottom and pull out the drawer