



EPOXY SLIDES

SINGLE-WALL
DRAWER SYSTEMS

SINGLE-WALL DRAWER

Epoxy Slides

Single-wall Drawers
of Various Heights



- Precision manufacturing delivers a very flat and evenly coated runner track on which the rollers run smoothly.
- Various colours, lengths and heights available.
- An economical drawer solution.



Quietness



Intelligence



Durability



Eco-Friendliness

SINGLE-WALL DRAWER SYSTEMS

F11D 54mm Single-wall Drawer Systems



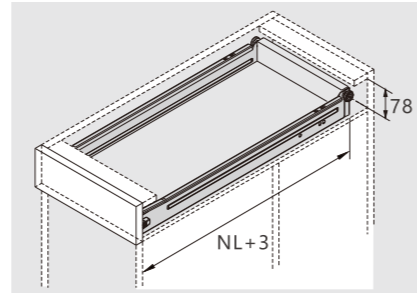
PRODUCT



DESCRIPTION

- Load capacity: 25kg
- Self-closing
- Double stop positions
- 2D adjustment:
up & down adjustment: ±2mm
left & right adjustment: ±2mm
- Lengths: 270-550mm
- Silent wheels
- Finish: white(E01)/Silver grey(E07)

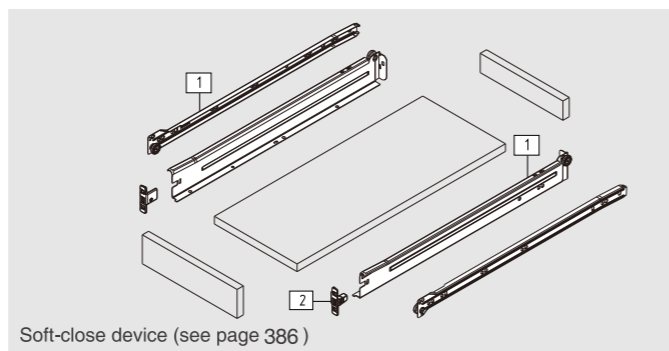
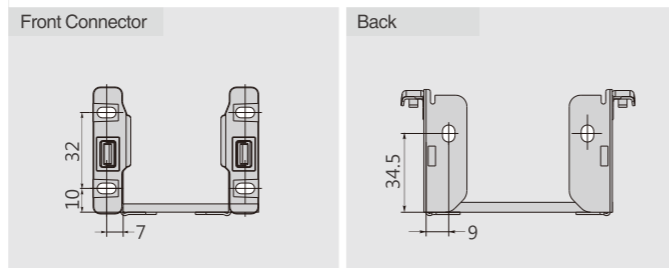
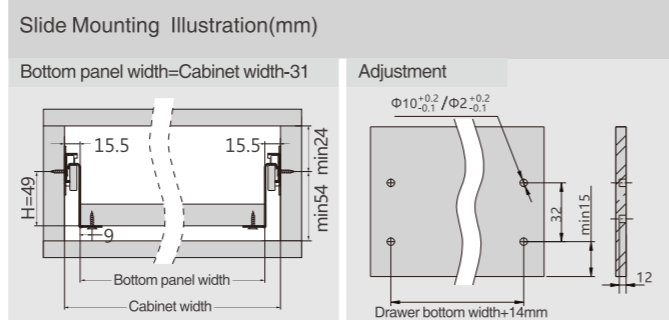
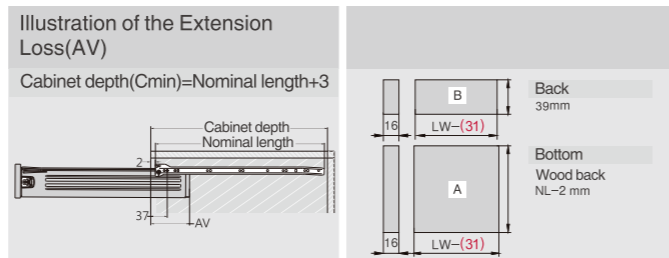
SPACE REQUIREMENT



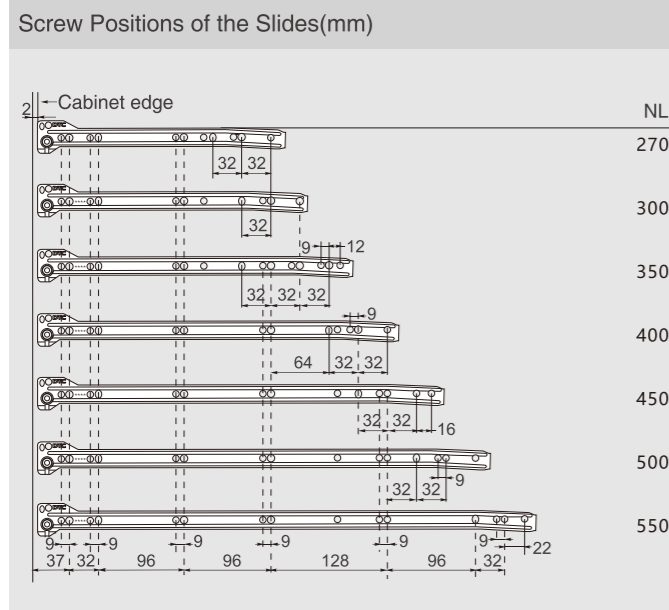
NL Nominal Length

SUPER LOW DRAWER FOR WOOD DRAWER BACK

1 Slides (left/right)			
White(E01) Silver Grey(E07)			
NL	Thickness 1.2mm Item No.	Set/ctn	
270mm	F11D110	10	
300mm	F11D120	10	
350mm	F11D140	10	
400mm	F11D160	10	
450mm	F11D180	10	
500mm	F11D200	10	
550mm	F11D220	10	



Soft-close device (see page 386)



SINGLE-WALL DRAWER SYSTEMS

F12E 86mm Single-wall Drawer Systems



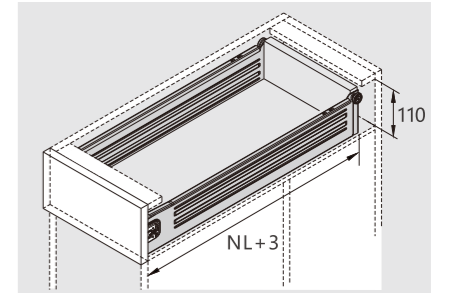
PRODUCT



DESCRIPTION

- Load capacity: 25kg
- Self-closing
- Double stop positions
- 2D adjustment:
up & down adjustment: ±2mm
left & right adjustment: ±2mm
- Lengths: 270-550mm
- Silent wheels
- Finish: white(E01)/Silver grey(E07)

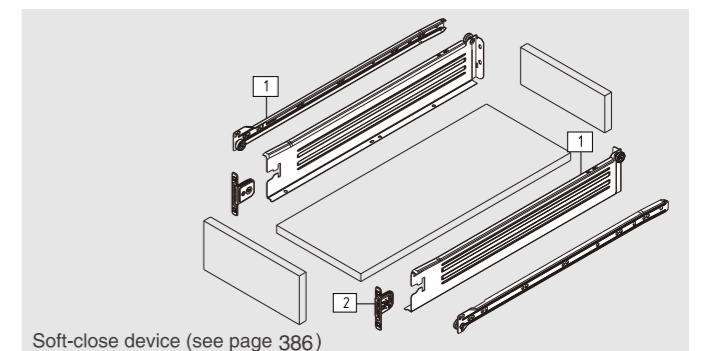
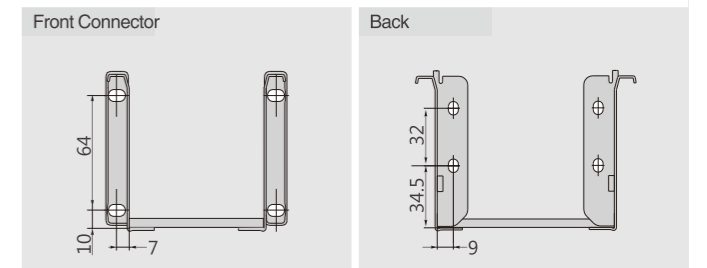
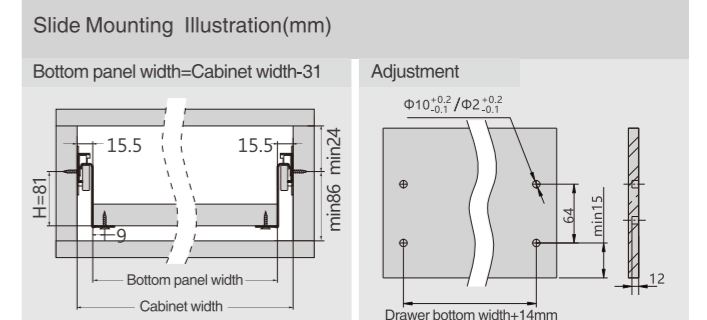
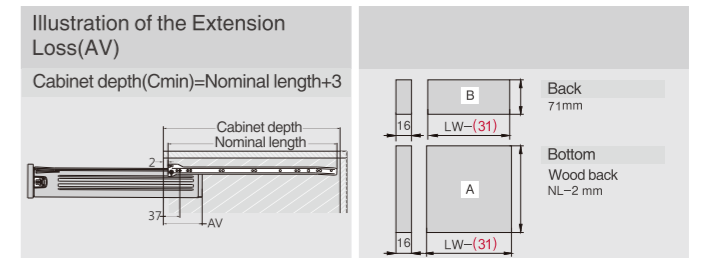
SPACE REQUIREMENT



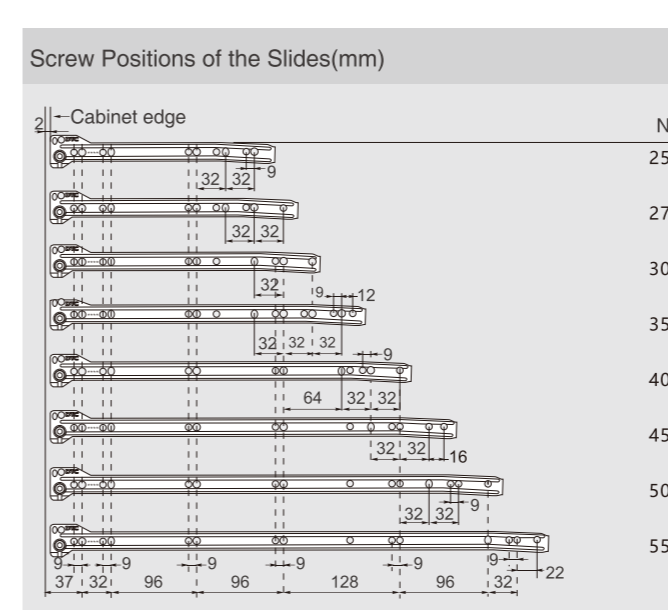
NL Nominal length

LOW DRAWER FOR WOOD DRAWER BACK

1 Slides (left/right)			
White(E01) Silver Grey(E07)			
NL	Thickness 1.2mm Item No.	Set/ctn	
250mm	F12E100	10	
270mm	F12E110	10	
300mm	F12E120	10	
350mm	F12E140	10	
400mm	F12E160	10	
450mm	F12E180	10	
500mm	F12E200	10	
550mm	F12E220	10	



Soft-close device (see page 386)



SINGLE-WALL DRAWER SYSTEMS

F13G 118mm Single-wall Drawer Systems



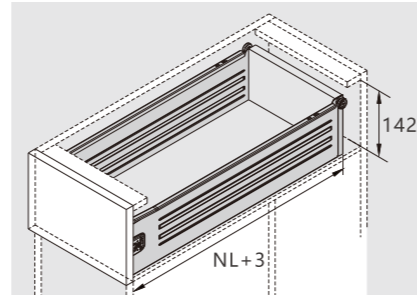
PRODUCT



DESCRIPTION

- Load capacity: 25kg
- Self-closing
- Double stop positions
- 2D adjustment:
up & down adjustment: ±2mm
left & right adjustment: ±2mm
- Lengths: 270-550mm
- Silent wheels
- Finish: white(E01)/Silver grey(E07)

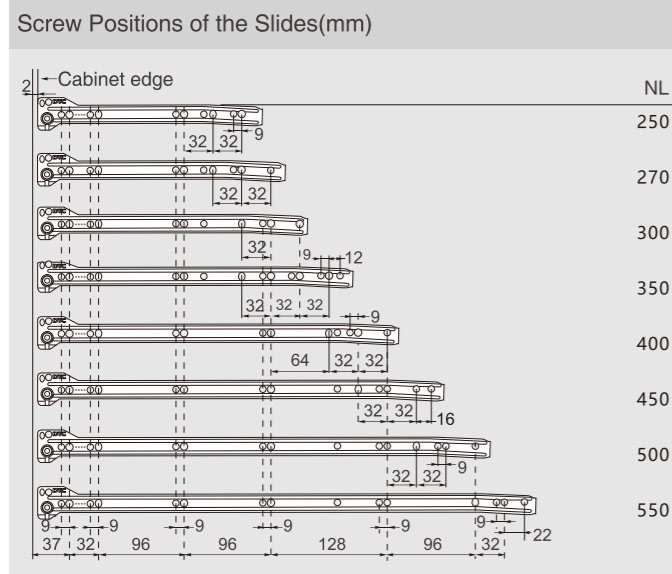
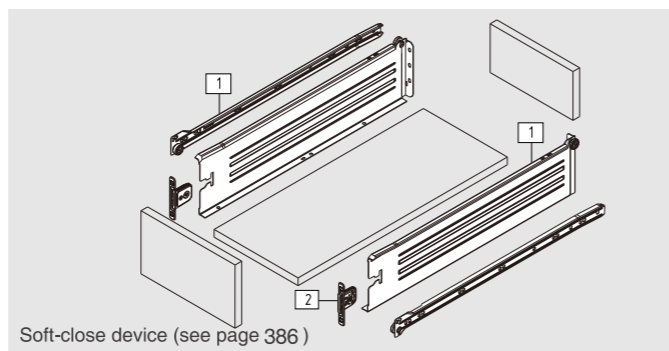
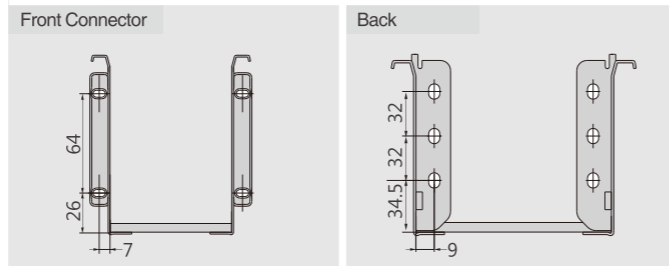
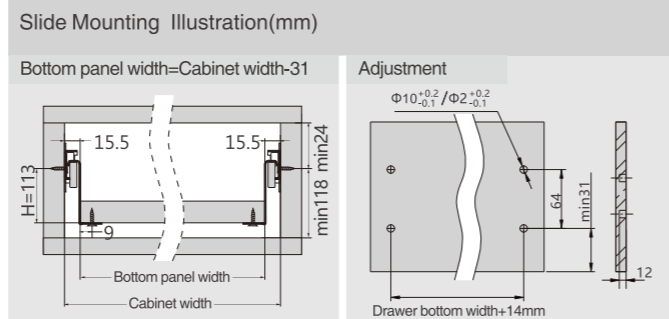
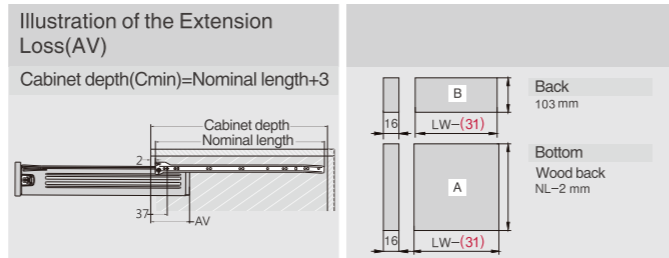
SPACE REQUIREMENT



NL Nominal length

MEDIUM DRAWER FOR WOOD DRAWER BACK

1 Slides (left/right)			
White(E01) Silver Grey(E07)			
NL	Thickness 1.2mm item No.	Set/ctn	
250mm	F13G100	10	
270mm	F13G110	10	
300mm	F13G120	10	
350mm	F13G140	10	
400mm	F13G160	10	
450mm	F13G180	10	
500mm	F13G200	10	
550mm	F13G220	10	



SINGLE-WALL DRAWER SYSTEMS

F14K 150mm Single-wall Drawer Systems



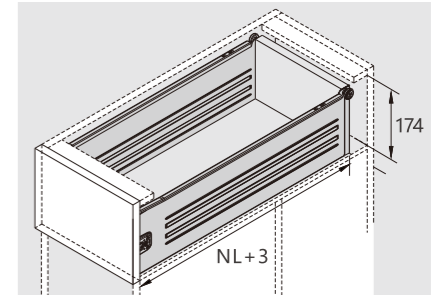
PRODUCT



DESCRIPTION

- Load capacity: 25kg
- Self-closing
- Double stop positions
- 2D adjustment:
up & down adjustment: ±2mm
left & right adjustment: ±2mm
- Lengths: 270-550mm
- Silent wheels
- Finish: white(E01)/Silver grey(E07)

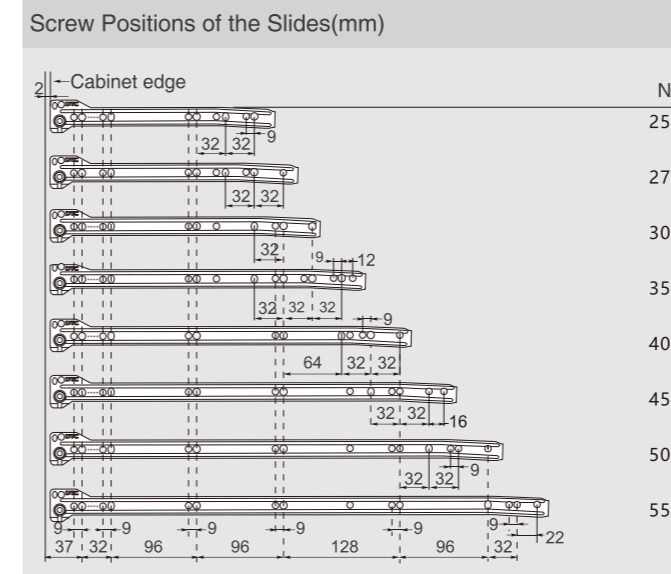
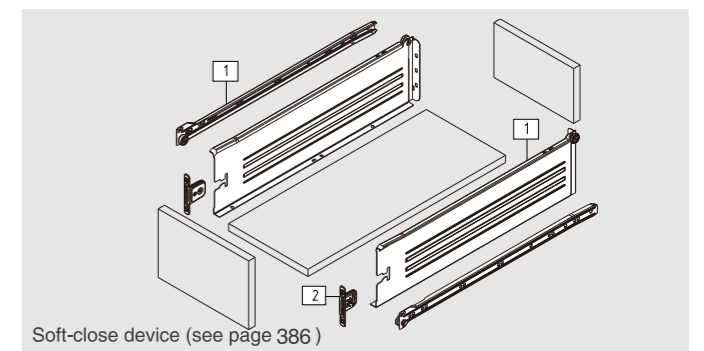
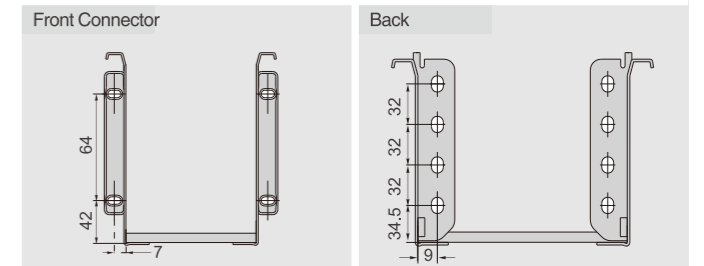
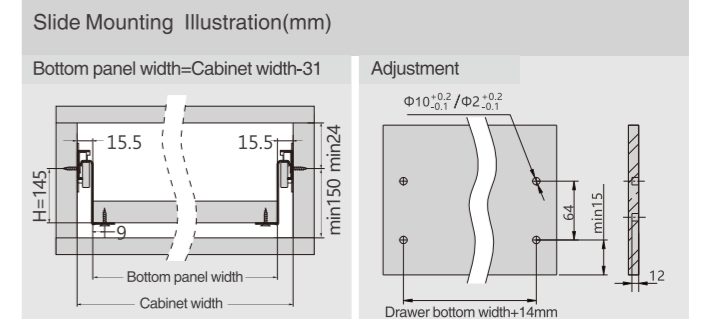
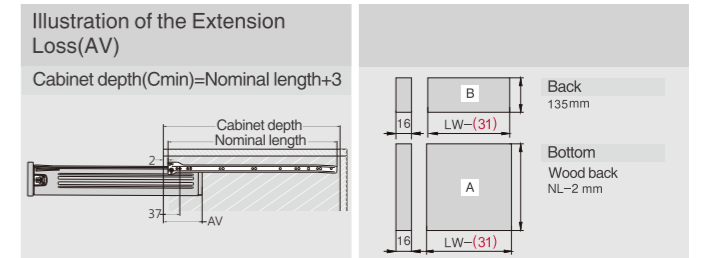
SPACE REQUIREMENT



NL Nominal length

HIGH DRAWER FOR WOOD DRAWER BACK

1 Slides (left/right)			
White(E01) Silver Grey(E07)			
NL	Thickness 1.2mm item No.	Set/ctn	
250mm	F14K100	10	
270mm	F14K110	10	
300mm	F14K120	10	
350mm	F14K140	10	
400mm	F14K160	10	
450mm	F14K180	10	
500mm	F14K200	10	
550mm	F14K220	10	



SINGLE-WALL DRAWER SYSTEMS

F15J 214mm Single-wall Drawer Systems



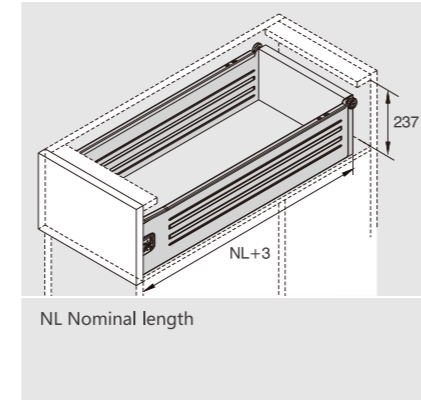
PRODUCT



DESCRIPTION

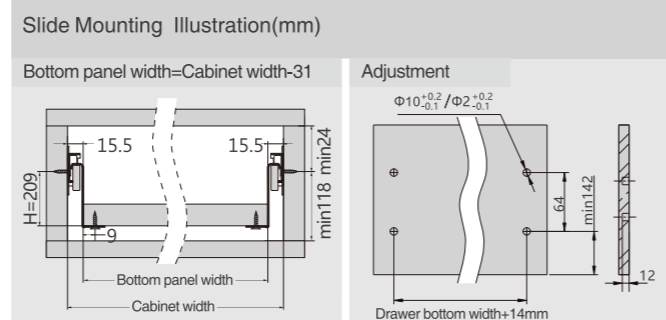
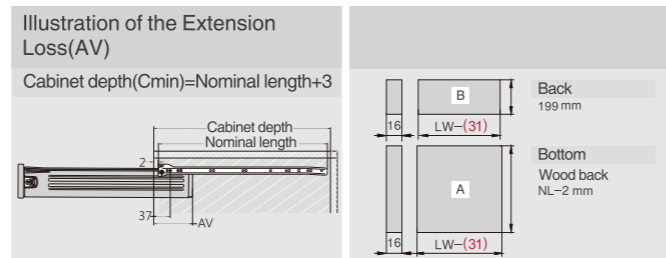
- Load capacity: 25kg
- Self-closing
- Double stop positions
- 2D adjustment:
up & down adjustment: ±2mm
left & right adjustment: ±2mm
- Lengths: 270-550mm
- Silent wheels
- Finish: white(E01)/Silver grey(E07)

SPACE REQUIREMENT



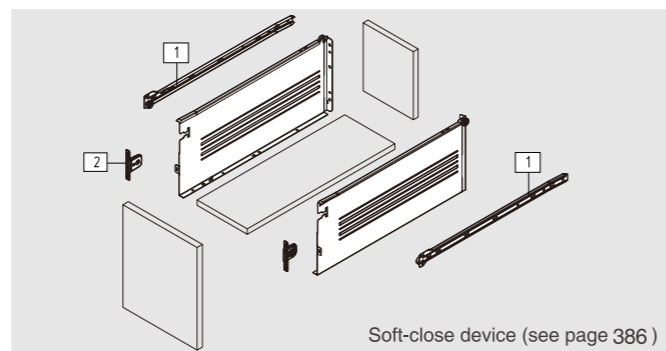
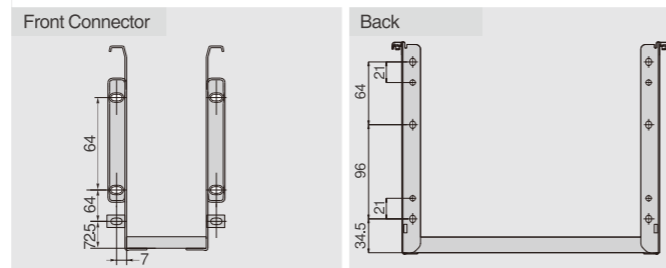
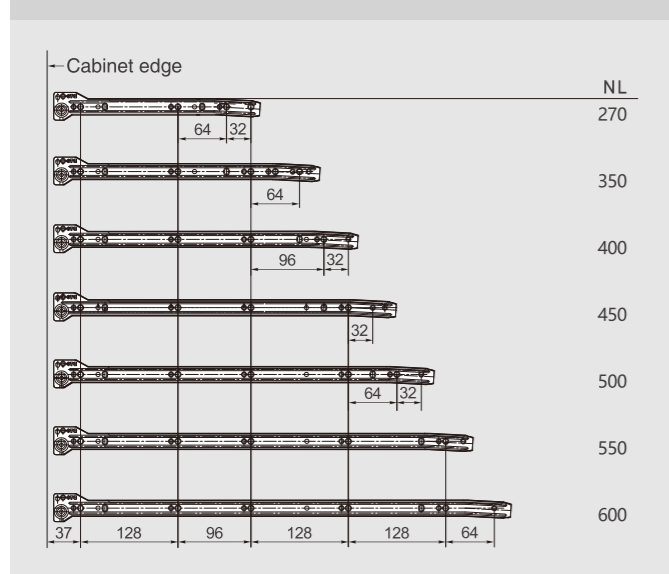
EXTRA HIGH DRAWER FOR WOOD DRAWER BACK

1 Slides (left/right)			
White(E01)! Silver Grey(E07)			
NL	Thickness 1.2mm item No.	Set/ctn	
270mm	F15J1101	10	
350mm	F15J1401	10	
400mm	F15J1601	10	
450mm	F15J1801	10	
500mm	F15J2001	10	
550mm	F15J2201	10	
600mm	F15J2401	10	

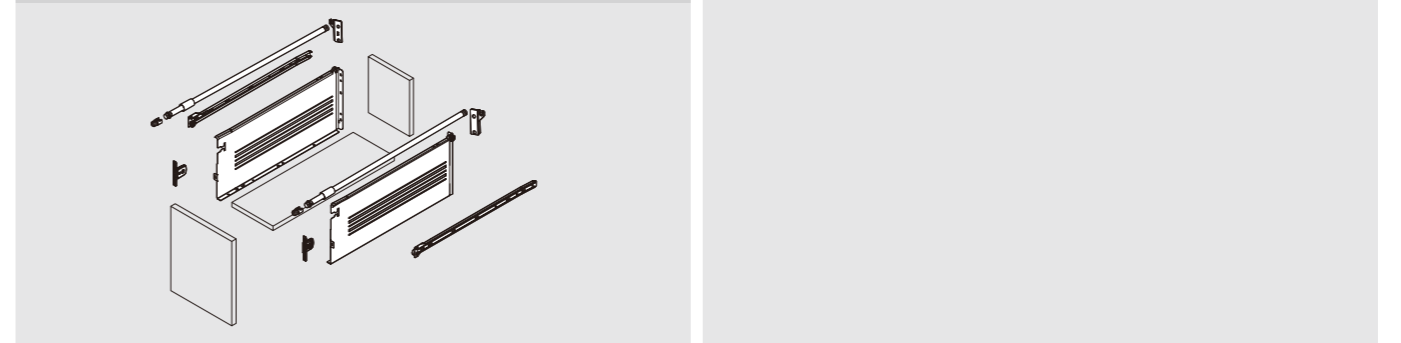


4 Front Fixing-brackets left/right Nickel Plated(A02)			
	Item No.	Pcs/ctn	
Screw-on	L1M	200	
Press-in	L1MM	200	

Screw Positions of the Slides(mm)



Side Rail Options for Single Wall Drawer



Round Side Rail set (Press-in Dowel) (left/right) / Industrial Package			Round Side Rail set (Screw-on) (left/right) / Industrial Package			Round Side Rail set (Fast Assembly Dowel) (left/right) / Industrial Package		
White(E01A)! Grey(E03)! Silver Grey(E07)	Item No.	Set/ctn	White(E01A)! Grey(E03)! Silver Grey(E07)	Item No.	Set/ctn	White(E01A)! Grey(E03)! Silver Grey(E07)	Item No.	Set/ctn
NL			NL			NL		
250mm	HY10C	50	250mm	HY10-X	50	250mm	HY10A	50
300mm	HY12C	50	300mm	HY12-X	50	300mm	HY12A	50
350mm	HY14C	50	350mm	HY14-X	50	350mm	HY14A	50
400mm	HY16C	50	400mm	HY16-X	50	400mm	HY16A	50
450mm	HY18C	50	450mm	HY18-X	50	450mm	HY18A	50
500mm	HY20C	50	500mm	HY20-X	50	500mm	HY20A	50
550mm	HY22C	50	550mm	HY22-X	50	550mm	HY22A	50

ROLLER SLIDES

A Series Bottom Mounted Epoxy Roller Slides



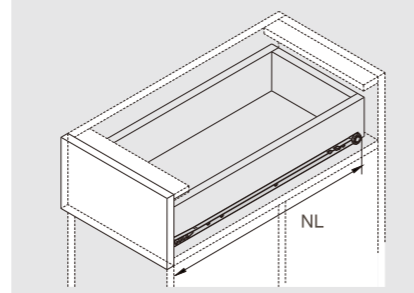
PRODUCT



DESCRIPTION

- Load capacity: 25kg
- Self-closing
- Double stop positions
- Lengths: 250-600mm
- Silent wheels
- Finish: white(E01)/grey(E03)/brown(E04)/black(E05)

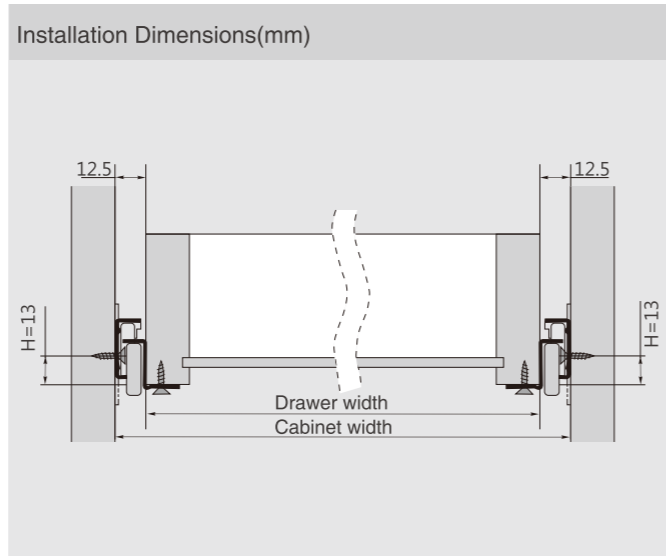
SPACE REQUIREMENT



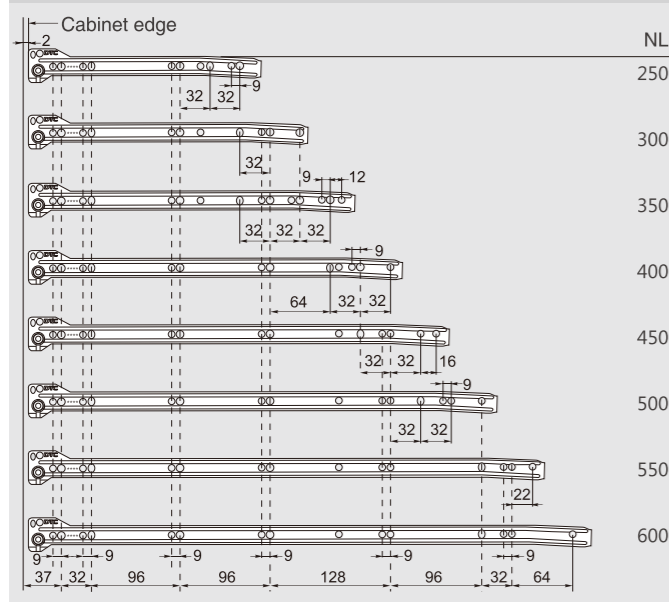
NL Nominal length

ORDER INFORMATION

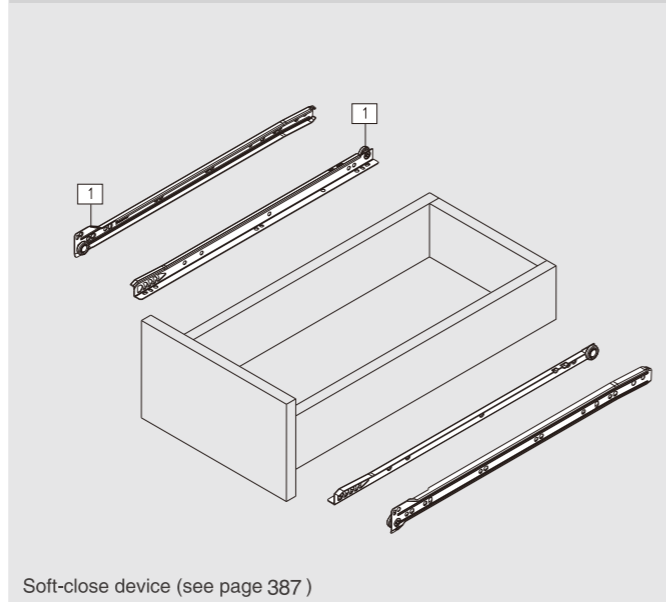
1 Slides (left/right)			
White(E01)! Grey(E03)! Brown(E04)! Black(E05)			
NL	Thickness 1.0mm item No.	Thickness 1.2mm item No.	Set/ctn
250mm	A109	A101	24
300mm	A129	A121	24
350mm	A149	A141	24
400mm	A169	A161	24
450mm	A189	A181	24
500mm	A209	A201	24
550mm	A229	A221	24
600mm	A249	A241	24



Screw Positions of the Slides(mm)



Drawer



ROLLER SLIDES

L Series Bottom Mounted Epoxy Roller Slides



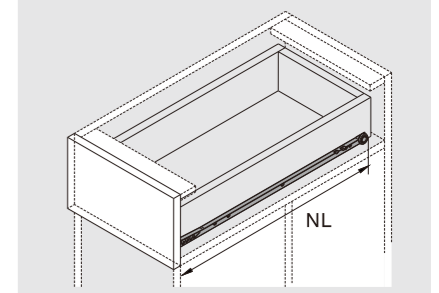
PRODUCT



DESCRIPTION

- Load capacity: 25kg
- Self-closing
- Double stop positions
- Lengths: 250-600mm
- Silent wheels
- Finish: white(E01)/grey(E03)/brown(E04)/black(E05)

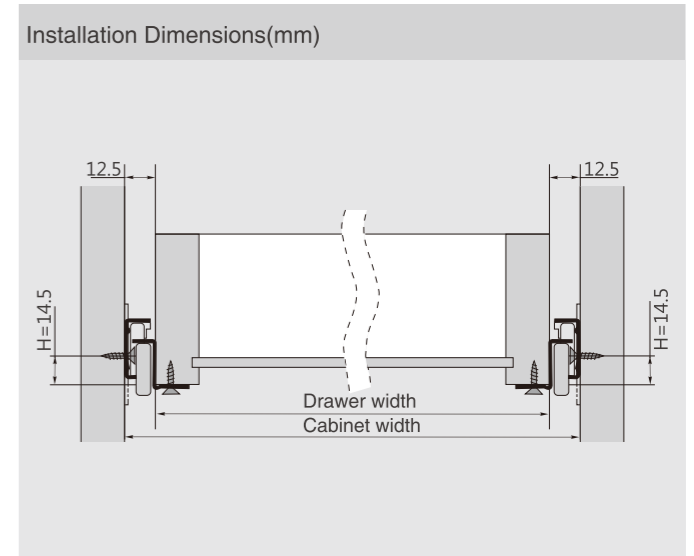
SPACE REQUIREMENT



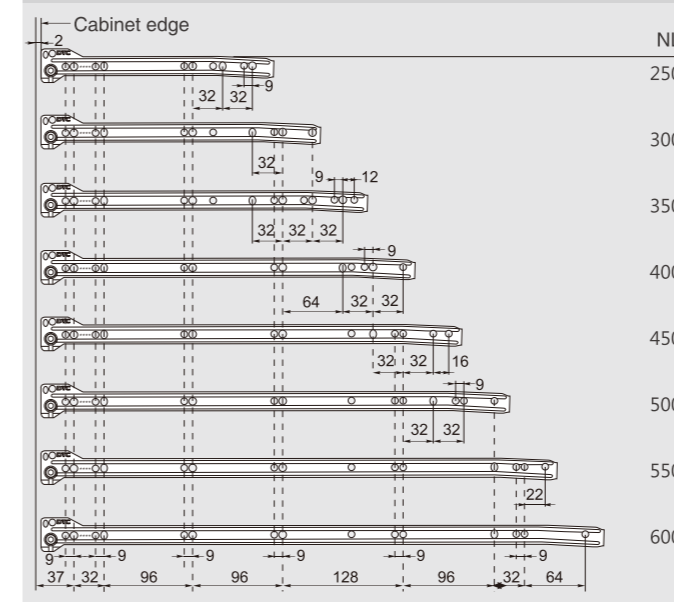
NL Nominal length

ORDER INFORMATION

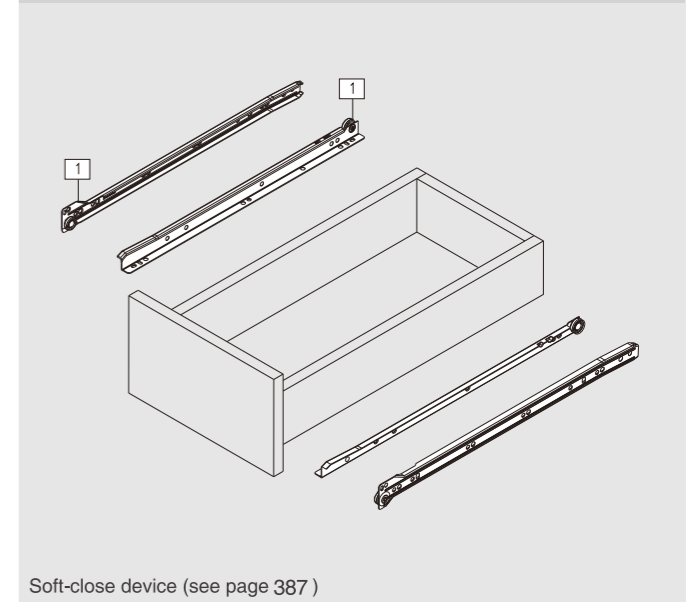
1 Slides (left/right)			
White(E01)! Grey(E03)! Brown(E04)! Black(E05)			
NL	Thickness 1.0mm item No.	Thickness 1.2mm item No.	Set/ctn
250mm	L109	L101	24
300mm	L129	L121	24
350mm	L149	L141	24
400mm	L169	L161	24
450mm	L189	L181	24
500mm	L209	L201	24
550mm	L229	L221	24
600mm	L249	L241	24



Screw Positions of the Slides(mm)



Drawer

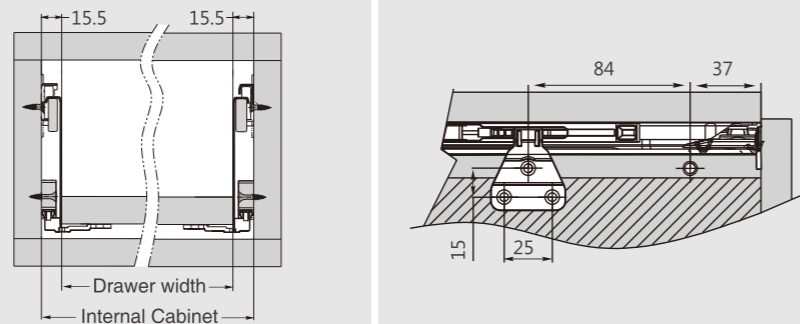




ORDER INFORMATION

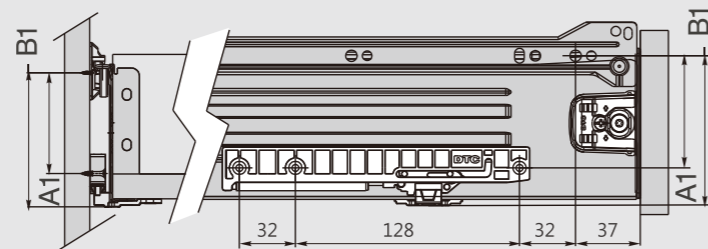
Soft-close Device Installation for Single-wall Drawer

Slide length 250-300mm(10"-12")



Item No. **W-HC1A**
Set/ctn 200

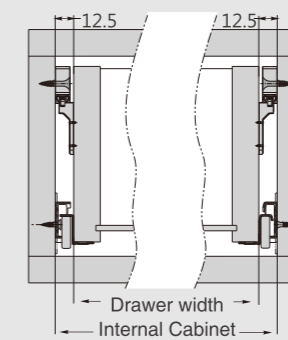
Panel height(mm)	A1(mm)	B1(mm)
54	32	54
86	64	86
118	96	118
150	128	150
214	192	214



ORDER INFORMATION

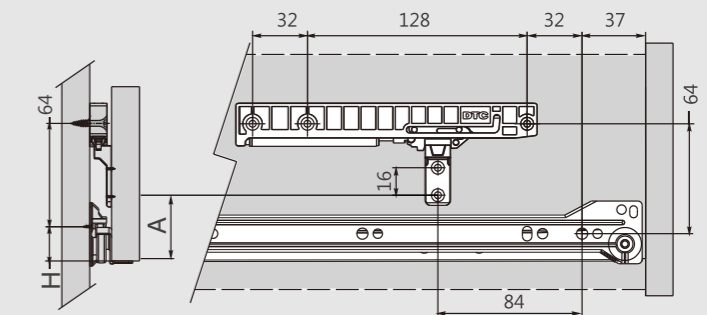
Soft-close Device Installation for Roller Slide

Slide length 250-300mm(10"-12")



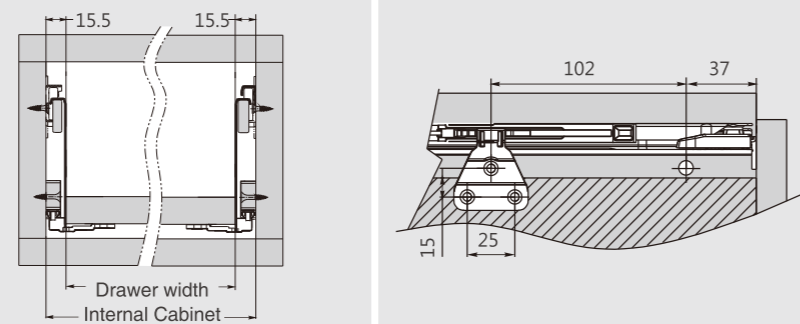
Item No. **W-HC1A-1**
Set/ctn 200

H(mm)	A(mm)
14.5	37
13	35.5



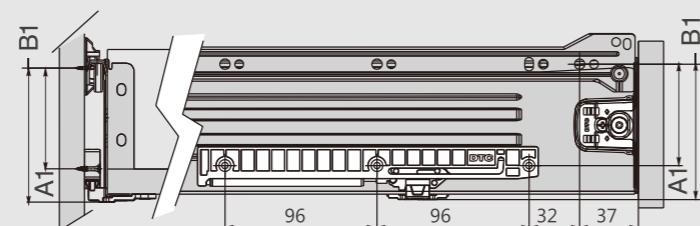
Soft-close Device Installation for Single-wall Drawer

Slide length 350-550mm(14"-22")



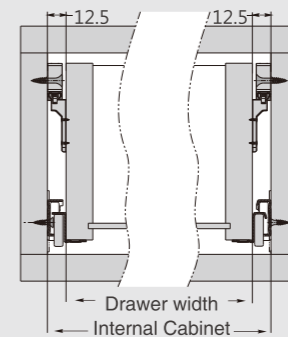
Item No. **W-HC1**
Set/ctn 200

Panel height(mm)	A1(mm)	B1(mm)
54	32	54
86	64	86
118	96	118
150	128	150
214	192	214



Soft-close Device Installation for Roller Slide

Slide length 350-600mm(14"-24")



Item No. **W-HC1-1**
Set/ctn 200

H(mm)	A(mm)
14.5	37
13	35.5

