



DOUBLE-WALL DRAWER SYSTEMS

MAGIC-STAR PLUS

MAGIC-STAR PLUS

The Metal Straight-sided Slim Drawer

A Perfect Mix of Function and Elegance



- Linear slim drawer sides - a fashion look and elegant appearance
- Perfect connection between components makes a beautiful drawer



Quietness



Intelligence



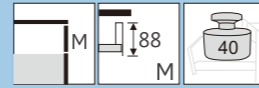
Durability



Eco-Friendliness

MAGIC-STAR PLUS

HD11 Series Straight-sided Drawer System (Low Drawer: M Height)



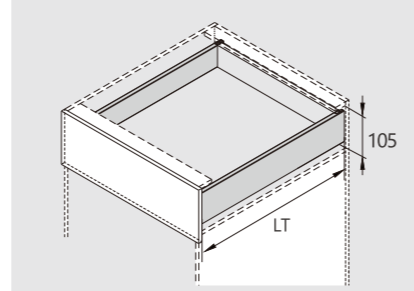
PRODUCT



DESCRIPTION

- Concealed, full extension
- Load capacity: 40kg
- Tool free assembly and removal of drawer
- Silent system guarantees smooth run without noise
- 3D adjustment:
 - Up & down adjustment: ±2mm
 - left & right adjustment: ±1.5mm
 - tilt adjustment: +1.5mm, -2.5mm
- Finish: Silk white(E29), Grey matt(E30)

SPACE REQUIREMENT

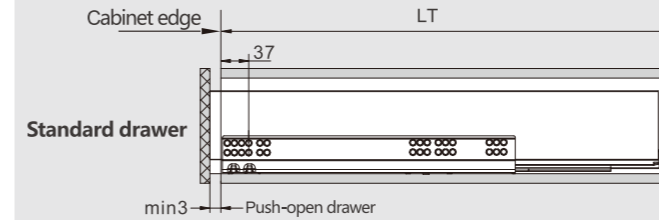


LT=Internal Cabinet Depth
LT=NL+3

PLANNING

Installation Dimensions(mm)

NL=Nominal Slide Length
LT=Internal Cabinet Depth
LT=NL+3



Cabinet Configuration

Cabinet widths/KB(mm)	Push-open drawer Synchronization rod	
300	○	○ recommended ● strongly recommended
350	○	
400	○	
450	○	
500	○	
600	○	
800	●	
900	●	
1000	●	
1200	●	

LOW DRAWER FOR WOOD DRAWER BACK

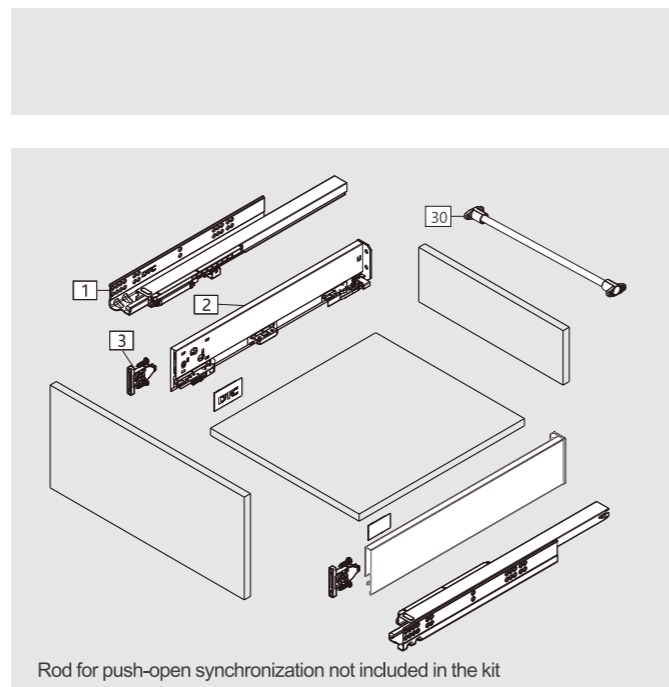
Kit Package			
Silk White(E29)! Grey Matt(E30)!			
NL	Soft Close item No.	Push-open item No.	Set/ctn
270mm	HD11270A17X	HD41270A17X	1
300mm	HD11300A17X	HD41300A17X	1
350mm	HD11350A17X	HD41350A17X	1
400mm	HD11400A17X	HD41400A17X	1
450mm	HD11450A17X	HD41450A17X	1
500mm	HD11500A17X	HD41500A17X	1
550mm	HD11550A17X	HD41550A17X	1
600mm	HD11600A17X	HD41600A17X	1

1 Slides (left/right) /Industrial Package			
Pre-zinc Steel(F02)			
NL	Soft Close item No.	Push-open item No.	Set/ctn
270mm	HD10270H	HD40270H	5
300mm	HD10300H	HD40300H	5
350mm	HD10350H	HD40350H	5
400mm	HD10400H	HD40400H	5
450mm	HD10450H	HD40450H	5
500mm	HD10500H	HD40500H	5
550mm	HD10550H	HD40550H	5
600mm	HD10600H	HD40600H	5

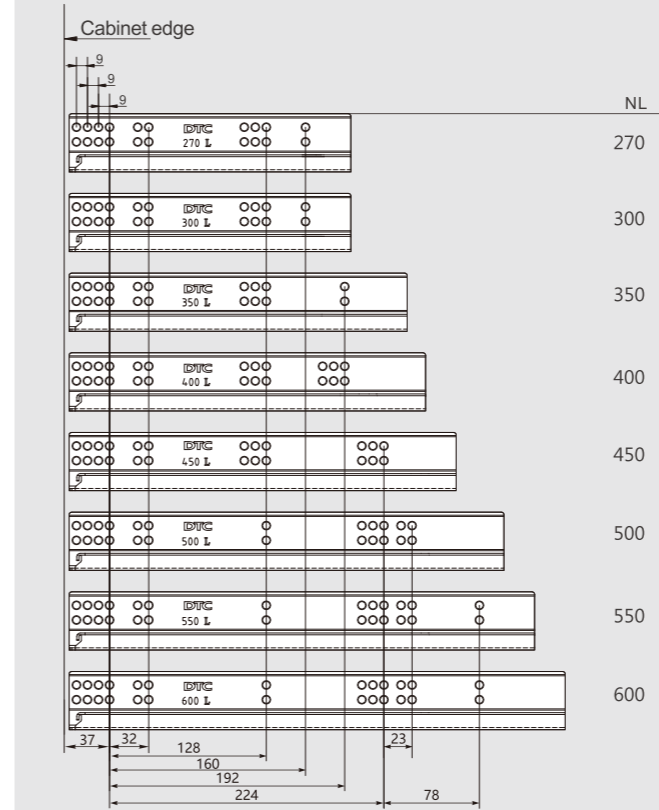
2 Drawer Sides and Cover Caps (left/right) /Industrial Package		
Silk White(E29)! Grey Matt(E30)!		
NL	Item No.	Set/ctn
270mm	HE112707X	5
300mm	HE113007X	5
350mm	HE113507X	5
400mm	HE114007X	5
450mm	HE114507X	5
500mm	HE115007X	5
550mm	HE115507X	5
600mm	HE116007X	5

3 Front Fixing-brackets (left/right) / Industrial Package		
Pre-zinc Steel(F02)		
	Item No.	Set/ctn
Screw-on	HT11011X	120
Press-in	HT11016X	120

30 Rod for Push-open Synchronization / Industrial Package	
Size:1100mm.Cutting:Internal cabinet width LW-172 for Nominal Side Length: 350mm、400mm、450mm、500mm、550mm、600mm	
Item No.	HT0FH02
Set/ctn	60

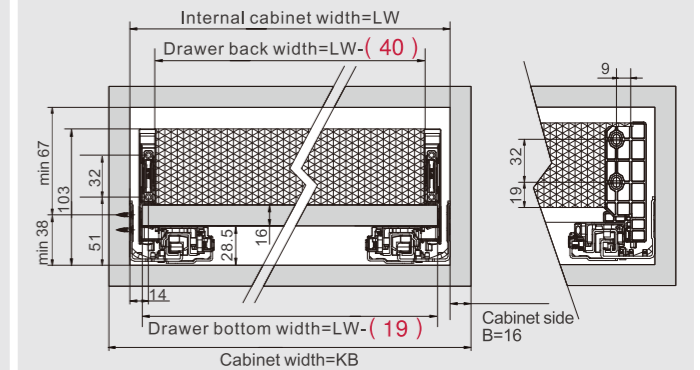


Screw Positions of the Slides(mm)

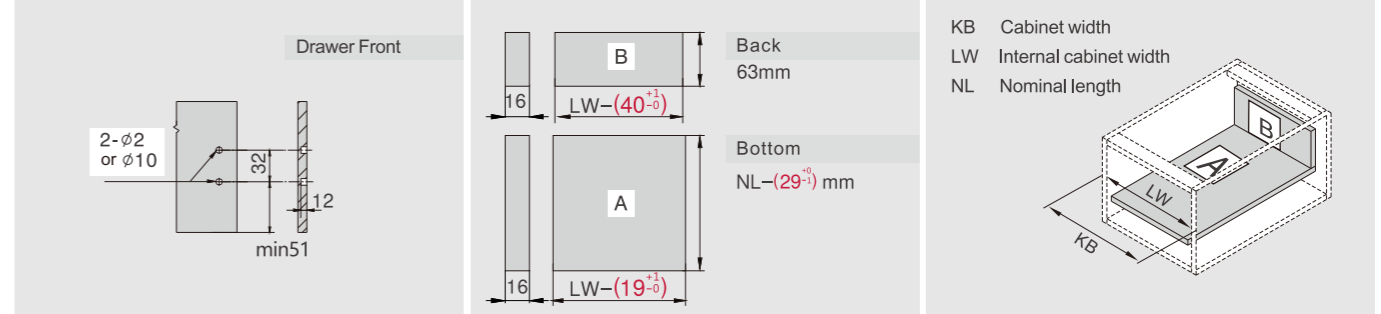


Installation Dimensions(mm)

LW=Internal Cabinet Width

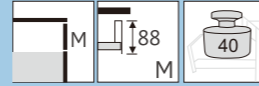


Drawer Front, Back and Bottom Dimensions(mm)



MAGIC-STAR PLUS

HD11 Series Straight-sided Drawer System (Low Inner Drawer: M Height)



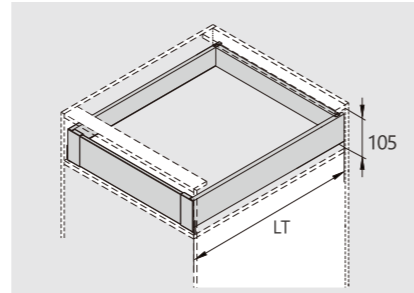
PRODUCT



DESCRIPTION

- Concealed, full extension
- Load capacity: 40kg
- Tool free assembly and removal of drawer
- Silent system guarantees smooth run without noise
- 3D adjustment:
 - Up & down adjustment: $\pm 2\text{mm}$
 - left & right adjustment: $\pm 1.5\text{mm}$
 - tilt adjustment: $+1.5\text{mm}, -2.5\text{mm}$
- Finish: Silk white(E29), Grey matt(E30)

SPACE REQUIREMENT

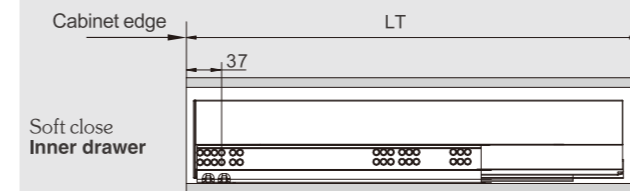


LT=Internal Cabinet Depth
Soft close slides $LT=NL+3$
Push-open slides $LT=NL+13$

PLANNING

Installation Dimensions(mm)

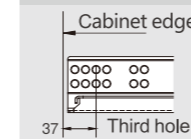
NL=Nominal Slide Length
LT=Internal Cabinet Depth
Soft close slides $LT=NL+3$
Push-open slides $LT=NL+13$



Cabinet Configuration

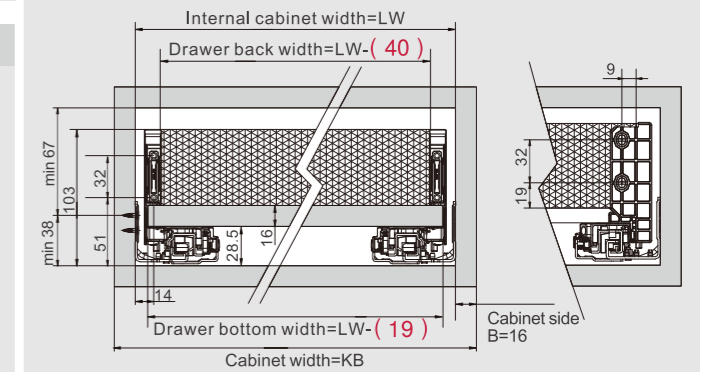
Cabinet widths/KB(mm)	Push-open drawer Synchronization rod	
300	○	○ recommended
350	○	
400	○	
450	○	
500	○	
600	○	● strongly recommended
800	●	
900	●	
1000	●	
1200	●	

Fixing Hole Position for Push-open Inner Drawer(mm)

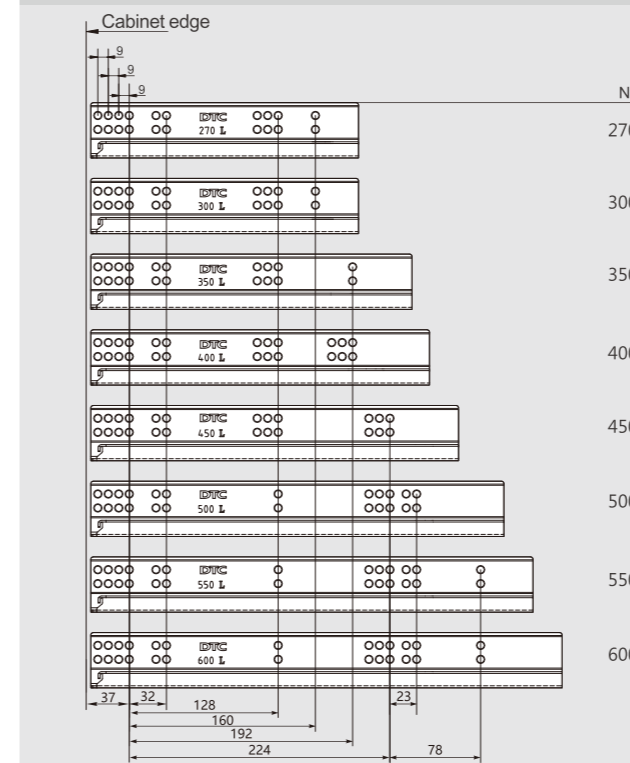


Installation Dimensions(mm)

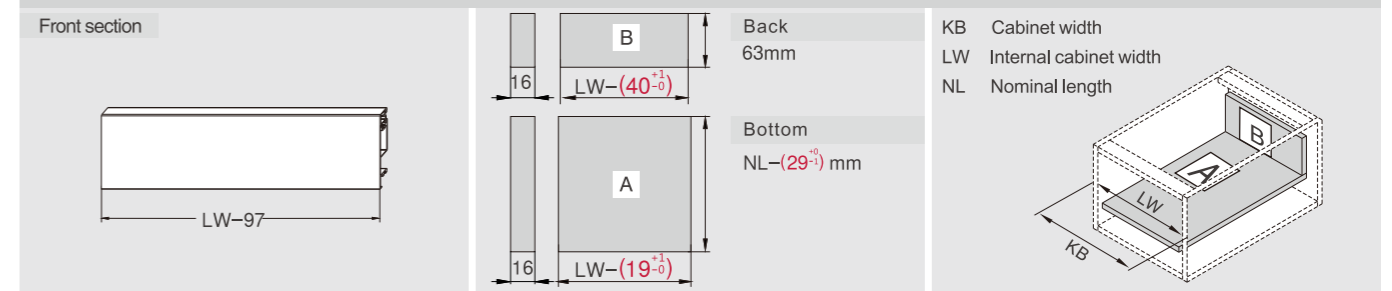
LW=Internal Cabinet Width



Screw Positions of the Slides(mm)



Front Section, Back and Bottom Dimensions(mm)



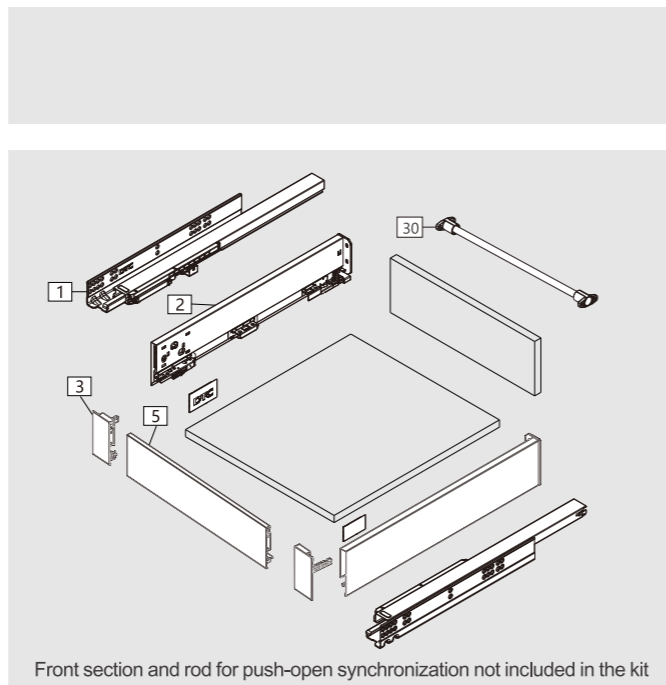
LOW INNER DRAWER FOR WOOD DRAWER BACK

Kit Package				1 Slides (left/right) /Industrial Package				2 Drawer Sides and Cover Caps (left/right) /Industrial Package			
Silk White(E29)! Grey Matt(E30)!				Pre-zinc Steel(F02)				Silk White(E29)! Grey Matt(E30)!			
NL	Soft Close item No.	Push-open item No.	Set/ctn	NL	Soft Close item No.	Push-open item No.	Set/ctn	NL	Item No.	Set/ctn	
270mm	HD11270Q17X	HD41270Q17X	1	270mm	HD10270H	HD40270H	5	270mm	HE112707X	5	
300mm	HD11300Q17X	HD41300Q17X	1	300mm	HD10300H	HD40300H	5	300mm	HE113007X	5	
350mm	HD11350Q17X	HD41350Q17X	1	350mm	HD10350H	HD40350H	5	350mm	HE113507X	5	
400mm	HD11400Q17X	HD41400Q17X	1	400mm	HD10400H	HD40400H	5	400mm	HE114007X	5	
450mm	HD11450Q17X	HD41450Q17X	1	450mm	HD10450H	HD40450H	5	450mm	HE114507X	5	
500mm	HD11500Q17X	HD41500Q17X	1	500mm	HD10500H	HD40500H	5	500mm	HE115007X	5	
550mm	HD11550Q17X	HD41550Q17X	1	550mm	HD10550H	HD40550H	5	550mm	HE115507X	5	
600mm	HD11600Q17X	HD41600Q17X	1	600mm	HD10600H	HD40600H	5	600mm	HE116007X	5	

3 Front Fixing-brackets (left/right) / Industrial Package	
White(H03)! Dark Grey(H11)	
Item No.	Set/ctn
HD11012X	60

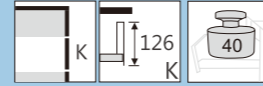
5 Front Section / Industrial Package	
Size:1100mm.Cutting:Internal cabinet width LW-97	
Silk White(E29)! Grey Matt(E30)	
Item No.	Set/ctn
HT10022	20

30 Rod for Push-open Synchronization / Industrial Package	
Size:1100mm.Cutting:Internal cabinet width LW-172 for Nominal Side Length: 350mm, 400mm, 450mm, 500mm, 550mm, 600mm	
Item No.	Set/ctn
HT0FH02	60



MAGIC-STAR PLUS

HD12 Series Straight-sided Drawer System (Medium Drawer: K Height)



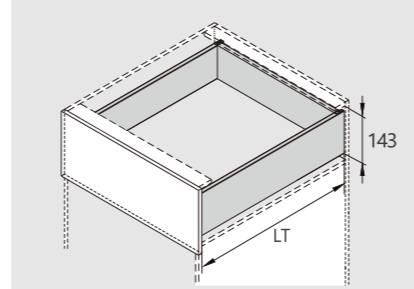
PRODUCT



DESCRIPTION

- Concealed, full extension
- Load capacity: 40kg
- Tool free assembly and removal of drawer
- Silent system guarantees smooth run without noise
- 3D adjustment:
 - Up & down adjustment: ±2mm
 - left & right adjustment: ±1.5mm
 - tilt adjustment: +1.5mm, -2.5mm
- Finish: Silk white(E29), Grey matt(E30)

SPACE REQUIREMENT

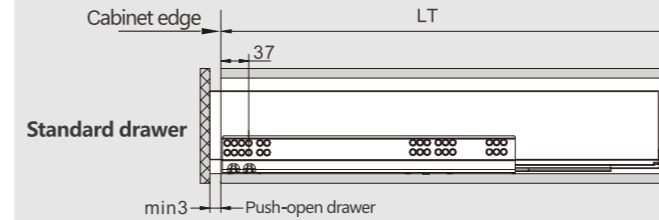


LT=Internal Cabinet Depth
LT=NL+3

PLANNING

Installation Dimensions(mm)

NL=Nominal Slide Length
LT=Internal Cabinet Depth
LT=NL+3



Cabinet Configuration

Cabinet widths/KB(mm)	Push-open drawer Synchronization rod	
300	○	○ recommended ● strongly recommended
350	○	
400	○	
450	○	
500	○	
600	○	
800	●	
900	●	
1000	●	
1200	●	

MEDIUM DRAWER FOR WOOD DRAWER BACK

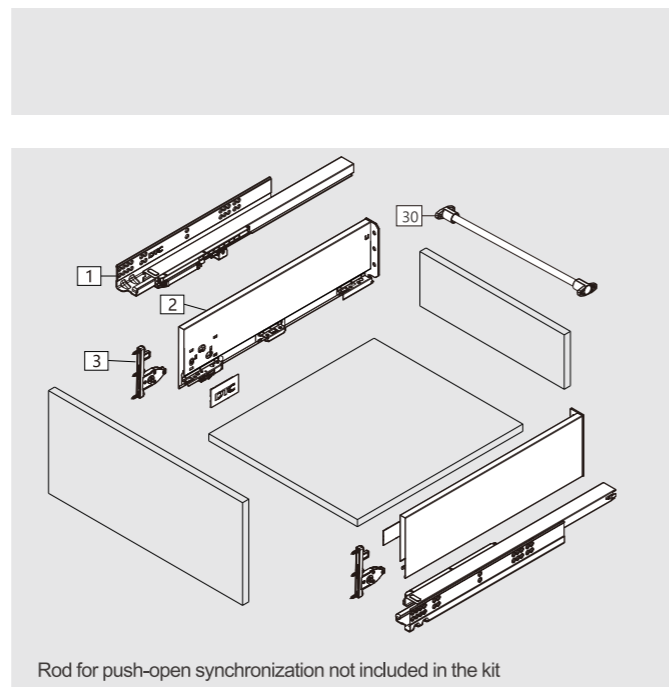
Kit Package			
Silk White(E29)! Grey Matt(E30)!			
NL	Soft Close item No.	Push-open item No.	Set/ctn
270mm	HD12270A17X	HD42270A17X	1
300mm	HD12300A17X	HD42300A17X	1
350mm	HD12350A17X	HD42350A17X	1
400mm	HD12400A17X	HD42400A17X	1
450mm	HD12450A17X	HD42450A17X	1
500mm	HD12500A17X	HD42500A17X	1
550mm	HD12550A17X	HD42550A17X	1
600mm	HD12600A17X	HD42600A17X	1

1 Slides (left/right) /Industrial Package			
Pre-zinc Steel(F02)			
NL	Soft Close item No.	Push-open item No.	Set/ctn
270mm	HD10270H	HD40270H	5
300mm	HD10300H	HD40300H	5
350mm	HD10350H	HD40350H	5
400mm	HD10400H	HD40400H	5
450mm	HD10450H	HD40450H	5
500mm	HD10500H	HD40500H	5
550mm	HD10550H	HD40550H	5
600mm	HD10600H	HD40600H	5

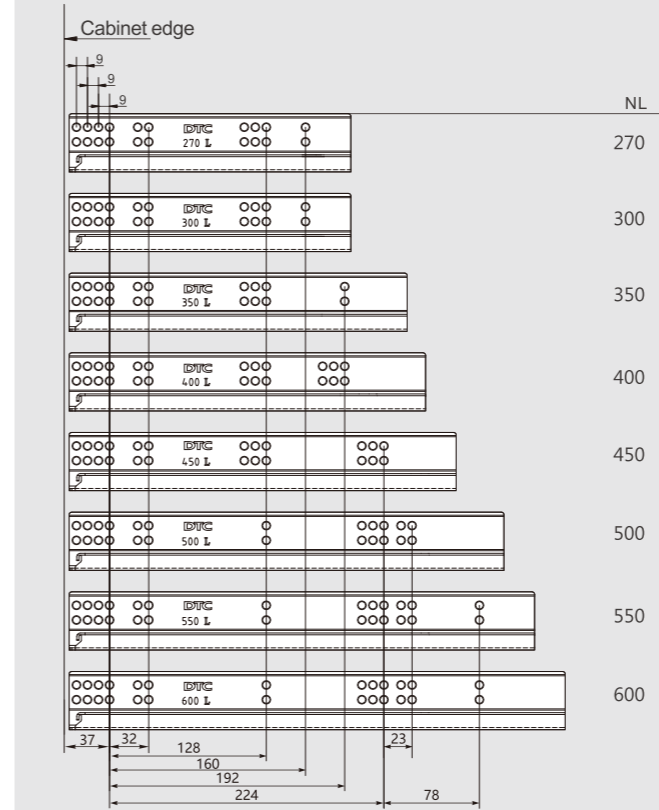
2 Drawer Sides and Cover Caps (left/right) /Industrial Package			
Silk White(E29)! Grey Matt(E30)!			
NL	Item No.	Set/ctn	
270mm	HE122707X	5	
300mm	HE123007X	5	
350mm	HE123507X	5	
400mm	HE124007X	5	
450mm	HE124507X	5	
500mm	HE125007X	5	
550mm	HE125507X	5	
600mm	HE126007X	5	

3 Front Fixing-brackets (left/right) / Industrial Package			
Pre-zinc Steel(F02)			
	Item No.	Set/ctn	
Screw-on	HE12011X	120	
Press-in	HE12016X	120	

30 Rod for Push-open Synchronization / Industrial Package			
Size:1100mm.Cutting:Internal cabinet width LW-172 for Nominal Side Length: 350mm、400mm、450mm、500mm、550mm、600mm			
Item No.	HT0FH02	Set/ctn	60

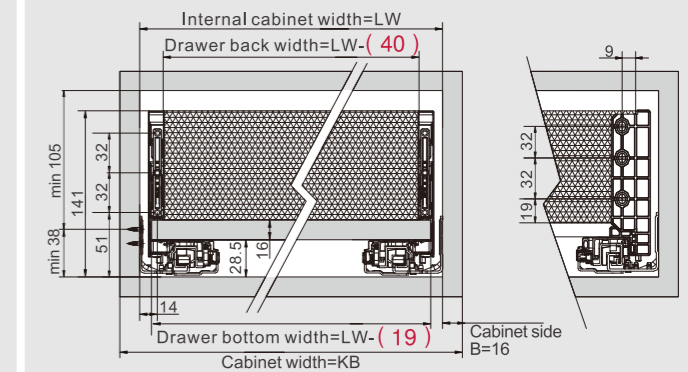


Screw Positions of the Slides(mm)

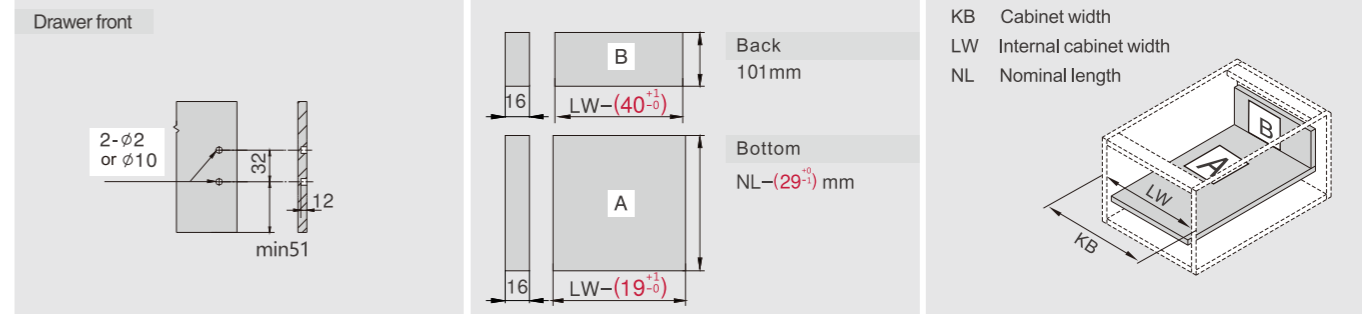


Installation Dimensions(mm)

LW=Internal Cabinet Width

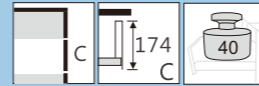


Drawer Front, Back and Bottom Dimensions(mm)



MAGIC-STAR PLUS

HD13 Series Straight-sided Drawer System (High Drawer: C Height)



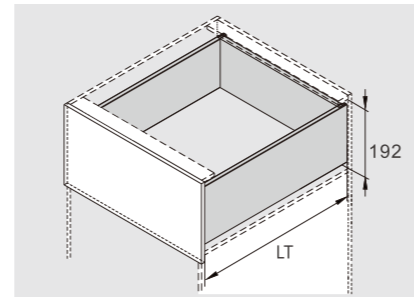
PRODUCT



DESCRIPTION

- Concealed, full extension
- Load capacity: 40kg
- Tool free assembly and removal of drawer
- Silent system guarantees smooth run without noise
- 3D adjustment:
 - Up & down adjustment: ±2mm
 - left & right adjustment: ±1.5mm
 - tilt adjustment: +1.5mm, -2.5mm
- Finish: Silk white(E29), Grey matt(E30)

SPACE REQUIREMENT

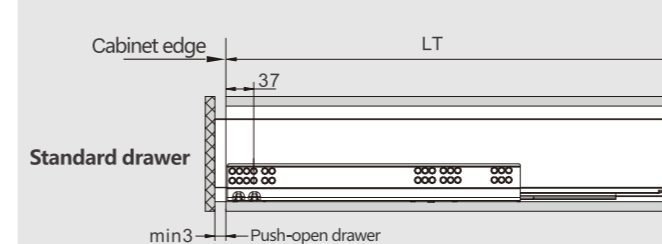


LT=Internal Cabinet Depth
LT=NL+3

PLANNING

Installation Dimensions(mm)

NL=Nominal Slide Length
LT=Internal Cabinet Depth
LT=NL+3



Cabinet Configuration

Cabinet widths/KB(mm)	Push-open drawer Synchronization rod	
300	○	○ recommended ● strongly recommended
350	○	
400	○	
450	○	
500	○	
600	○	
800	●	
900	●	
1000	●	
1200	●	

HIGH DRAWER FOR WOOD DRAWER BACK

Kit Package				1 Slides (left/right) /Industrial Package				2 Drawer Sides and Cover Caps (left/right) /Industrial Package			
Silk White(E29)! Grey Matt(E30)!				Pre-zinc Steel(F02)				Silk White(E29)! Grey Matt(E30)!			
NL	Soft Close item No.	Push-open item No.	Set/ctn	NL	Soft Close item No.	Push-open item No.	Set/ctn	NL	Item No.	Set/ctn	
270mm	HD13270A17X	HD43270A17X	1	270mm	HD10270H	HD40270H	5	270mm	HE132707X	5	
300mm	HD13300A17X	HD43300A17X	1	300mm	HD10300H	HD40300H	5	300mm	HE133007X	5	
350mm	HD13350A17X	HD43350A17X	1	350mm	HD10350H	HD40350H	5	350mm	HE133507X	5	
400mm	HD13400A17X	HD43400A17X	1	400mm	HD10400H	HD40400H	5	400mm	HE134007X	5	
450mm	HD13450A17X	HD43450A17X	1	450mm	HD10450H	HD40450H	5	450mm	HE134507X	5	
500mm	HD13500A17X	HD43500A17X	1	500mm	HD10500H	HD40500H	5	500mm	HE135007X	5	
550mm	HD13550A17X	HD43550A17X	1	550mm	HD10550H	HD40550H	5	550mm	HE135507X	5	
600mm	HD13600A17X	HD43600A17X	1	600mm	HD10600H	HD40600H	5	600mm	HE136007X	5	

3 Front Fixing-brackets (left/right) / Industrial Package

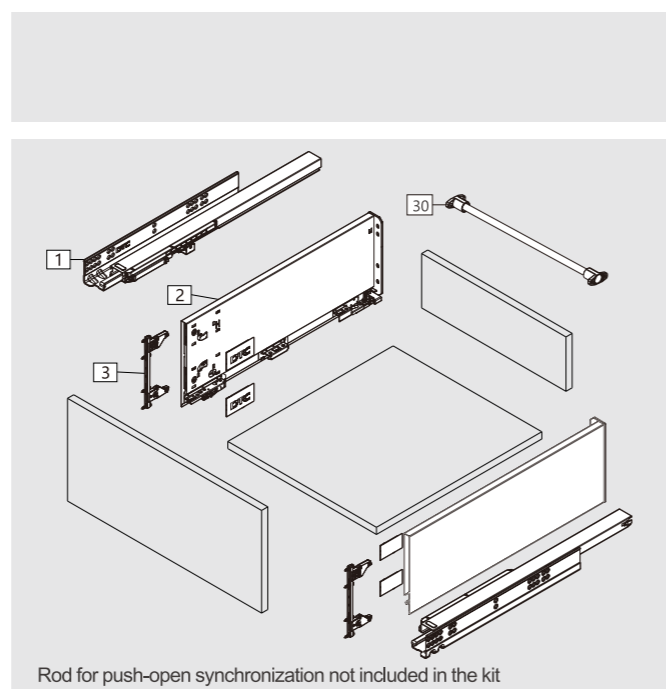
Blue zinc plated(B02)

	Item No.	Set/ctn
Screw-on	HE13011X	120
Press-in	HE13016X	120

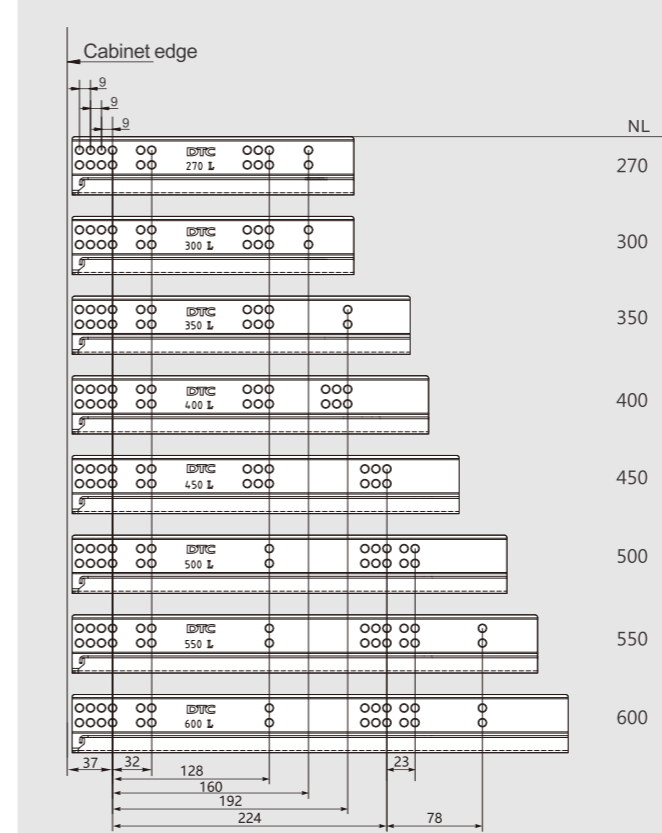
30 Rod for Push-open Synchronization / Industrial Package

Size:1100mm.Cutting:Internal cabinet width LW-172 for Nominal Side Length: 350mm、400mm、450mm、500mm、550mm、600mm

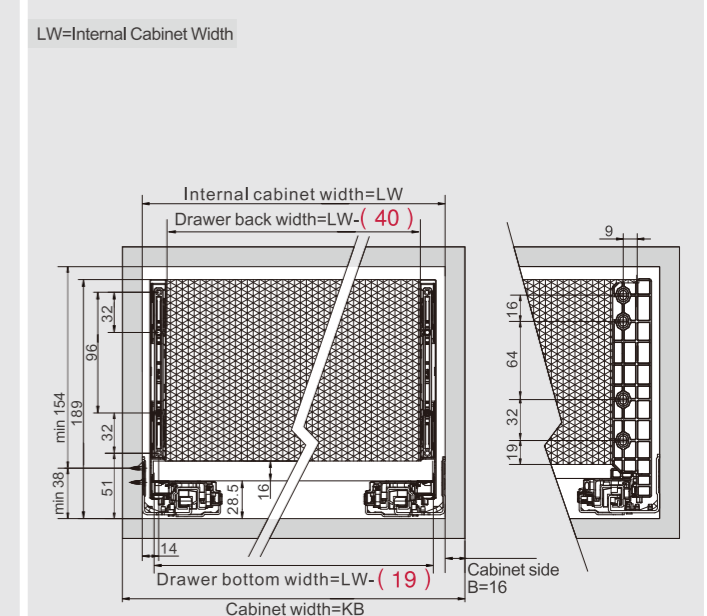
Item No.	HT0FH02
Set/ctn	60



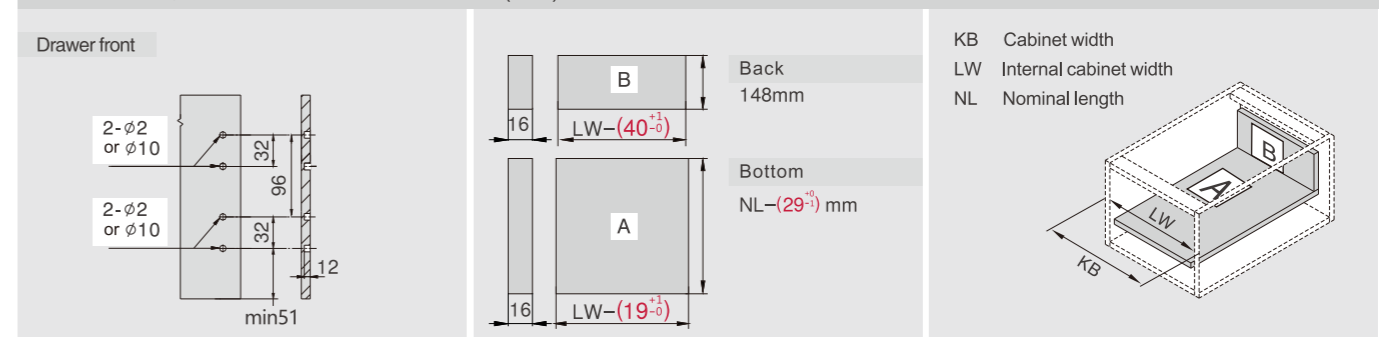
Screw Positions of the Slides(mm)



Installation Dimensions(mm)

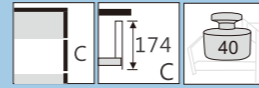


Drawer Front, Back and Bottom Dimensions(mm)



MAGIC-STAR PLUS

HD13 Series Straight-sided Drawer System (High Inner Drawer: C Height)



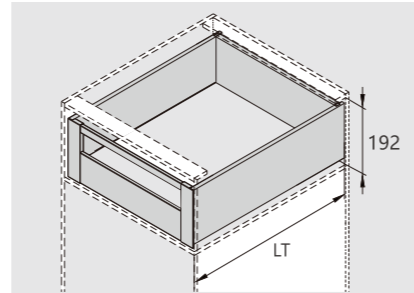
PRODUCT



DESCRIPTION

- Concealed, full extension
- Load capacity: 40kg
- Tool free assembly and removal of drawer
- Silent system guarantees smooth run without noise
- 3D adjustment:
 - Up & down adjustment: ±2mm
 - left & right adjustment: ±1.5mm
 - tilt adjustment: +1.5mm, -2.5mm
- Finish: Silk white(E29), Grey matt(E30)

SPACE REQUIREMENT

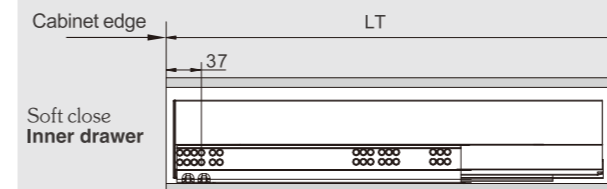


LT=Internal Cabinet Depth
Soft close slides LT=NL+3
Push-open slides LT=NL+13

PLANNING

Installation Dimensions(mm)

NL=Nominal Slide Length Soft close slides LT=NL+3
LT=Internal Cabinet Depth Push-open slides LT=NL+13



Cabinet Configuration

Cabinet widths/KB(mm)	Push-open drawer Synchronization rod	
300	○	○ recommended ● strongly recommended
350	○	
400	○	
450	○	
500	○	
600	○	
800	●	
900	●	
1000	●	
1200	●	

HIGH INNER DRAWER WITH SQUARE CROSS RAIL FOR WOOD DRAWER BACK

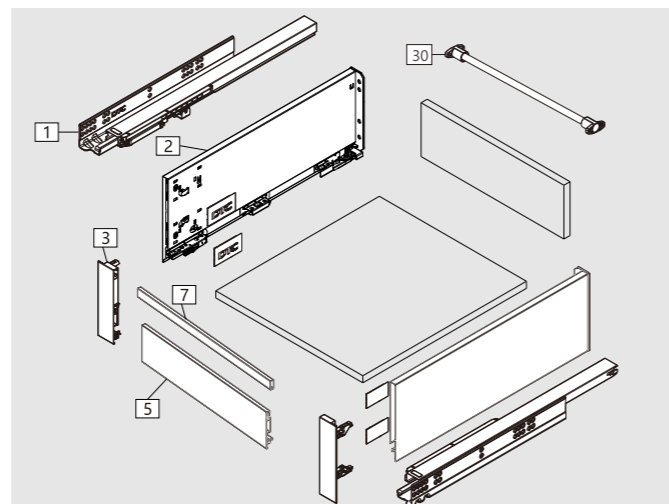
Kit Package				1 Slides (left/right) / Industrial Package				2 Drawer Sides and Cover Caps (left/right) / Industrial Package			
Silk White(E29)! Grey Matt(E30)!				Pre-zinc Steel(F02)				Silk White(E29)! Grey Matt(E30)!			
NL	Soft Close item No.	Push-open item No.	Set/ctn	NL	Soft Close item No.	Push-open item No.	Set/ctn	NL	Item No.	Set/ctn	
270mm	HD13270Q17X	HD43270Q17X	1	270mm	HD10270H	HD40270H	5	270mm	HE132707X	5	
300mm	HD13300Q17X	HD43300Q17X	1	300mm	HD10300H	HD40300H	5	300mm	HE133007X	5	
350mm	HD13350Q17X	HD43350Q17X	1	350mm	HD10350H	HD40350H	5	350mm	HE133507X	5	
400mm	HD13400Q17X	HD43400Q17X	1	400mm	HD10400H	HD40400H	5	400mm	HE134007X	5	
450mm	HD13450Q17X	HD43450Q17X	1	450mm	HD10450H	HD40450H	5	450mm	HE134507X	5	
500mm	HD13500Q17X	HD43500Q17X	1	500mm	HD10500H	HD40500H	5	500mm	HE135007X	5	
550mm	HD13550Q17X	HD43550Q17X	1	550mm	HD10550H	HD40550H	5	550mm	HE135507X	5	
600mm	HD13600Q17X	HD43600Q17X	1	600mm	HD10600H	HD40600H	5	600mm	HE136007X	5	

3 Front Fixing-brackets (left/right) / Industrial Package	
White(H03)! Dark Grey(H11)	
Item No.	Set/ctn
HD13014X	60

7 Square Cross Rail / Industrial Package	
Silk White(E29)! Grey Matt(E30)	
Size:1100mm.Cutting:	Item No.
Internal cabinet width LW-72	Set/ctn
HT10071	60

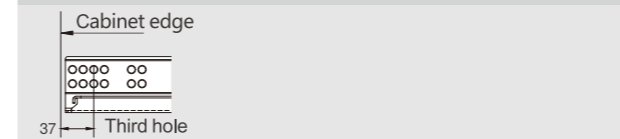
5 Front Section / Industrial Package	
Size:1100mm.Cutting:Internal cabinet width LW-97	
Silk White(E29)! Grey Matt(E30)	
Item No.	Set/ctn
HT10022	20

30 Rod for Push-open Synchronization / Industrial Package	
Size:1100mm.Cutting:Internal cabinet width LW-172 for Nominal Side Length: 350mm, 400mm, 450mm, 500mm, 550mm, 600mm	
Item No.	Set/ctn
HT0FH02	60

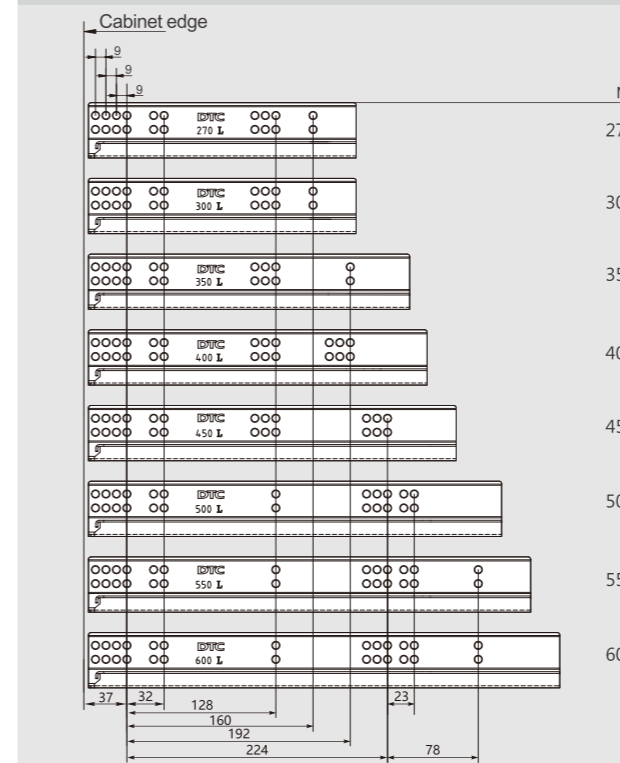


Front section, cross rail and rod for push-open synchronization not included in the kit

Fixing Hole Position for Push-open Inner Drawer(mm)

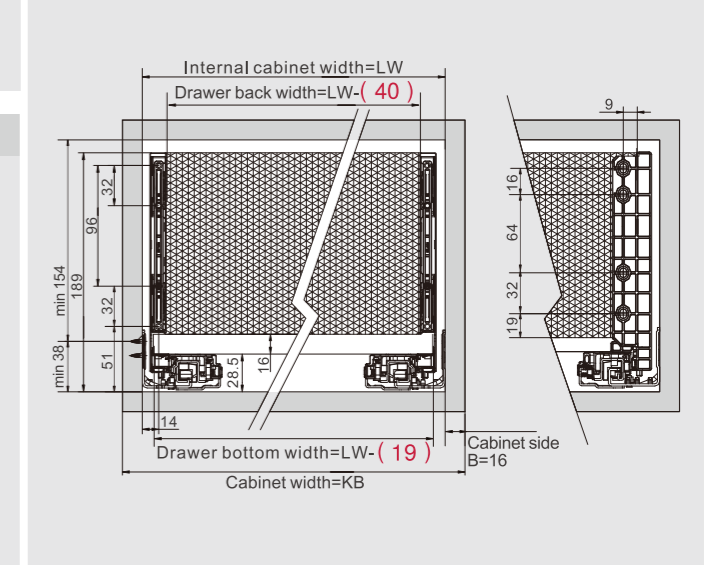


Screw Positions of the Slides(mm)

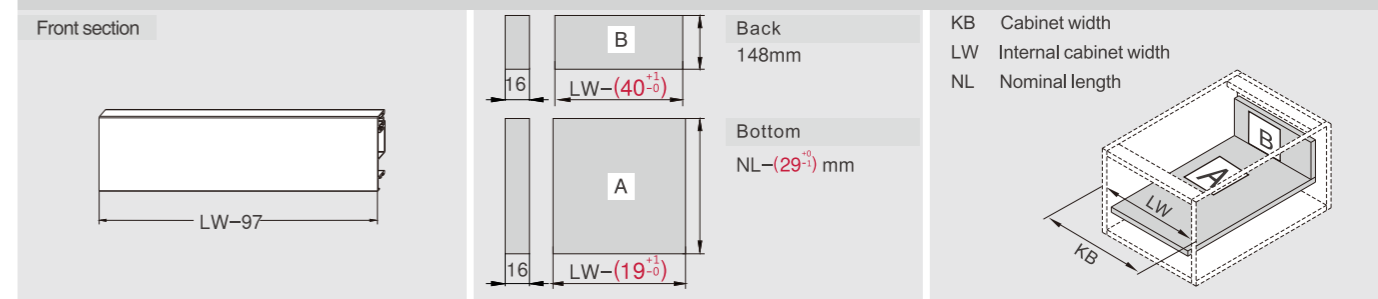


Installation Dimensions(mm)

LW=Internal Cabinet Width

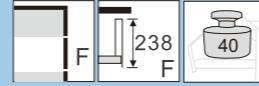


Front Section, Back and Bottom Dimensions(mm)



MAGIC-STAR PLUS

HD14 Series Straight-sided Drawer System (Super High Drawer: F Height)



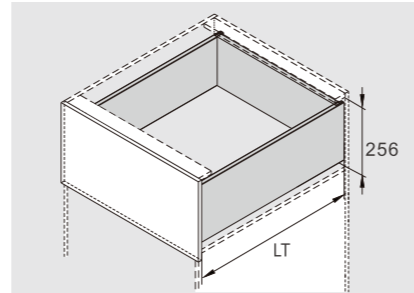
PRODUCT



DESCRIPTION

- Concealed, full extension
- Load capacity: 40kg
- Tool free assembly and removal of drawer
- Silent system guarantees smooth run without noise
- 3D adjustment:
 - Up & down adjustment: ±2mm
 - left & right adjustment: ±1.5mm
 - tilt adjustment: +1.5mm, -2.5mm
- Finish: Silk white(E29), Grey matt(E30)

SPACE REQUIREMENT

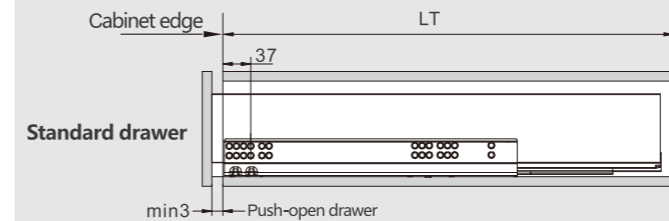


LT=Internal Cabinet Depth
LT=NL+3

PLANNING

Installation Dimensions(mm)

NL=Nominal Slide Length
LT=Internal Cabinet Depth
LT=NL+3



Cabinet Configuration

Cabinet widths/KB(mm)	Push-open drawer Synchronization rod	
300	○	○ recommended
350	○	
400	○	
450	○	
500	○	
600	○	● strongly recommended
800	●	
900	●	
1000	●	
1200	●	

SUPER HIGH DRAWER FOR WOOD DRAWER BACK

Kit Package			
Silk White(E29)! Grey Matt(E30)!			
NL	Soft Close item No.	Push-open item No.	Set/ctn
270mm	HD14270A17X	HD44270A17X	1
300mm	HD14300A17X	HD44300A17X	1
350mm	HD14350A17X	HD44350A17X	1
400mm	HD14400A17X	HD44400A17X	1
450mm	HD14450A17X	HD44450A17X	1
500mm	HD14500A17X	HD44500A17X	1
550mm	HD14550A17X	HD44550A17X	1
600mm	HD14600A17X	HD44600A17X	1

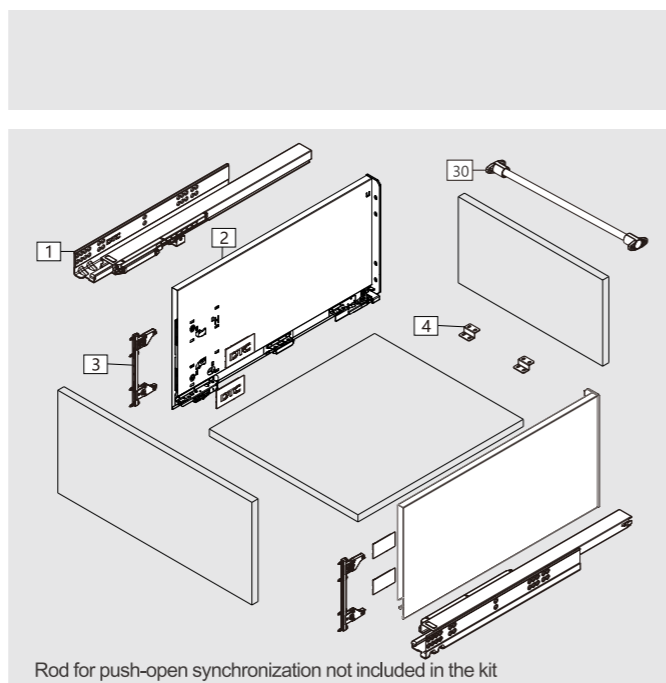
1 Slides (left/right) /Industrial Package			
Pre-zinc Steel(F02)			
NL	Soft Close item No.	Push-open item No.	Set/ctn
270mm	HD10270H	HD40270H	5
300mm	HD10300H	HD40300H	5
350mm	HD10350H	HD40350H	5
400mm	HD10400H	HD40400H	5
450mm	HD10450H	HD40450H	5
500mm	HD10500H	HD40500H	5
550mm	HD10550H	HD40550H	5
600mm	HD10600H	HD40600H	5

2 Drawer Sides and Cover Caps (left/right) /Industrial Package		
Silk White(E29)! Grey Matt(E30)!		
NL	Item No.	Set/ctn
270mm	HE142707X	5
300mm	HE143007X	5
350mm	HE143507X	5
400mm	HE144007X	5
450mm	HE144507X	5
500mm	HE145007X	5
550mm	HE145507X	5
600mm	HE146007X	5

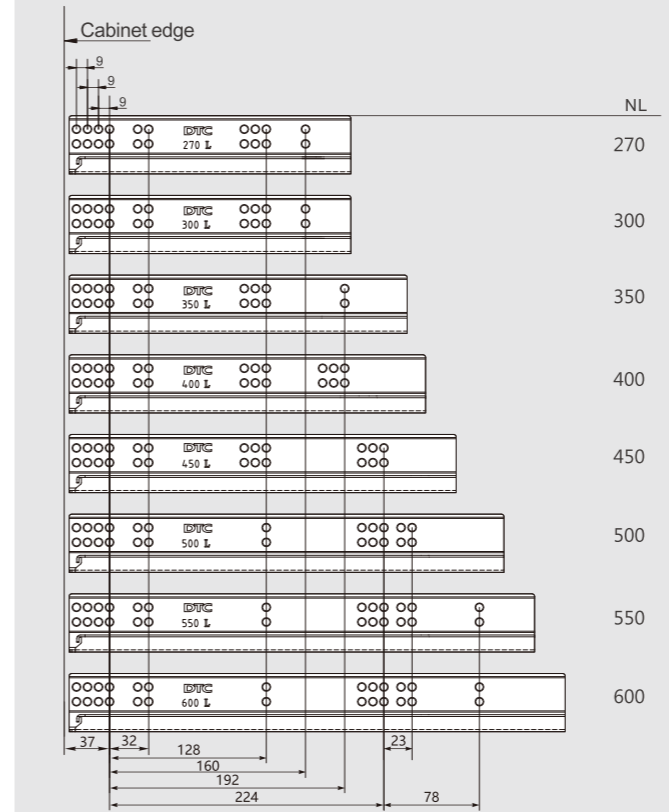
3 Front Fixing-brackets (left/right) / Industrial Package		
Blue zinc plated(B02)		
	Item No.	Set/ctn
Screw-on	HE13011X	120
Press-in	HE13016X	120

4 Fixing-brackets		
Zinc plated(B04)		
	Item No.	Set/ctn
	HT10082	400

30 Rod for Push-open Synchronization / Industrial Package		
Size:1100mm.Cutting:Internal cabinet width LW-172 for Nominal Side Length: 350mm、400mm、450mm、500mm、550mm、600mm		
	Item No.	Set/ctn
	HT0FH02	60

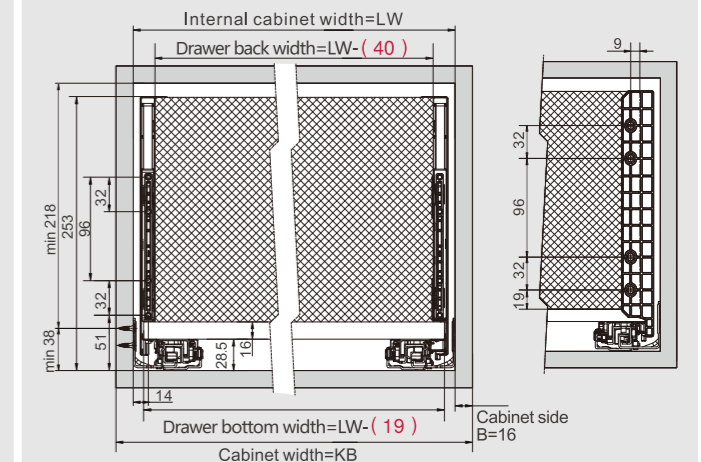


Screw Positions of the Slides(mm)

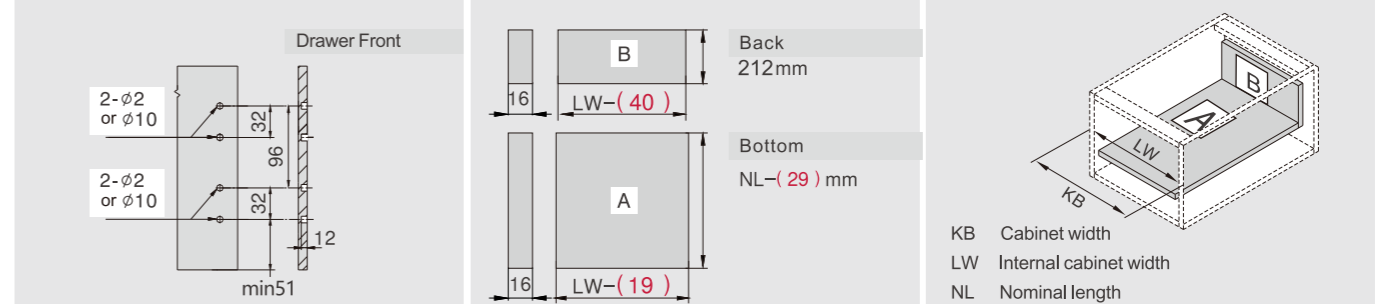


Installation Dimensions(mm)

LW=Internal Cabinet Width



Drawer Front, Back and Bottom Dimensions(mm)



ASSEMBLY AND ADJUSTMENT

Assembly and Adjustment(for MAGIC-STAR PLUS)

