



EPOXY SLIDE
SERIES

SINGLE-WALL
DRAWER SYSTEMS

EPOXY SLIDE SERIES

Epoxy slides

Single-wall Drawers
of Various Heights



- Precision manufacturing delivers a very flat and evenly coated runner track on which the rollers run smoothly.
- Various colours, lengths and heights available.
- An economical drawer solution.



Quietness



Intelligence



Durability



Eco-Friendliness

EPOXY SLIDES

F13G 118mm Single-wall Drawer Systems



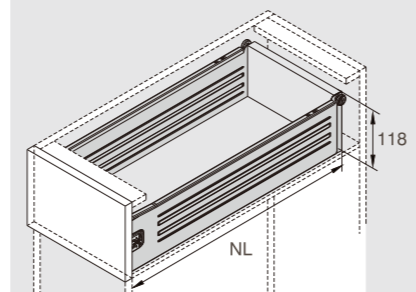
PRODUCT



DESCRIPTION

- Load capacity: 25kg
- Self-closing
- Double stop positions
- 2-D front panel adjustment
- Screw on/plug in bottom panel
- Lengths: 250-550mm
- Finish: white(E01)/Silver grey(E07)

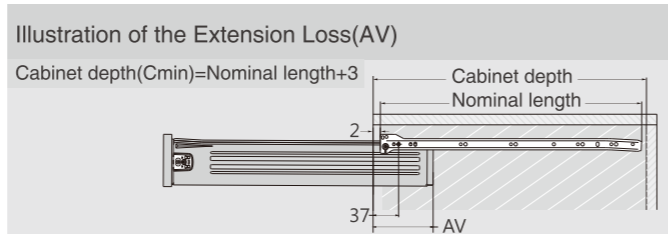
SPACE REQUIREMENT



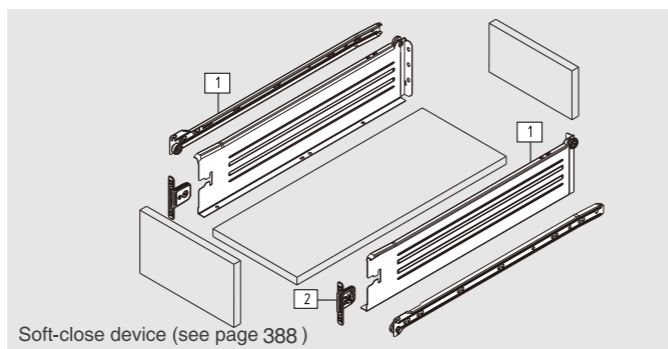
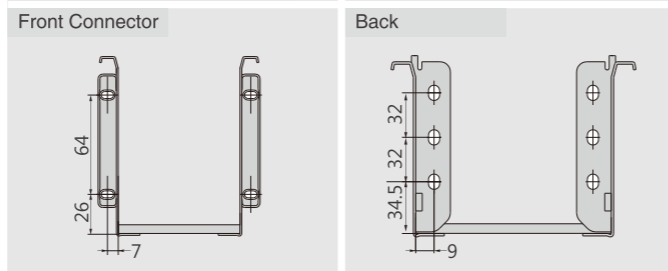
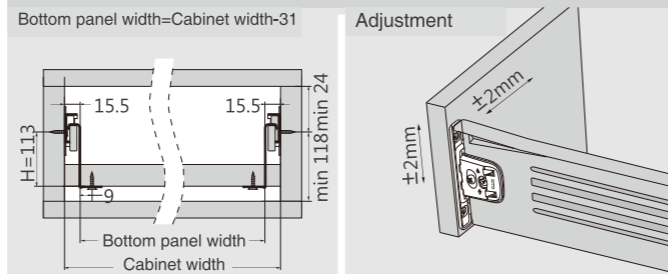
NL Nominal length

MEDIUM DRAWER FOR WOOD DRAWER BACK

1 Slides (left/right)			
White(E01)! Silver Grey(E07)			
NL	Thickness 1.2mm item No.	Set/ctn	
250mm	F13G100	10	
270mm	F13G110	10	
300mm	F13G120	10	
350mm	F13G140	10	
400mm	F13G160	10	
450mm	F13G180	10	
500mm	F13G200	10	
550mm	F13G220	10	



Slide Mounting Illustration(mm)



Screw Positions of the Slides(mm)

2 - Cabinet edge	NL
	250
	270
	300
	350
	400
	450
	500
	550

EPOXY SLIDES

F14K 150mm Single-wall Drawer Systems



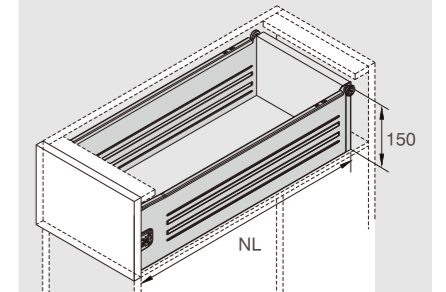
PRODUCT



DESCRIPTION

- Load capacity: 25kg
- Self-closing
- Double stop positions
- 2-D front panel adjustment
- Screw on/plug in bottom panel
- Lengths: 250-550mm
- Finish: white(E01)/Silver grey(E07)

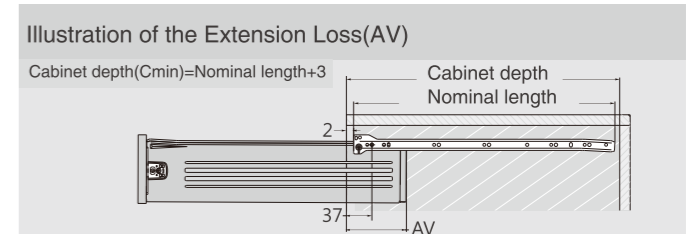
SPACE REQUIREMENT



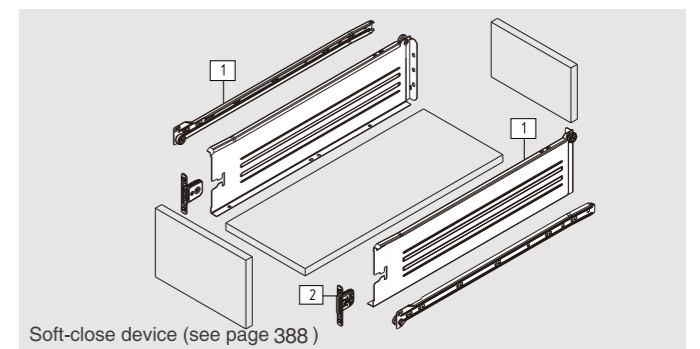
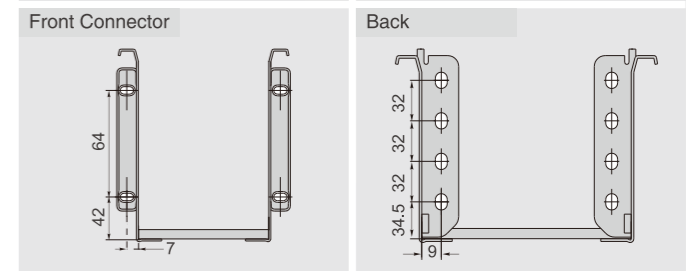
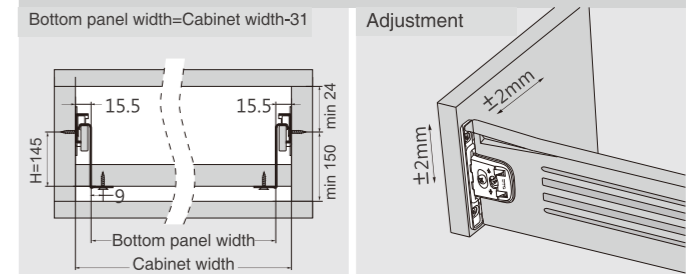
NL Nominal length

HIGH DRAWER FOR WOOD DRAWER BACK

1 Slides (left/right)			
White(E01)! Silver Grey(E07)			
NL	Thickness 1.2mm item No.	Set/ctn	
250mm	F14K100	10	
270mm	F14K110	10	
300mm	F14K120	10	
350mm	F14K140	10	
400mm	F14K160	10	
450mm	F14K180	10	
500mm	F14K200	10	
550mm	F14K220	10	



Slide Mounting Illustration(mm)



Screw Positions of the Slides(mm)

2 - Cabinet edge	NL
	250
	270
	300
	350
	400
	450
	500
	550

EPOXY SLIDES

F15J 200mm Single-wall Drawer Systems



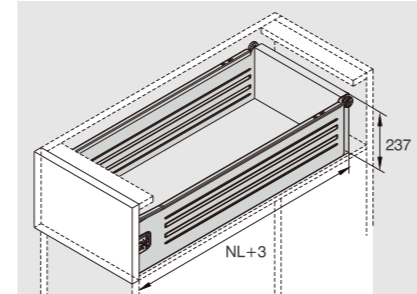
PRODUCT



DESCRIPTION

- Load capacity: 25kg
- Self-closing
- Double stop positions
- 2-D front panel adjustment
- Screw on/plug in bottom panel
- Lengths: 250-600mm
- Finish: white(E01)/Silver grey(E07)

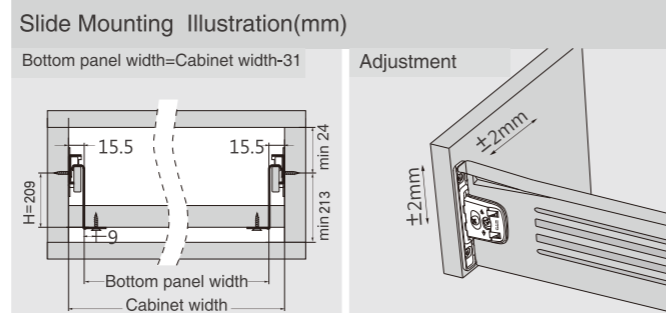
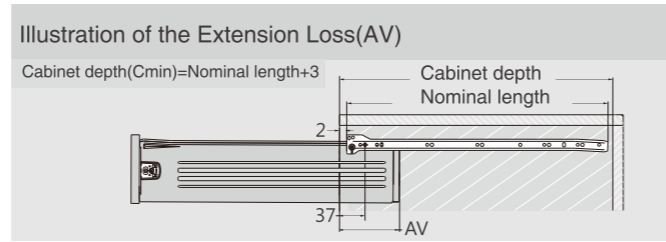
SPACE REQUIREMENT



NL Nominal length

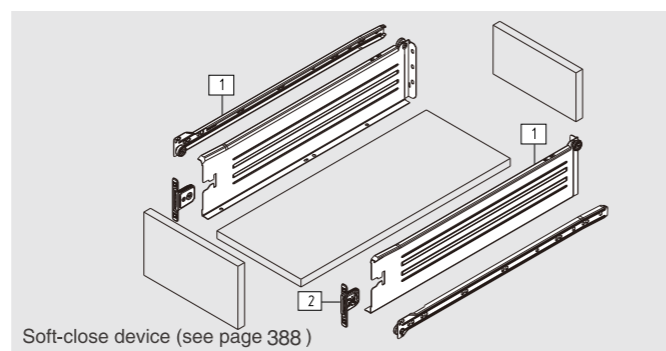
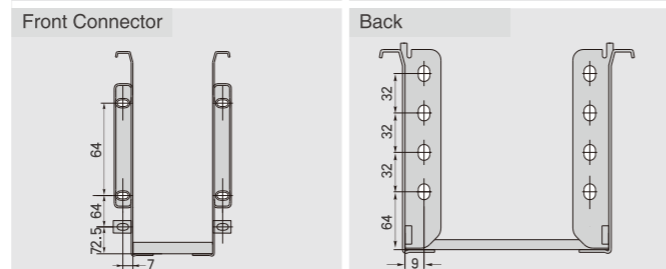
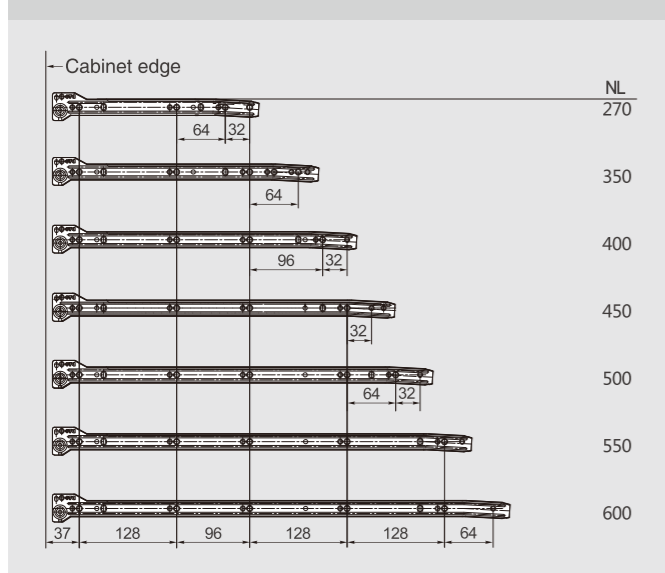
EXTRA HIGH DRAWER FOR WOOD DRAWER BACK

1 Slides (left/right)			
White(E01) Silver Grey(E07)			
NL	Thickness 1.2mm item No.	Set/ctn	
270mm	F15J1101	10	
350mm	F15J1401	10	
400mm	F15J1601	10	
450mm	F15J1801	10	
500mm	F15J2001	10	
550mm	F15J2201	10	
600mm	F15J2401	10	



4 Front Fixing-brackets left/right Nickel Plated(A02)			
	Item No.	Pcs/ctn	
Screw-on	L1M	200	
Press-in	L1MM	200	

Screw Positions of the Slides(mm)



Soft-close device (see page 388)

We are continuously developing new products.
For updated product information, please log onto www.dtcctc.com

EPOXY SLIDES

A Series Bottom Mounted Epoxy Roller Slides



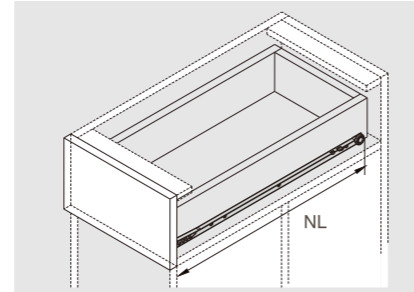
PRODUCT



DESCRIPTION

- Load capacity: 25kg
- Self-closing
- Double stop positions
- Lengths: 250-600mm
- Silent wheels
- Finish: white(E01)/grey(E03)/brown(E04)/black(E05)

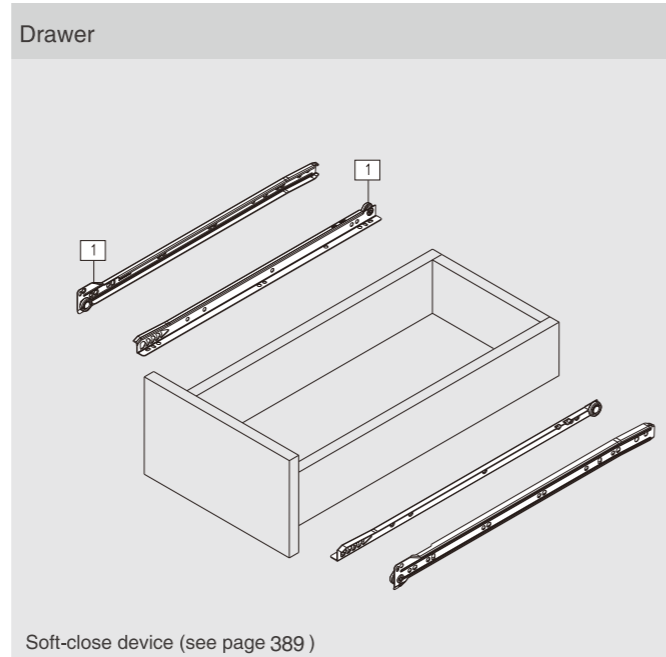
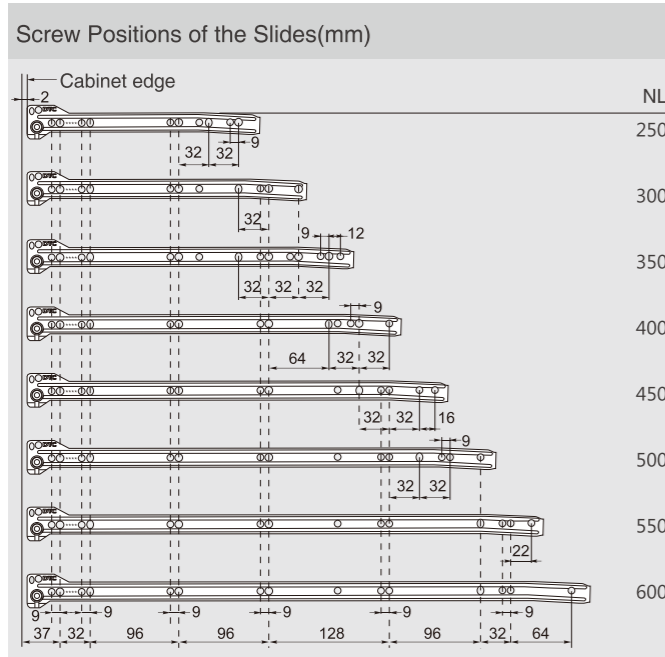
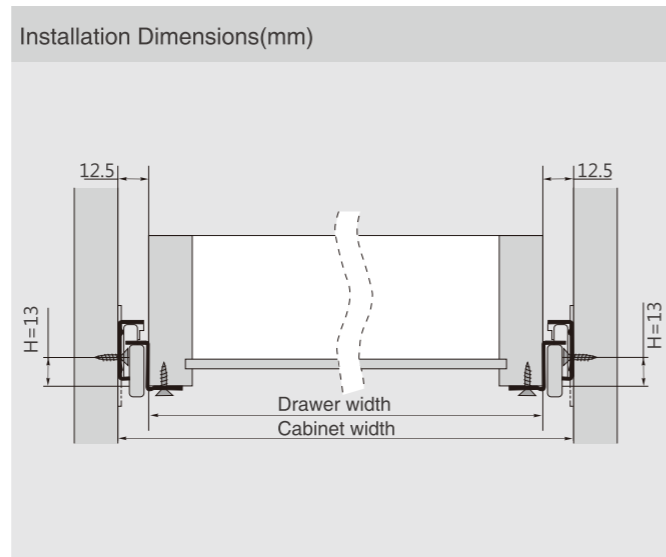
SPACE REQUIREMENT



NL Nominal length

ORDER INFORMATION

1 Slides (left/right)			
White(E01)! Grey(E03)! Brown(E04)! Black(E05)			
NL	Thickness 1.0mm item No.	Thickness 1.2mm item No.	Set/ctn
250mm	A109	A101	24
300mm	A129	A121	24
350mm	A149	A141	24
400mm	A169	A161	24
450mm	A189	A181	24
500mm	A209	A201	24
550mm	A229	A221	24
600mm	A249	A241	24



EPOXY SLIDES

L Series Bottom Mounted Epoxy Roller Slides



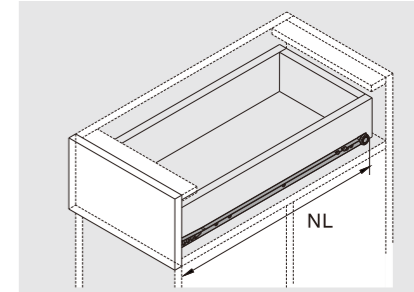
PRODUCT



DESCRIPTION

- Load capacity: 25kg
- Self-closing
- Double stop positions
- Lengths: 250-600mm
- Silent wheels
- Finish: white(E01)/grey(E03)/brown(E04)/black(E05)

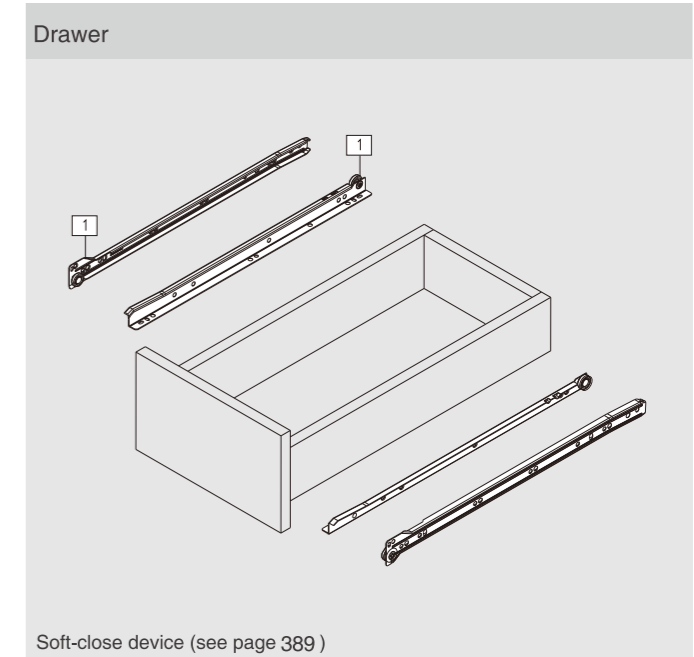
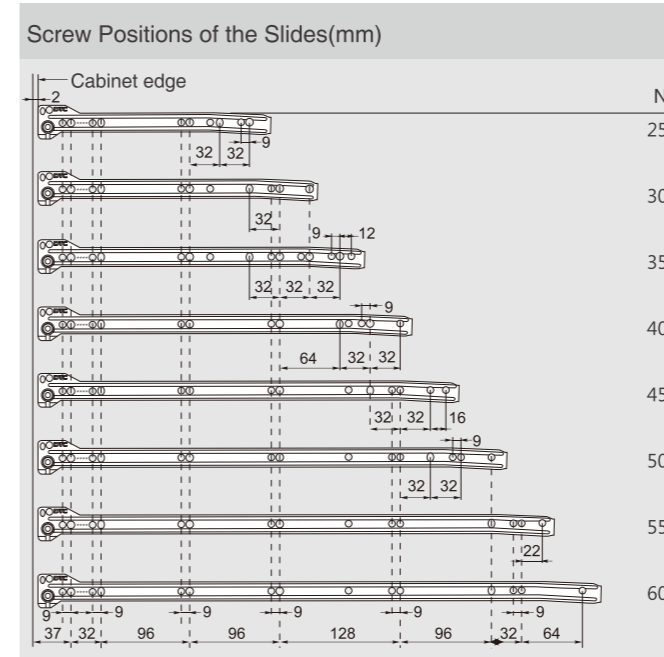
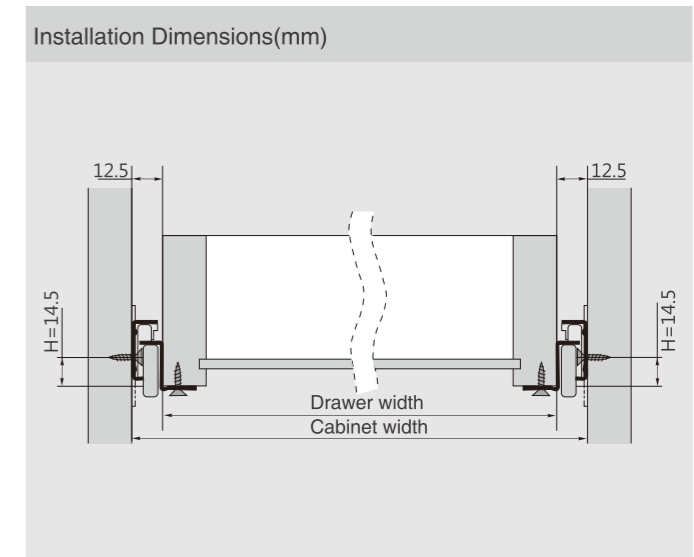
SPACE REQUIREMENT



NL Nominal length

ORDER INFORMATION

1 Slides (left/right)			
White(E01)! Grey(E03)! Brown(E04)! Black(E05)			
NL	Thickness 1.0mm item No.	Thickness 1.2mm item No.	Set/ctn
250mm	L109	L101	24
300mm	L129	L121	24
350mm	L149	L141	24
400mm	L169	L161	24
450mm	L189	L181	24
500mm	L209	L201	24
550mm	L229	L221	24
600mm	L249	L241	24



SOFT-CLOSE DEVICES

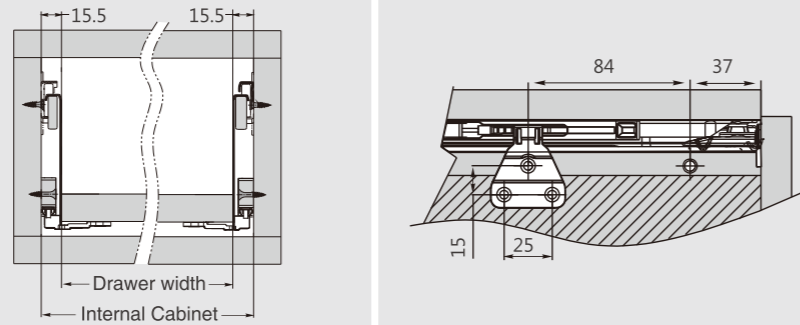
Single-wall Drawers and Roller Slides



ORDER INFORMATION

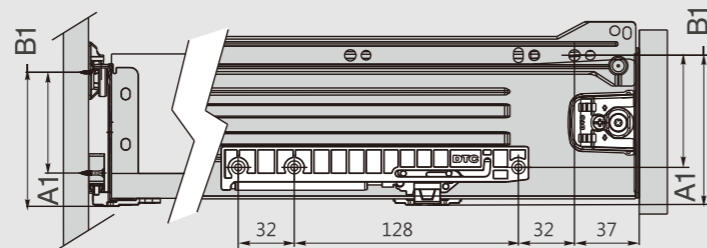
Soft-close Device Installation for Single-wall Drawer

Slide length 250-300mm(10"-12")



Item No. **W-HC1A**
Set/ctn 200

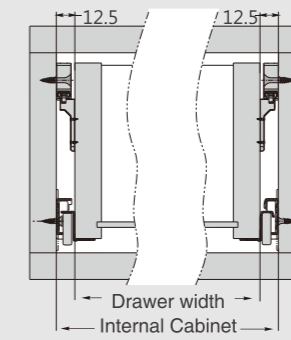
Panel height(mm)	A1(mm)	B1(mm)
54	32	54
86	64	86
118	96	118
150	128	150



ORDER INFORMATION

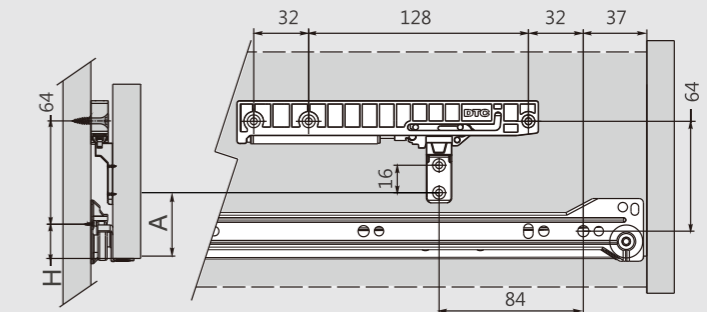
Soft-close Device Installation for Roller Slide

Slide length 250-300mm(10"-12")



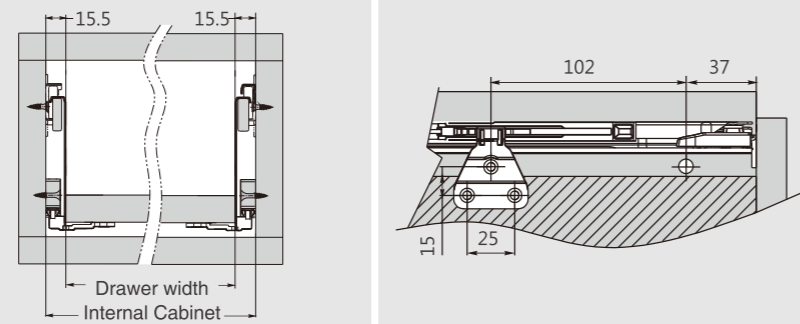
Item No. **W-HC1A-1**
Set/ctn 200

H(mm)	A(mm)
14.5	37
13	35.5



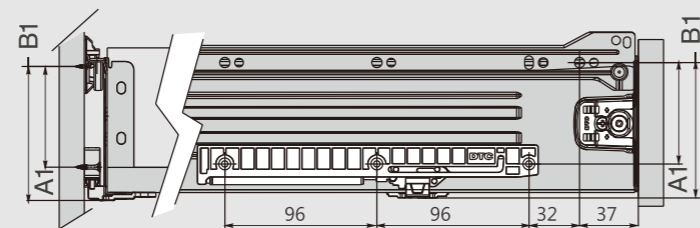
Soft-close Device Installation for Single-wall Drawer

Slide length 350-550mm(14"-22")



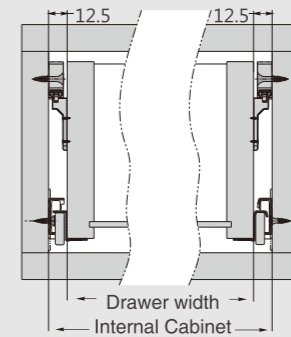
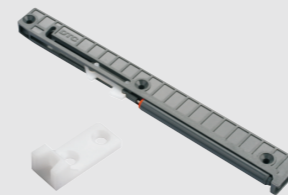
Item No. **W-HC1**
Set/ctn 200

Panel height(mm)	A1(mm)	B1(mm)
54	32	54
86	64	86
118	96	118
150	128	150



Soft-close Device Installation for Roller Slide

Slide length 250-600mm(14"-24")



Item No. **W-HC1-1**
Set/ctn 200

H(mm)	A(mm)
14.5	37
13	35.5

