

DOUBLE-WALL DRAWER SYSTEMS  
MAGIC-STAR PLUS



The Metal Straight-sided Slim Drawer  
A Perfect Mix of Function and Elegance



- Linear slim drawer sides - a fashion look and elegant appearance
- Perfect connection between components makes a beautiful drawer



Quietness



Intelligence



Durability

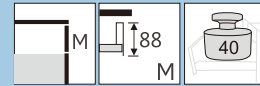


Eco-Friendliness



# MAGIC-STAR PLUS

## HD11 Series Straight-sided Drawer System (Low Drawer: M Height)



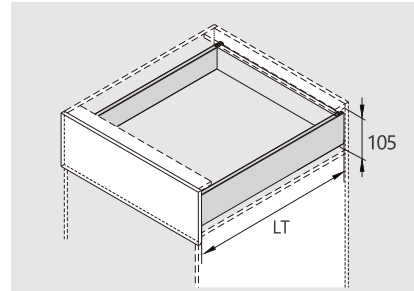
### PRODUCT



### DESCRIPTION

- Concealed, full extension
- Load capacity: 40kg
- Tool free assembly and removal of drawer
- Silent system guarantees smooth run without noise
- 3D adjustment:  
Up & down adjustment: ±2mm  
left & right adjustment: ±1.5mm  
tilt adjustment: +1.5mm, -2.5mm
- Finish: Silk white(E29), Grey matt(E30)

### SPACE REQUIREMENT

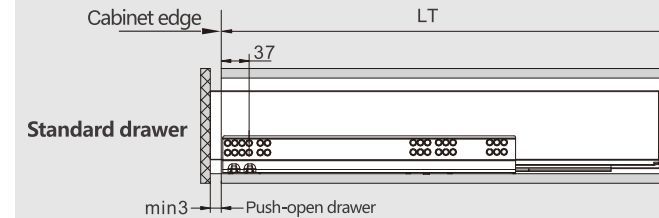


LT=Internal Cabinet Depth  
LT=NL+3

### PLANNING

#### Installation Dimensions(mm)

NL=Nominal Slide Length  
LT=Internal Cabinet Depth  
LT=NL+3



#### Cabinet Configuration

Cabinet widths/KB(mm)	Push-open drawer Synchronization rod	
300	○	○ recommended
350	○	
400	○	
450	○	
500	○	
600	○	
800	●	● strongly recommended
900	●	
1000	●	
1200	●	

### LOW DRAWER FOR WOOD DRAWER BACK

Kit Package			
Silk White(E29)! Grey Matt(E30)!			
NL	Soft Close item No.	Push-open item No.	Set/ctn
270mm	HD11270A17X	HD41270A17X	1
300mm	HD11300A17X	HD41300A17X	1
350mm	HD11350A17X	HD41350A17X	1
400mm	HD11400A17X	HD41400A17X	1
450mm	HD11450A17X	HD41450A17X	1
500mm	HD11500A17X	HD41500A17X	1
550mm	HD11550A17X	HD41550A17X	1
600mm	HD11600A17X	HD41600A17X	1

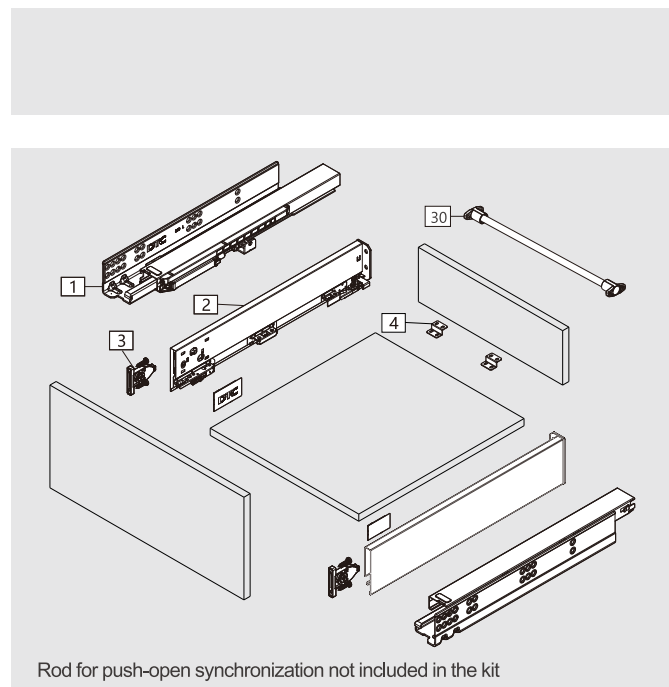
1 Slides (left/right) /Industrial Package			
Pre-zinc Steel(F02)			
NL	Soft Close item No.	Push-open item No.	Set/ctn
270mm	HD10270H	HD40270H	5
300mm	HD10300H	HD40300H	5
350mm	HD10350H	HD40350H	5
400mm	HD10400H	HD40400H	5
450mm	HD10450H	HD40450H	5
500mm	HD10500H	HD40500H	5
550mm	HD10550H	HD40550H	5
600mm	HD10600H	HD40600H	5

2 Drawer Sides and Cover Caps (left/right) /Industrial Package			
Silk White(E29)! Grey Matt(E30)!			
NL	Item No.	Set/ctn	
270mm	HE112707X	5	
300mm	HE113007X	5	
350mm	HE113507X	5	
400mm	HE114007X	5	
450mm	HE114507X	5	
500mm	HE115007X	5	
550mm	HE115507X	5	
600mm	HE116007X	5	

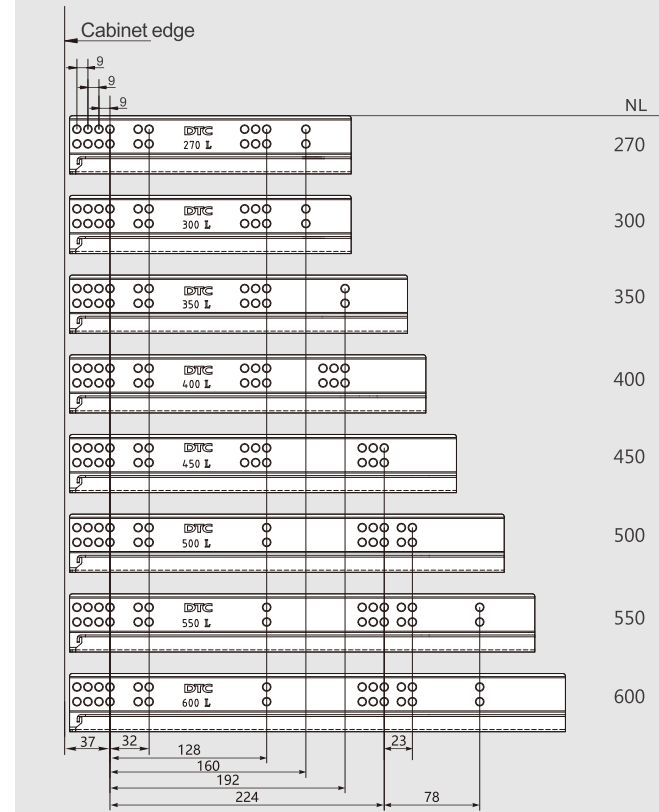
3 Front Fixing-brackets (left/right) / Industrial Package			
Pre-zinc Steel(F02)			
	Item No.	Set/ctn	
Screw-on	HE11011X	120	
Press-in	HE11016X	120	

30 Rod for Push-open Synchronization / Industrial Package			
Size:1100mm.Cutting:Internal cabinet width LW-172 for Nominal Side Length: 350mm、400mm、450mm、500mm、550mm、600mm			
Item No.	HT0FH02	Set/ctn	60

4 Fixing-brackets			
Zinc plated(B04)			
Item No.	HT10082	Pcs/ctn	400

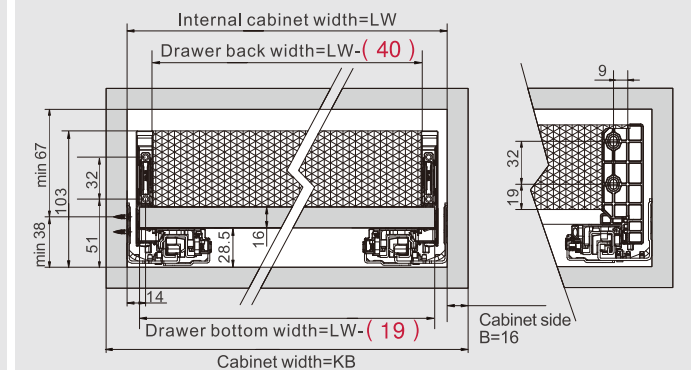


#### Screw Positions of the Slides(mm)

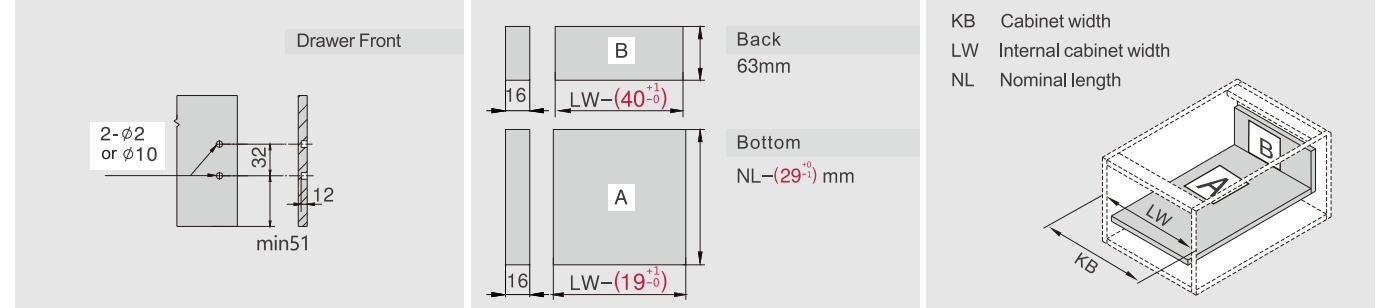


#### Installation Dimensions(mm)

LW=Internal Cabinet Width



#### Drawer Front, Back and Bottom Dimensions(mm)



# MAGIC-STAR PLUS

## HD11 Series Straight-sided Drawer System (Low Inner Drawer: M Height)



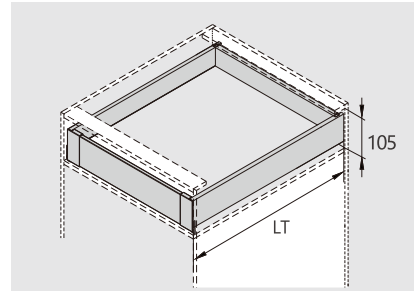
### PRODUCT



### DESCRIPTION

- Concealed, full extension
- Load capacity: 40kg
- Tool free assembly and removal of drawer
- Silent system guarantees smooth run without noise
- 3D adjustment:
  - Up & down adjustment: ±2mm
  - left & right adjustment: ±1.5mm
  - tilt adjustment: +1.5mm, -2.5mm
- Finish: Silk white(E29), Grey matt(E30)

### SPACE REQUIREMENT

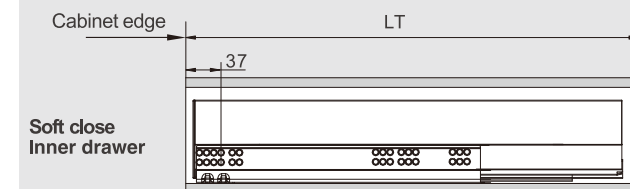


LT=Internal Cabinet Depth  
Soft close slides LT=NL+3  
Push-open slides LT=NL+13

### PLANNING

#### Installation Dimensions(mm)

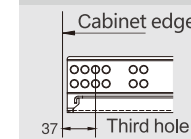
NL=Nominal Slide Length  
LT=Internal Cabinet Depth  
Soft close slides LT=NL+3  
Push-open slides LT=NL+13



#### Cabinet Configuration

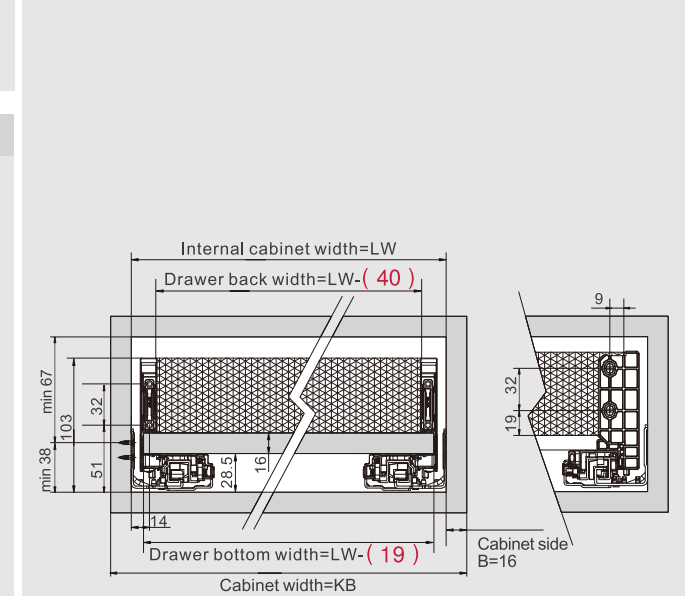
Cabinet widths/KB(mm)	Push-open drawer Synchronization rod	
300	○	○ recommended
350	○	
400	○	
450	○	
500	○	
600	○	● strongly recommended
800	●	
900	●	
1000	●	
1200	●	

#### Fixing Hole Position for Push-open Inner Drawer(mm)

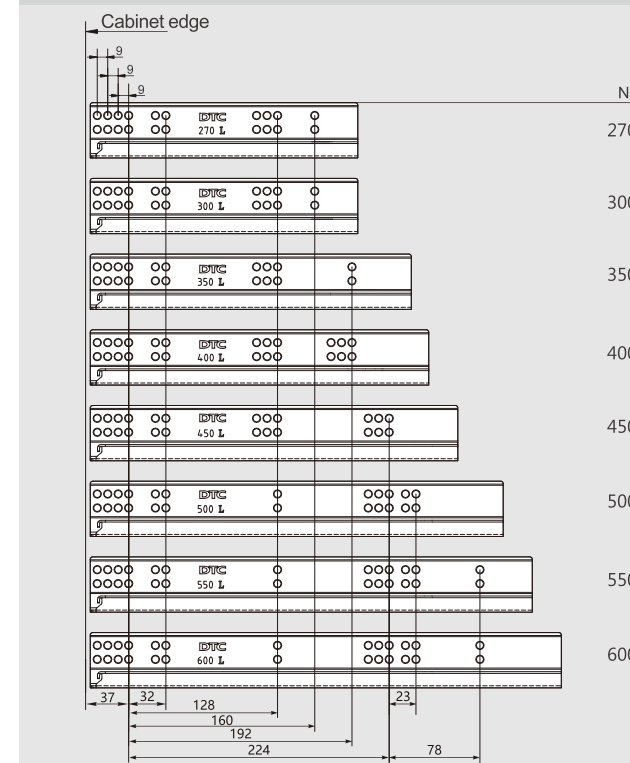


#### Installation Dimensions(mm)

LW=Internal Cabinet Width



#### Screw Positions of the Slides(mm)



### LOW INNER DRAWER FOR WOOD DRAWER BACK

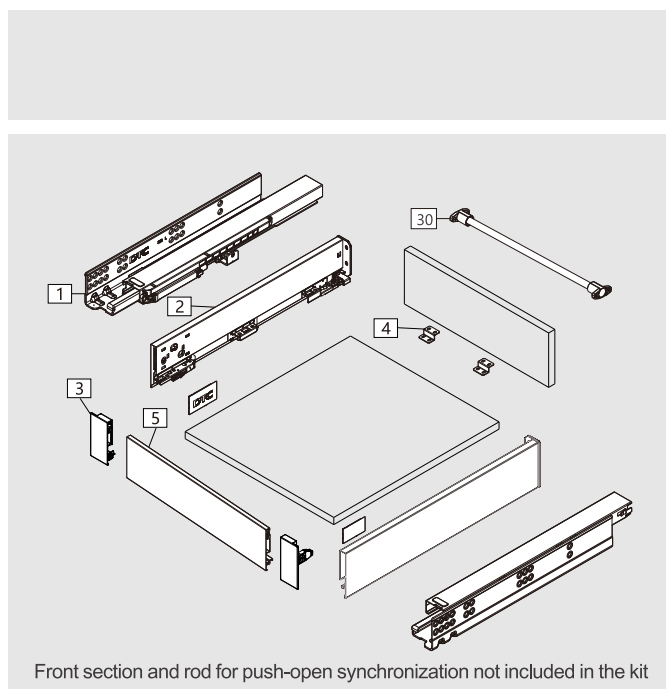
Kit Package				1 Slides (left/right) / Industrial Package				2 Drawer Sides and Cover Caps (left/right) / Industrial Package			
Silk White(E29)! Grey Matt(E30)!				Pre-zinc Steel(F02)				Silk White(E29)! Grey Matt(E30)!			
NL	Soft Close item No.	Push-open item No.	Set/ctn	NL	Soft Close item No.	Push-open item No.	Set/ctn	NL	Item No.	Set/ctn	
270mm	HD11270Q17X	HD41270Q17X	1	270mm	HD10270H	HD40270H	5	270mm	HE112707X	5	
300mm	HD11300Q17X	HD41300Q17X	1	300mm	HD10300H	HD40300H	5	300mm	HE113007X	5	
350mm	HD11350Q17X	HD41350Q17X	1	350mm	HD10350H	HD40350H	5	350mm	HE113507X	5	
400mm	HD11400Q17X	HD41400Q17X	1	400mm	HD10400H	HD40400H	5	400mm	HE114007X	5	
450mm	HD11450Q17X	HD41450Q17X	1	450mm	HD10450H	HD40450H	5	450mm	HE114507X	5	
500mm	HD11500Q17X	HD41500Q17X	1	500mm	HD10500H	HD40500H	5	500mm	HE115007X	5	
550mm	HD11550Q17X	HD41550Q17X	1	550mm	HD10550H	HD40550H	5	550mm	HE115507X	5	
600mm	HD11600Q17X	HD41600Q17X	1	600mm	HD10600H	HD40600H	5	600mm	HE116007X	5	

3	Front Fixing-brackets (left/right) / Industrial Package
	White(H03)! Dark Grey(H11)
	Item No. <b>HD11012X</b>
	Set/ctn 60

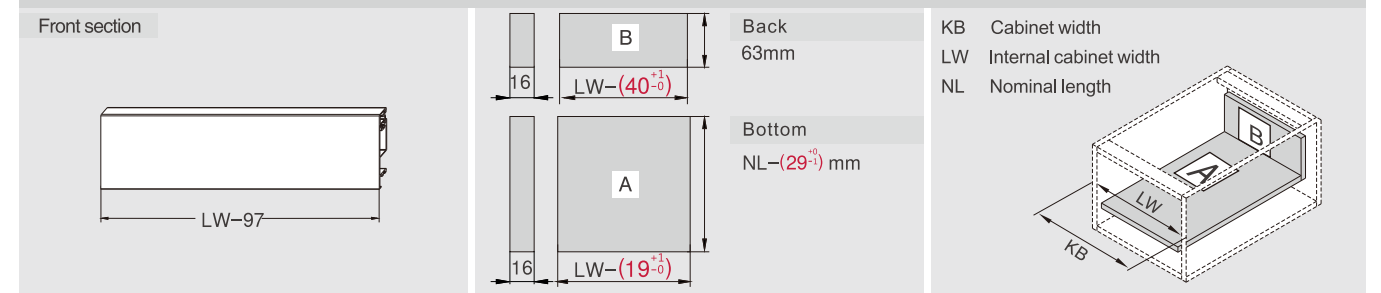
5	Front Section / Industrial Package
	Size:1100mm.Cutting:Internal cabinet width LW-97
	Silk White(E29)! Grey Matt(E30)
	Item No. <b>HT10022</b>
	Set/ctn 20

30	Rod for Push-open Synchronization / Industrial Package
	Size:1100mm.Cutting:Internal cabinet width LW-172 for Nominal Side Length: 350mm, 400mm, 450mm, 500mm, 550mm, 600mm
	Item No. <b>HT0FH02</b>
	Set/ctn 60

4	Fixing-brackets
	Zinc plated(B04)
	Item No. <b>HT10082</b>
	Pcs/ctn 400

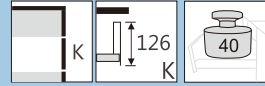


#### Front Section, Back and Bottom Dimensions(mm)



# MAGIC-STAR PLUS

## HD12 Series Straight-sided Drawer System (Medium Drawer: K Height)



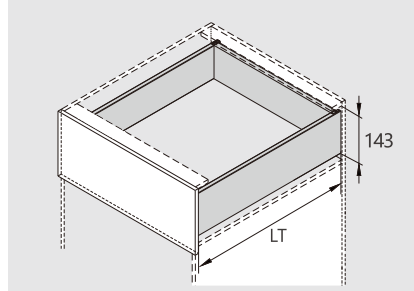
### PRODUCT



### DESCRIPTION

- Concealed, full extension
- Load capacity: 40kg
- Tool free assembly and removal of drawer
- Silent system guarantees smooth run without noise
- 3D adjustment:  
Up & down adjustment: ±2mm  
left & right adjustment: ±1.5mm  
tilt adjustment: +1.5mm, -2.5mm
- Finish: Silk white(E29), Grey matt(E30)

### SPACE REQUIREMENT

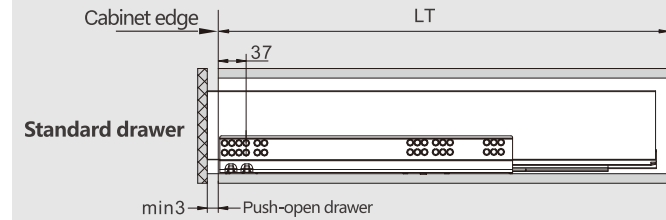


LT=Internal Cabinet Depth  
LT=NL+3

### PLANNING

#### Installation Dimensions(mm)

NL=Nominal Slide Length  
LT=Internal Cabinet Depth  
LT=NL+3



#### Cabinet Configuration

Cabinet widths/KB(mm)	Push-open drawer Synchronization rod	
300	○	○ recommended
350	○	
400	○	
450	○	
500	○	
600	○	● strongly recommended
800	●	
900	●	
1000	●	
1200	●	

### MEDIUM DRAWER FOR WOOD DRAWER BACK

Kit Package			
Silk White(E29)! Grey Matt(E30)!			
NL	Soft Close item No.	Push-open item No.	Set/ctn
270mm	HD12270A17X	HD42270A17X	1
300mm	HD12300A17X	HD42300A17X	1
350mm	HD12350A17X	HD42350A17X	1
400mm	HD12400A17X	HD42400A17X	1
450mm	HD12450A17X	HD42450A17X	1
500mm	HD12500A17X	HD42500A17X	1
550mm	HD12550A17X	HD42550A17X	1
600mm	HD12600A17X	HD42600A17X	1

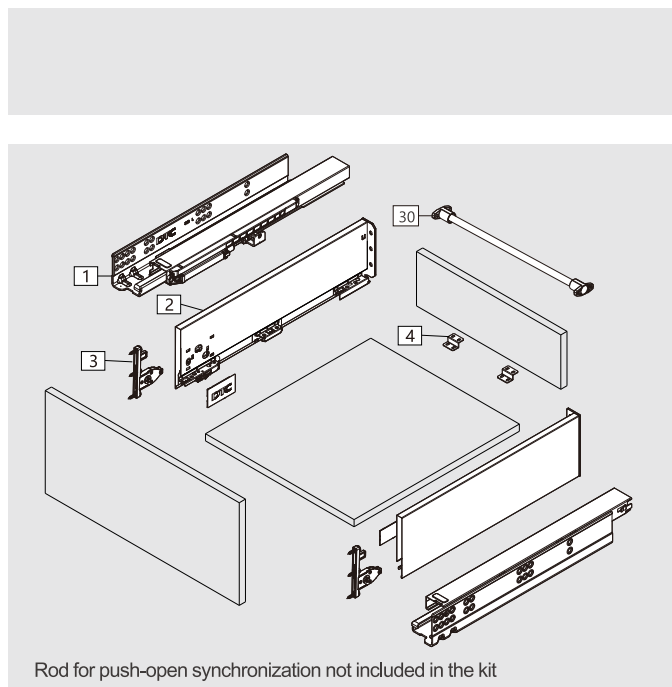
1 Slides (left/right) /Industrial Package			
Pre-zinc Steel(F02)			
NL	Soft Close item No.	Push-open item No.	Set/ctn
270mm	HD10270H	HD40270H	5
300mm	HD10300H	HD40300H	5
350mm	HD10350H	HD40350H	5
400mm	HD10400H	HD40400H	5
450mm	HD10450H	HD40450H	5
500mm	HD10500H	HD40500H	5
550mm	HD10550H	HD40550H	5
600mm	HD10600H	HD40600H	5

2 Drawer Sides and Cover Caps (left/right) /Industrial Package		
Silk White(E29)! Grey Matt(E30)!		
NL	Item No.	Set/ctn
270mm	HE122707X	5
300mm	HE123007X	5
350mm	HE123507X	5
400mm	HE124007X	5
450mm	HE124507X	5
500mm	HE125007X	5
550mm	HE125507X	5
600mm	HE126007X	5

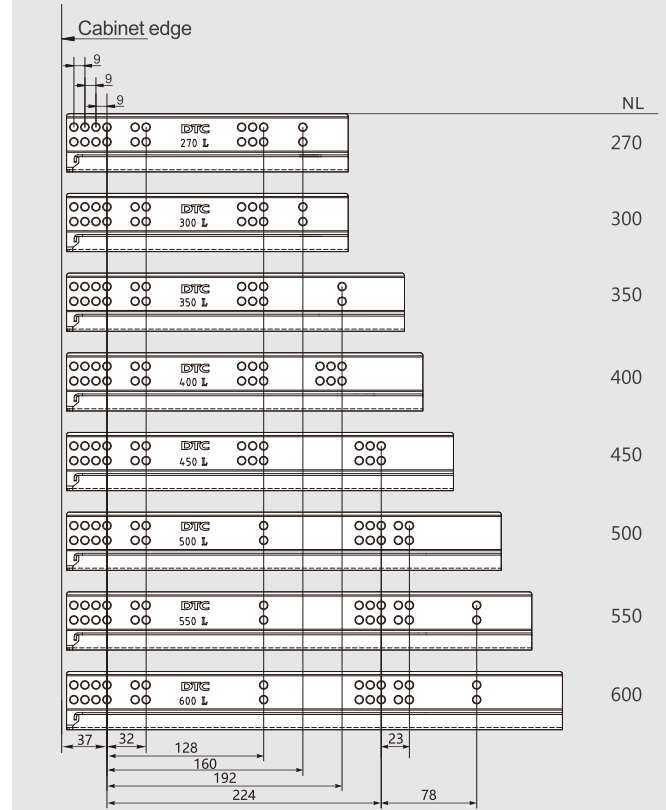
3 Front Fixing-brackets (left/right) / Industrial Package	
Pre-zinc Steel(F02)	
	Item No. Set/ctn
Screw-on	HE12011X 120
Press-in	HE12016X 120

30 Rod for Push-open Synchronization / Industrial Package	
Size:1100mm.Cutting:Internal cabinet width LW-172 for Nominal Side Length: 350mm、400mm、450mm、500mm、550mm、600mm	
Item No.	HT0FH02
Set/ctn	60

4 Fixing-brackets	
Zinc plated(B04)	
Item No.	HT10082
Pcs/ctn	400

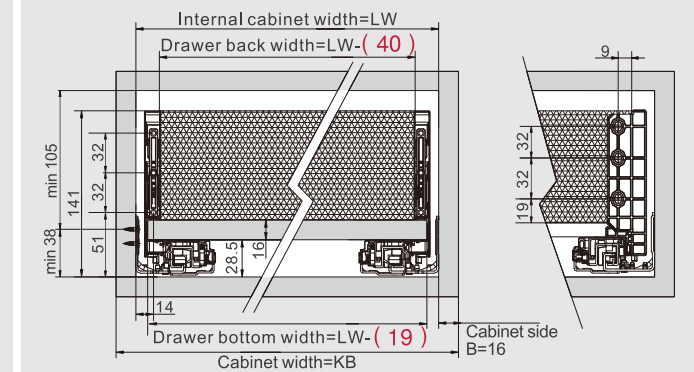


#### Screw Positions of the Slides(mm)

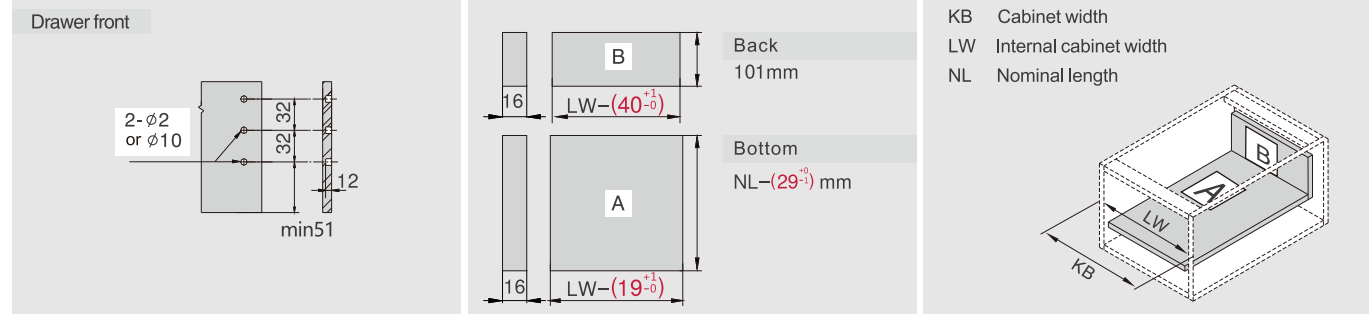


#### Installation Dimensions(mm)

LW=Internal Cabinet Width



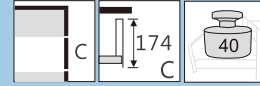
#### Drawer Front, Back and Bottom Dimensions(mm)





# MAGIC-STAR PLUS

## HD13 Series Straight-sided Drawer System (High Drawer: C Height)



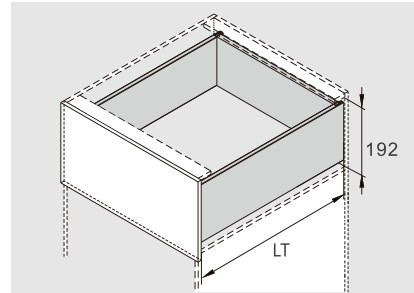
### PRODUCT



### DESCRIPTION

- Concealed, full extension
- Load capacity: 40kg
- Tool free assembly and removal of drawer
- Silent system guarantees smooth run without noise
- 3D adjustment:  
Up & down adjustment: ±2mm  
left & right adjustment: ±1.5mm  
tilt adjustment: +1.5mm, -2.5mm
- Finish: Silk white(E29), Grey matt(E30)

### SPACE REQUIREMENT

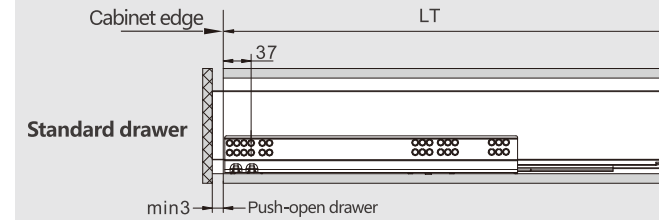


LT=Internal Cabinet Depth  
LT=NL+3

### PLANNING

#### Installation Dimensions(mm)

NL=Nominal Slide Length  
LT=Internal Cabinet Depth  
LT=NL+3



#### Cabinet Configuration

Cabinet widths/KB(mm)	Push-open drawer Synchronization rod	
300	○	○ recommended
350	○	
400	○	
450	○	
500	○	
600	○	● strongly recommended
800	●	
900	●	
1000	●	
1200	●	

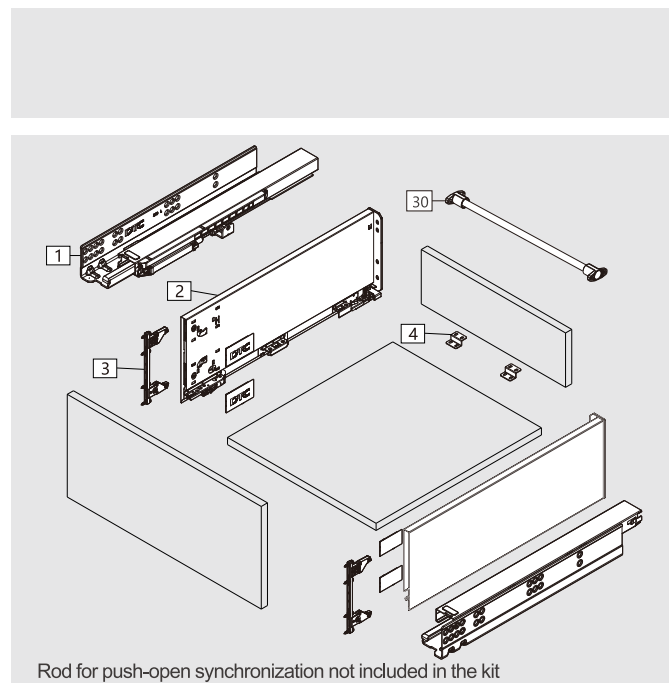
### HIGH DRAWER FOR WOOD DRAWER BACK

Kit Package				1 Slides (left/right) /Industrial Package				2 Drawer Sides and Cover Caps (left/right) /Industrial Package			
Silk White(E29)! Grey Matt(E30)!				Pre-zinc Steel(F02)				Silk White(E29)! Grey Matt(E30)!			
NL	Soft Close item No.	Push-open item No.	Set/ctn	NL	Soft Close item No.	Push-open item No.	Set/ctn	NL	Item No.	Set/ctn	
270mm	HD13270A17X	HD43270A17X	1	270mm	HD10270H	HD40270H	5	270mm	HE132707X	5	
300mm	HD13300A17X	HD43300A17X	1	300mm	HD10300H	HD40300H	5	300mm	HE133007X	5	
350mm	HD13350A17X	HD43350A17X	1	350mm	HD10350H	HD40350H	5	350mm	HE133507X	5	
400mm	HD13400A17X	HD43400A17X	1	400mm	HD10400H	HD40400H	5	400mm	HE134007X	5	
450mm	HD13450A17X	HD43450A17X	1	450mm	HD10450H	HD40450H	5	450mm	HE134507X	5	
500mm	HD13500A17X	HD43500A17X	1	500mm	HD10500H	HD40500H	5	500mm	HE135007X	5	
550mm	HD13550A17X	HD43550A17X	1	550mm	HD10550H	HD40550H	5	550mm	HE135507X	5	
600mm	HD13600A17X	HD43600A17X	1	600mm	HD10600H	HD40600H	5	600mm	HE136007X	5	

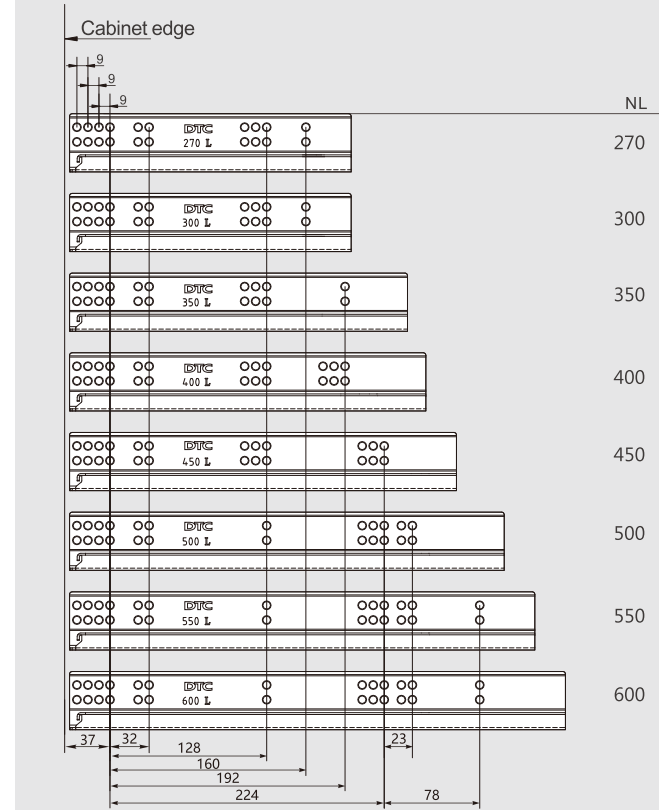
3 Front Fixing-brackets (left/right) / Industrial Package			
Blue zinc plated(B02)			
	Item No.	Set/ctn	
Screw-on	HE13011X	120	
Press-in	HE13016X	120	

30 Rod for Push-open Synchronization / Industrial Package			
Size:1100mm.Cutting:Internal cabinet width LW-172 for Nominal Side Length: 350mm、400mm、450mm、500mm、550mm、600mm			
Item No.	HT0FH02		
Set/ctn	60		

4 Fixing-brackets			
Zinc plated(B04)			
Item No.	HT10082		
Pcs/ctn	400		

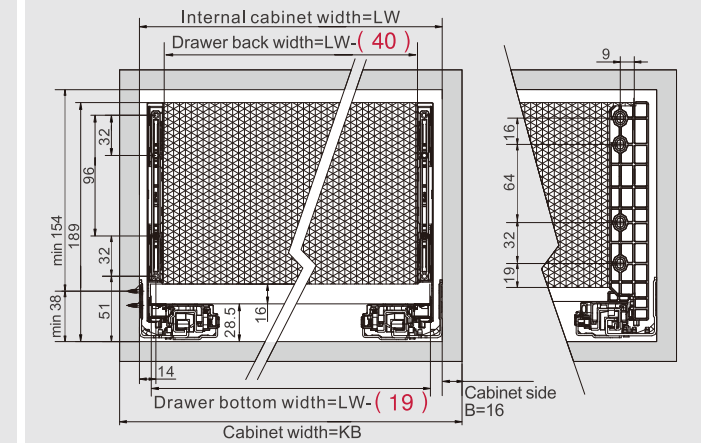


### Screw Positions of the Slides(mm)

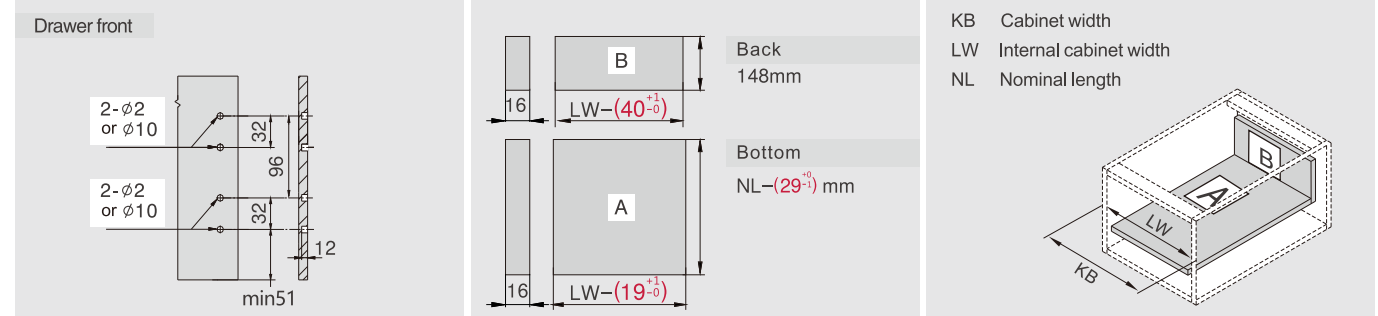


### Installation Dimensions(mm)

LW=Internal Cabinet Width

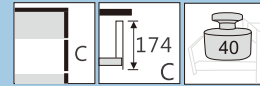


### Drawer Front, Back and Bottom Dimensions(mm)



# MAGIC-STAR PLUS

## HD13 Series Straight-sided Drawer System (High Inner Drawer: C Height)



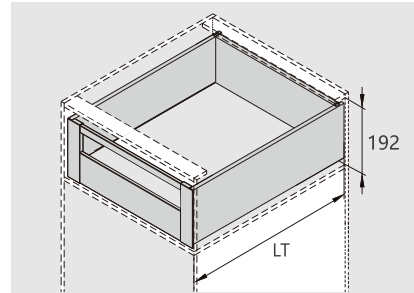
### PRODUCT



### DESCRIPTION

- Concealed, full extension
- Load capacity: 40kg
- Tool free assembly and removal of drawer
- Silent system guarantees smooth run without noise
- 3D adjustment:
  - Up & down adjustment: ±2mm
  - left & right adjustment: ±1.5mm
  - tilt adjustment: +1.5mm, -2.5mm
- Finish: Silk white(E29), Grey matt(E30)

### SPACE REQUIREMENT

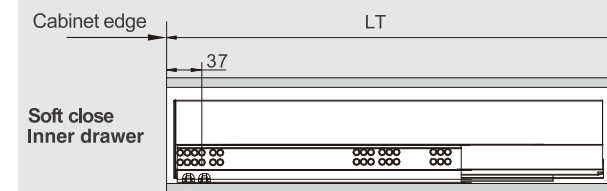


LT=Internal Cabinet Depth  
Soft close slides LT=NL+3  
Push-open slides LT=NL+13

### PLANNING

#### Installation Dimensions(mm)

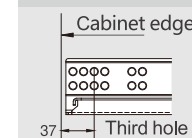
NL=Nominal Slide Length      Soft close slides LT=NL+3  
LT=Internal Cabinet Depth      Push-open slides LT=NL+13



#### Cabinet Configuration

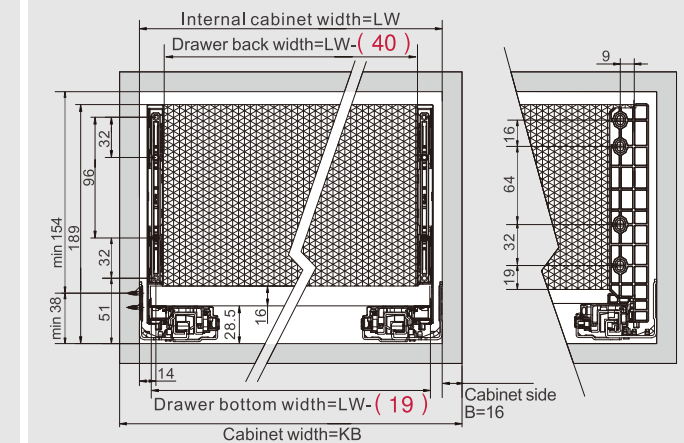
Cabinet widths/KB(mm)	Push-open drawer Synchronization rod	
300	○	○ recommended ● strongly recommended
350	○	
400	○	
450	○	
500	○	
600	○	
800	●	
900	●	
1000	●	
1200	●	

#### Fixing Hole Position for Push-open Inner Drawer(mm)



#### Installation Dimensions(mm)

LW=Internal Cabinet Width



### HIGH INNER DRAWER WITH SQUARE CROSS RAIL FOR WOOD DRAWER BACK

Kit Package				1 Slides (left/right) / Industrial Package				2 Drawer Sides and Cover Caps (left/right) / Industrial Package				
Silk White(E29)! Grey Matt(E30)!				Pre-zinc Steel(F02)				Silk White(E29)! Grey Matt(E30)!				
NL	Soft Close item No.	Push-open item No.	Set/ctn	NL	Soft Close item No.	Push-open item No.	Set/ctn	NL	Item No.	Set/ctn	Item No.	Set/ctn
270mm	HD13270Q17X	HD43270Q17X	1	270mm	HD10270H	HD40270H	5	270mm	HE132707X	5		
300mm	HD13300Q17X	HD43300Q17X	1	300mm	HD10300H	HD40300H	5	300mm	HE133007X	5		
350mm	HD13350Q17X	HD43350Q17X	1	350mm	HD10350H	HD40350H	5	350mm	HE133507X	5		
400mm	HD13400Q17X	HD43400Q17X	1	400mm	HD10400H	HD40400H	5	400mm	HE134007X	5		
450mm	HD13450Q17X	HD43450Q17X	1	450mm	HD10450H	HD40450H	5	450mm	HE134507X	5		
500mm	HD13500Q17X	HD43500Q17X	1	500mm	HD10500H	HD40500H	5	500mm	HE135007X	5		
550mm	HD13550Q17X	HD43550Q17X	1	550mm	HD10550H	HD40550H	5	550mm	HE135507X	5		
600mm	HD13600Q17X	HD43600Q17X	1	600mm	HD10600H	HD40600H	5	600mm	HE136007X	5		

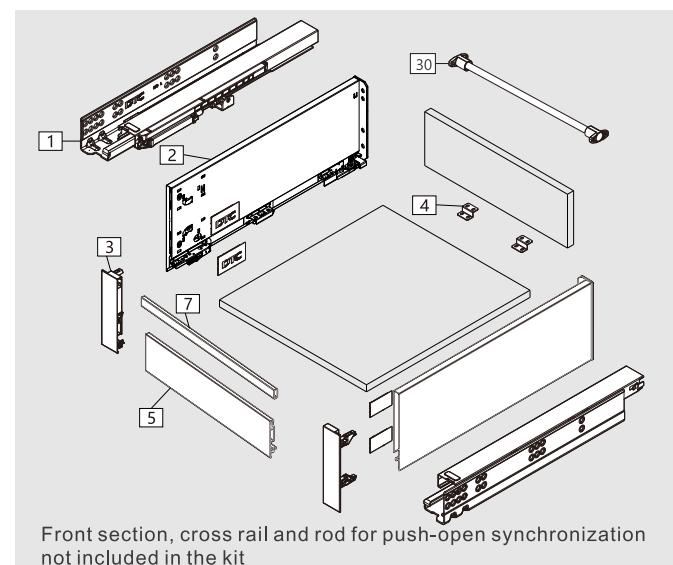
3	Front Fixing-brackets (left/right) / Industrial Package White(H03)! Dark Grey(H11)	Item No. <b>HD13014X</b>	Set/ctn 60
---	---	--------------------------	------------

7	Square Cross Rail / Industrial Package Silk White(E29)! Grey Matt(E30)	Item No. <b>HT10071</b>	Set/ctn 60
Size:1100mm.Cutting: Internal cabinet width LW-72			

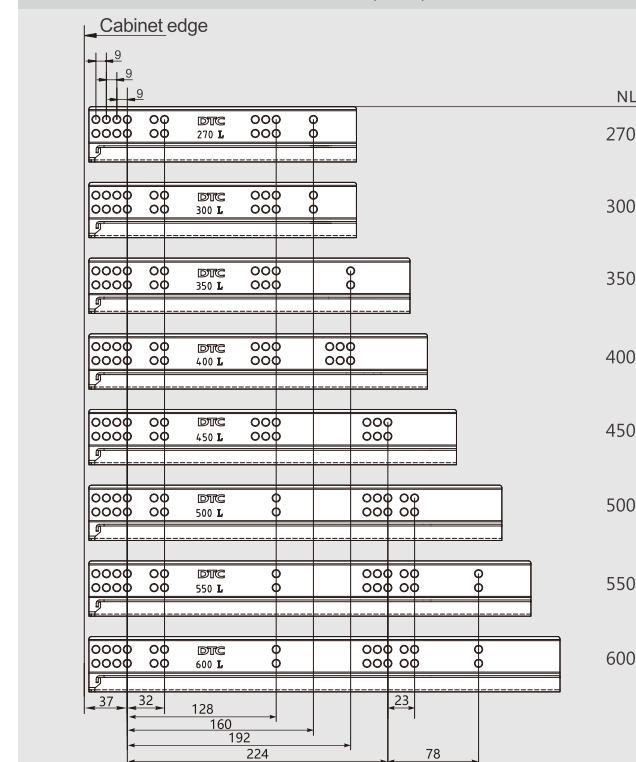
5	Front Section / Industrial Package Size:1100mm.Cutting:Internal cabinet width LW-97	Item No. <b>HT10022</b>	Set/ctn 20
---	--	-------------------------	------------

30	Rod for Push-open Synchronization / Industrial Package Size:1100mm.Cutting:Internal cabinet width LW-172 for Nominal Side Length: 350mm, 400mm, 450mm, 500mm, 550mm, 600mm	Item No. <b>HT0FH02</b>	Set/ctn 60
----	---	-------------------------	------------

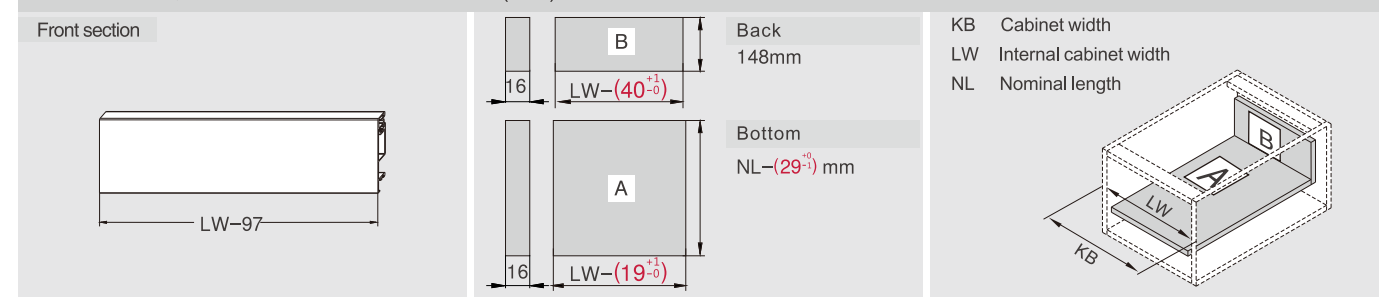
4	Fixing-brackets Zinc plated(B04)	Item No. <b>HT10082</b>	Pcs/ctn 400
---	-------------------------------------	-------------------------	-------------



#### Screw Positions of the Slides(mm)



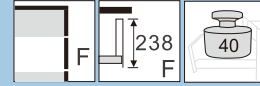
#### Front Section, Back and Bottom Dimensions(mm)





# MAGIC-STAR PLUS

## HD14 Series Straight-sided Drawer System (Super High Drawer: F Height)



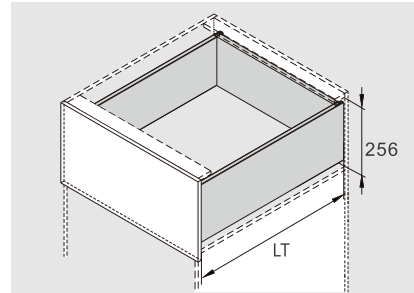
### PRODUCT



### DESCRIPTION

- Concealed, full extension
- Load capacity: 40kg
- Tool free assembly and removal of drawer
- Silent system guarantees smooth run without noise
- 3D adjustment:  
Up & down adjustment: ±2mm  
left & right adjustment: ±1.5mm  
tilt adjustment: +1.5mm, -2.5mm
- Finish: Silk white(E29), Grey matt(E30)

### SPACE REQUIREMENT

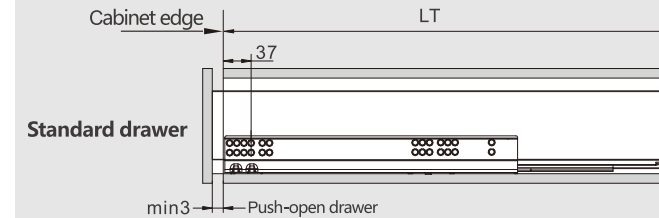


LT=Internal Cabinet Depth  
LT=NL+3

### PLANNING

#### Installation Dimensions(mm)

NL=Nominal Slide Length  
LT=Internal Cabinet Depth  
LT=NL+3



#### Cabinet Configuration

Cabinet widths/KB(mm)	Push-open drawer Synchronization rod	
300	○	○ recommended
350	○	
400	○	
450	○	
500	○	
600	○	● strongly recommended
800	●	
900	●	
1000	●	
1200	●	

### SUPER HIGH DRAWER FOR WOOD DRAWER BACK

Kit Package			
Silk White(E29)! Grey Matt(E30)!			
NL	Soft Close item No.	Push-open item No.	Set/ctn
270mm	HD14270A17X	HD44270A17X	1
300mm	HD14300A17X	HD44300A17X	1
350mm	HD14350A17X	HD44350A17X	1
400mm	HD14400A17X	HD44400A17X	1
450mm	HD14450A17X	HD44450A17X	1
500mm	HD14500A17X	HD44500A17X	1
550mm	HD14550A17X	HD44550A17X	1
600mm	HD14600A17X	HD44600A17X	1

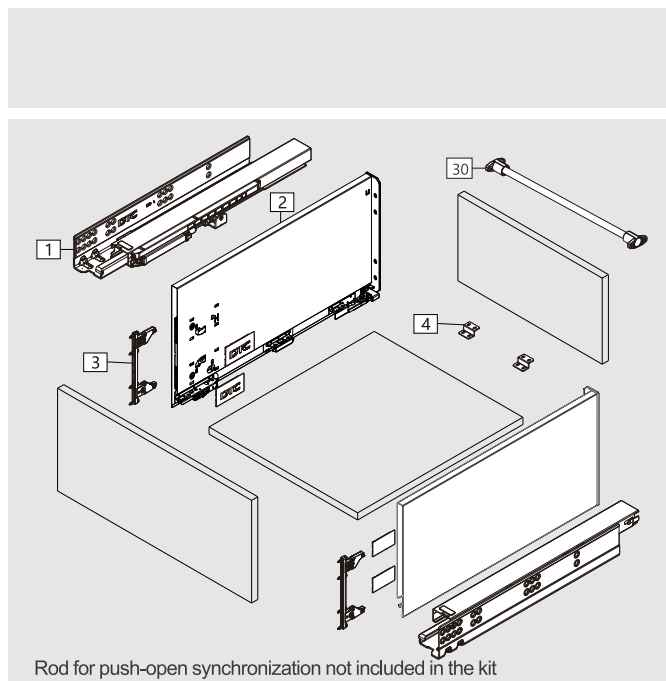
1 Slides (left/right) /Industrial Package			
Pre-zinc Steel(F02)			
NL	Soft Close item No.	Push-open item No.	Set/ctn
270mm	HD10270H	HD40270H	5
300mm	HD10300H	HD40300H	5
350mm	HD10350H	HD40350H	5
400mm	HD10400H	HD40400H	5
450mm	HD10450H	HD40450H	5
500mm	HD10500H	HD40500H	5
550mm	HD10550H	HD40550H	5
600mm	HD10600H	HD40600H	5

2 Drawer Sides and Cover Caps (left/right) /Industrial Package		
Silk White(E29)! Grey Matt(E30)!		
NL	Item No.	Set/ctn
270mm	HE142707X	5
300mm	HE143007X	5
350mm	HE143507X	5
400mm	HE144007X	5
450mm	HE144507X	5
500mm	HE145007X	5
550mm	HE145507X	5
600mm	HE146007X	5

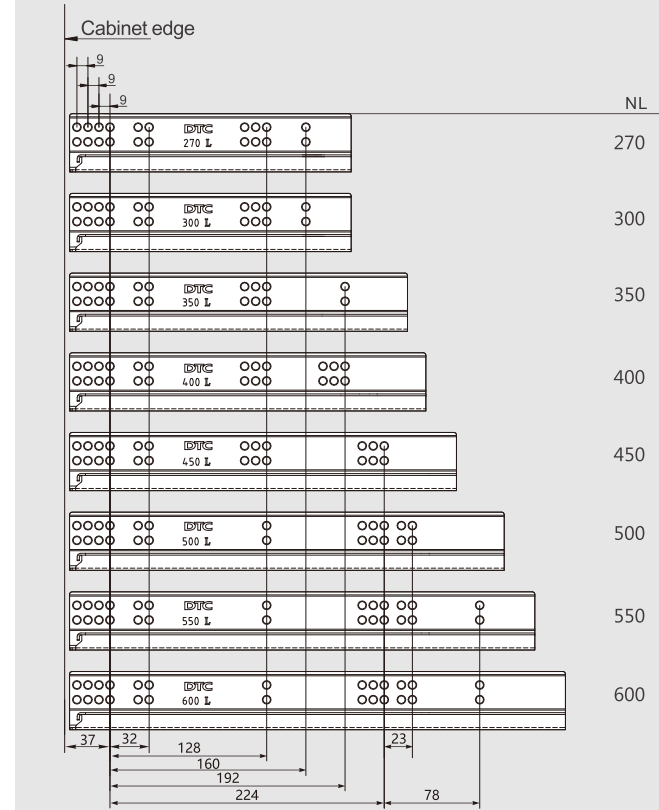
3 Front Fixing-brackets (left/right) / Industrial Package		
Blue zinc plated(B02)		
	Item No.	Set/ctn
Screw-on	HE13011X	120
Press-in	HE13016X	120

4 Fixing-brackets		
Zinc plated(B04)		
	Item No.	Set/ctn
	HT10082	400

30 Rod for Push-open Synchronization / Industrial Package		
Size:1100mm.Cutting:Internal cabinet width LW-172 for Nominal Side Length: 350mm、400mm、450mm、500mm、550mm、600mm		
	Item No.	Set/ctn
	HT0FH02	60

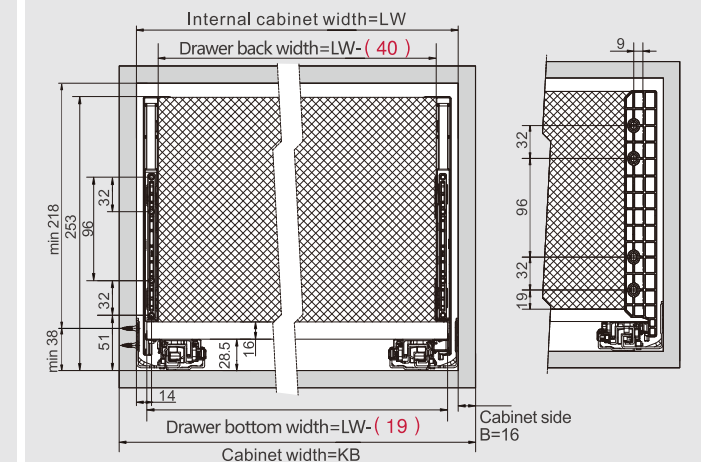


### Screw Positions of the Slides(mm)

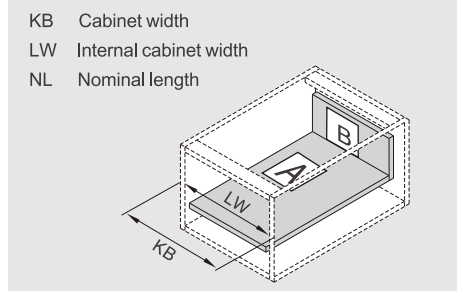
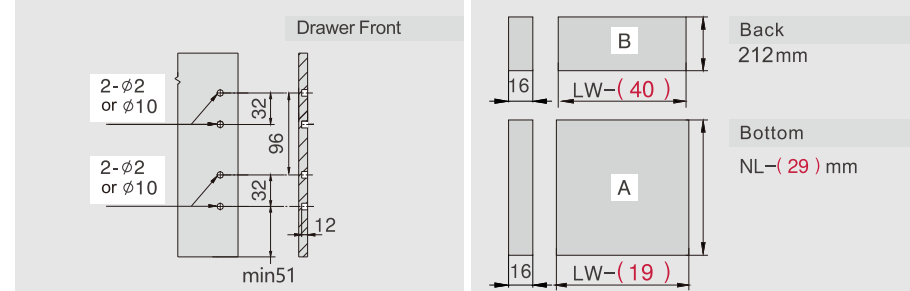


### Installation Dimensions(mm)

LW=Internal Cabinet Width

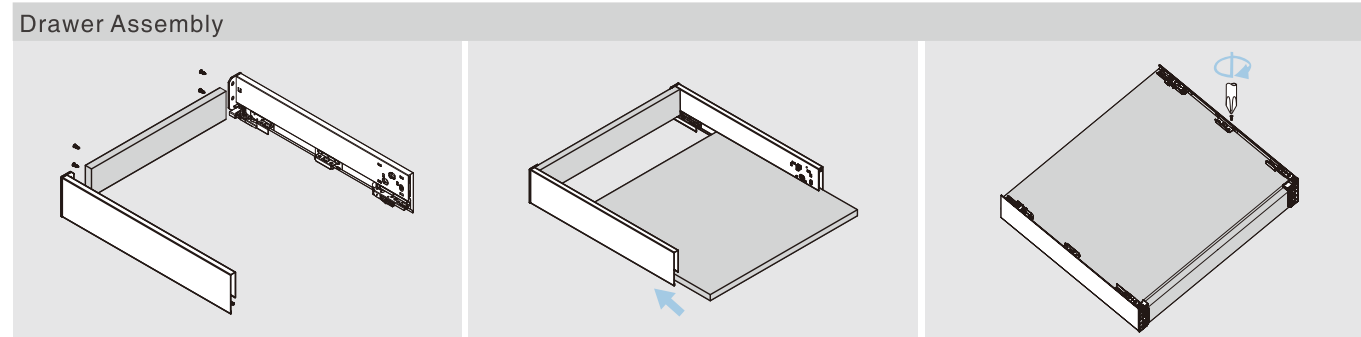


### Drawer Front, Back and Bottom Dimensions(mm)



# ASSEMBLY AND ADJUSTMENT

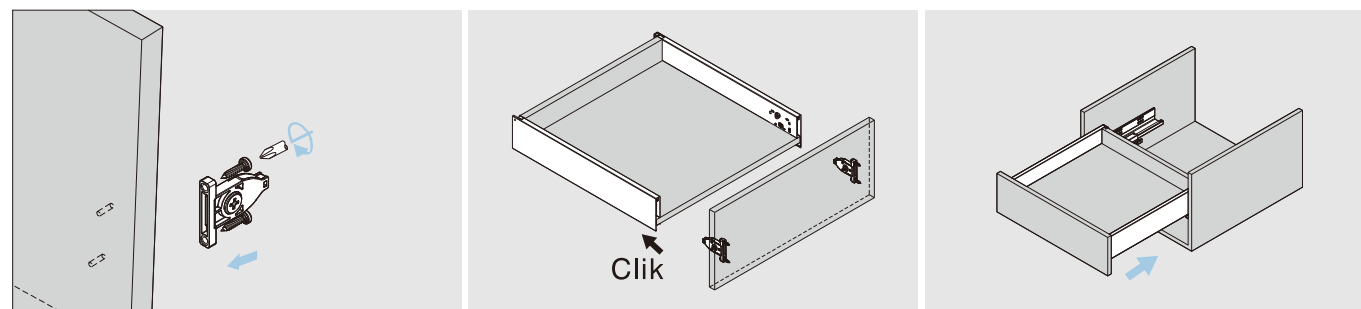
Assembly and Adjustment(for MAGIC-STAR PLUS)



Back assembly

Bottom assembly

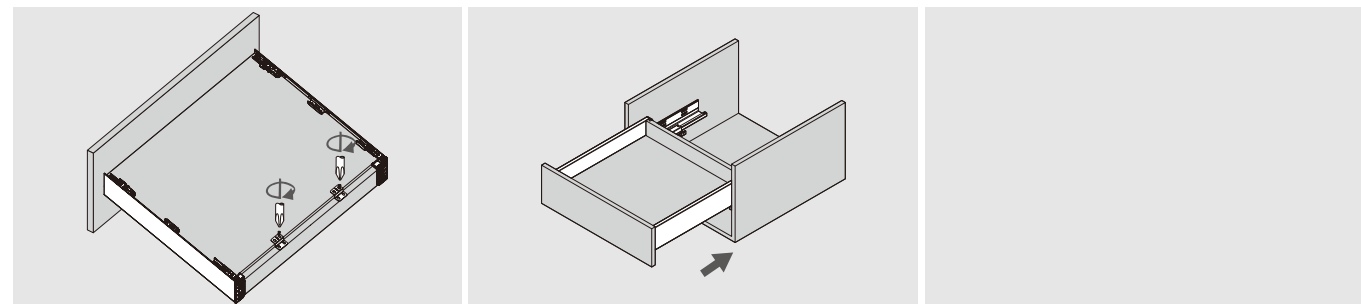
Fix screws



Front assembly

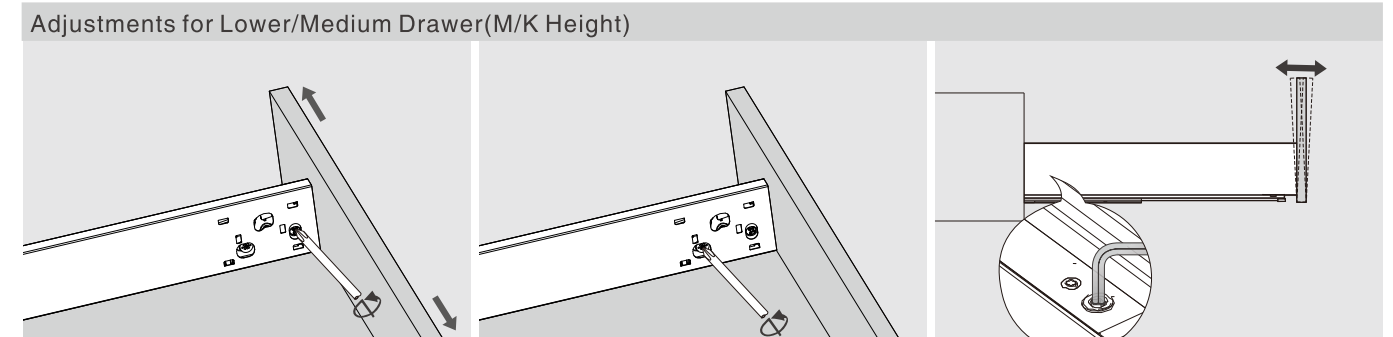
Click

Slide into the cabinet



Fixing-brackets assembly

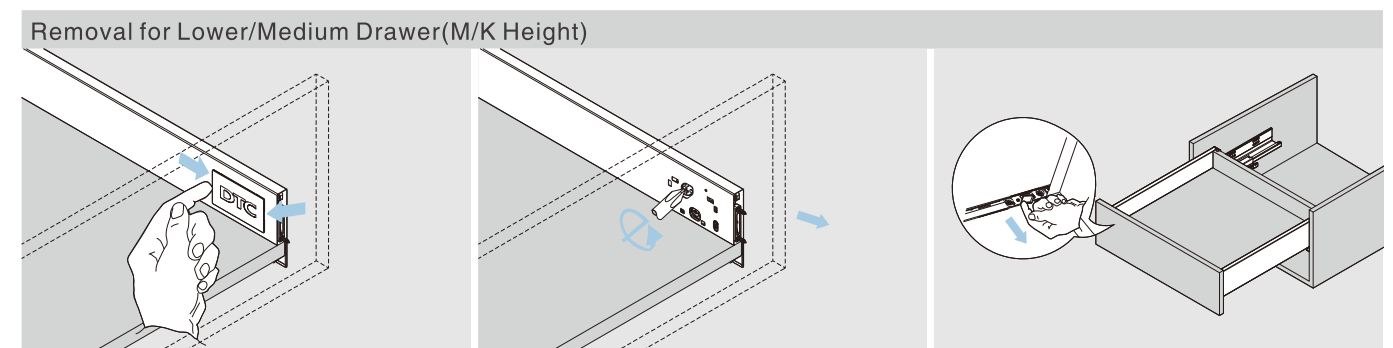
Slide into the cabinet



Left&right adjustment

Up&down adjustment

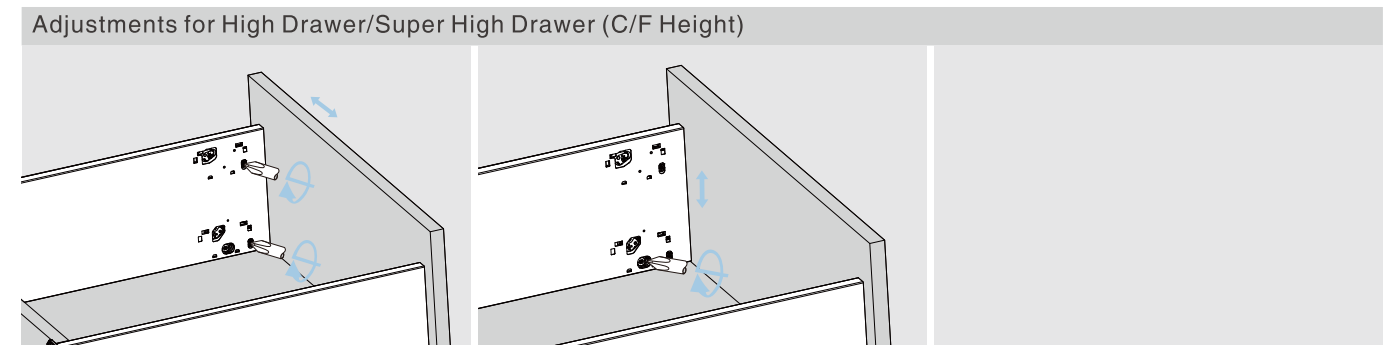
Tilt adjustment (by M3 Allen key)



Tip up the cover and pull out

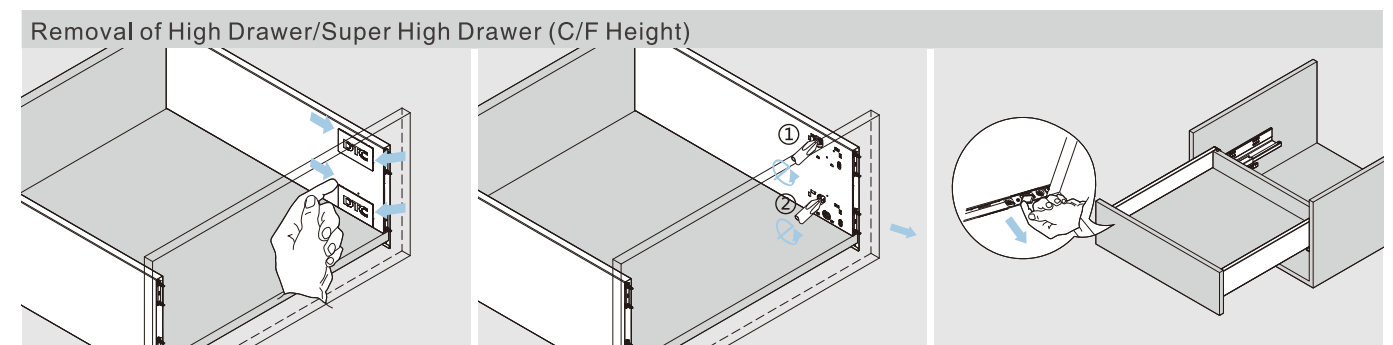
Turn screw driver to release the drawer front

Press the locking device under drawer bottom and pull out the drawer



Left&right adjustment

Up&down adjustment



Tip up the cover and pull out

Turn screw driver to release the drawer front

Press the locking device under drawer bottom and pull out the drawer