

D-MOTION

G80C Series Partial Extension Undermount Slides with Locking Device



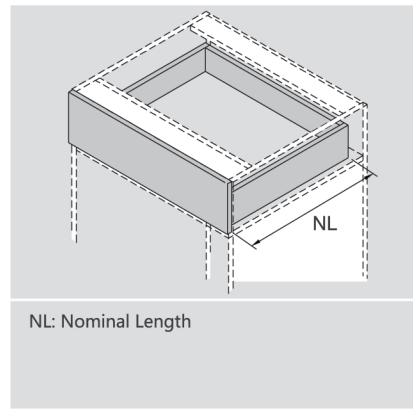
PRODUCT



DESCRIPTION

- Load capacity: 25kg
- Finish: zink plated
- Length: 250-600mm
- Partial extension
- Drawer up&down adjustment: 0~+3mm
- Tool free assembly and removal of drawer
- Silent system guarantees smooth run without noise
- Maximum drawer side thickness: 19mm

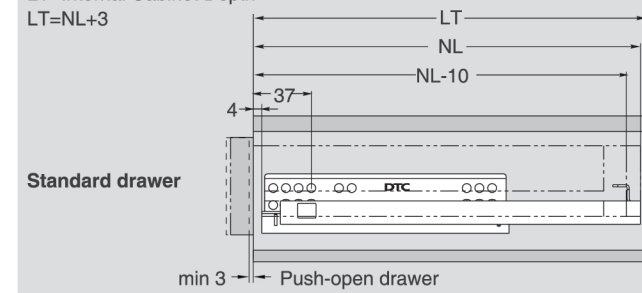
SPACE REQUIREMENT



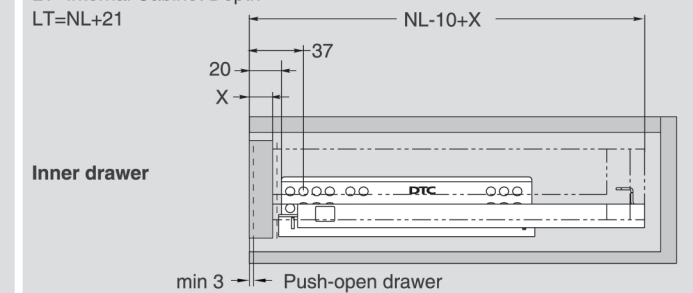
PLANNING

Installation Dimensions(mm)

NL=Nominal Slide Length
 LT=Internal Cabinet Depth
 LT=NL+3



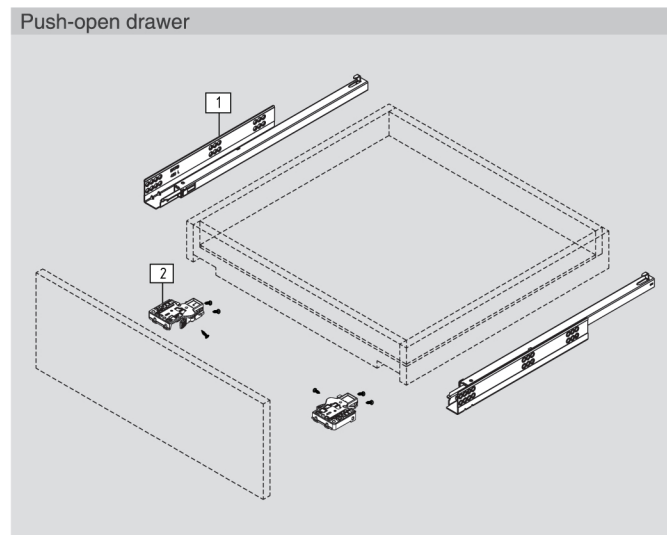
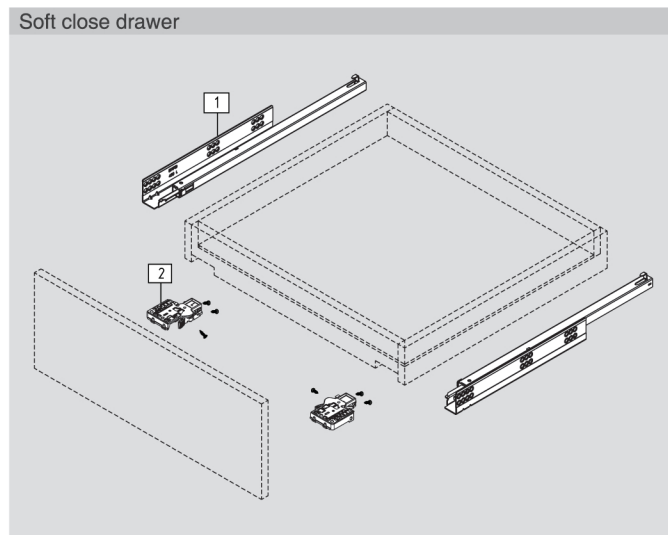
NL=Nominal Slide Length
 LT=Internal Cabinet Depth
 LT=NL+21



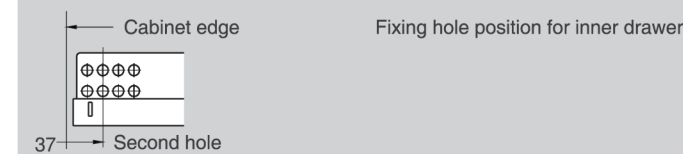
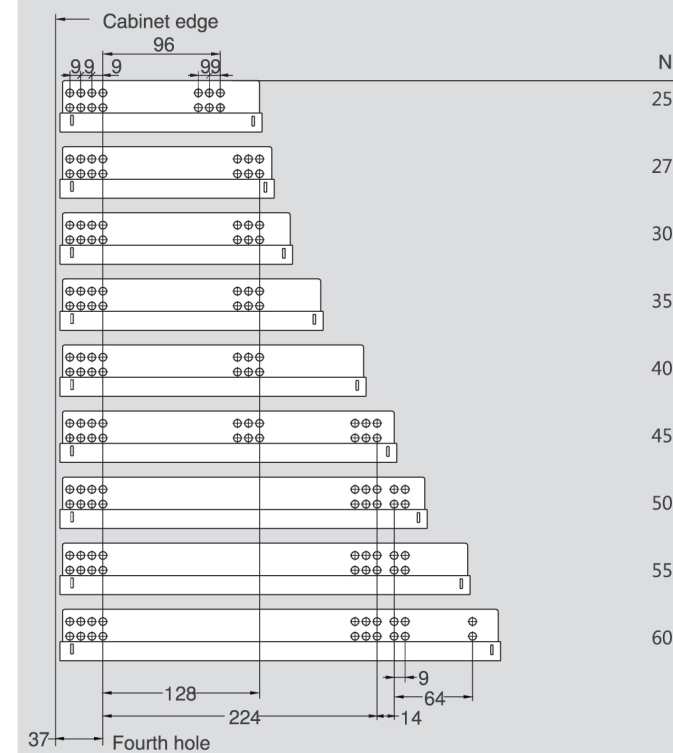
SOFT CLOSE DRAWER/PUSH-OPEN DRAWER

1 Slides (left/right)				
Pre-zinc Steel (F02)				
NL	Soft close item No.	Push-open item No.	Set/ctn	
250mm	G80C250H	G07A250	10	
270mm	G80C270H	G07A270	10	
300mm	G80C300H	G07A300	10	
350mm	G80C350H	G07A350	10	
400mm	G80C400H	G07A400	10	
450mm	G80C450H	G07A450	10	
500mm	G80C500H	G07A500	10	
550mm	G80C550H	G07A550	10	
600mm	G80C600H	G07A600	10	

2 Locking Device (left/right)	
Grey(H11)	
Item No.	OGLD01-A

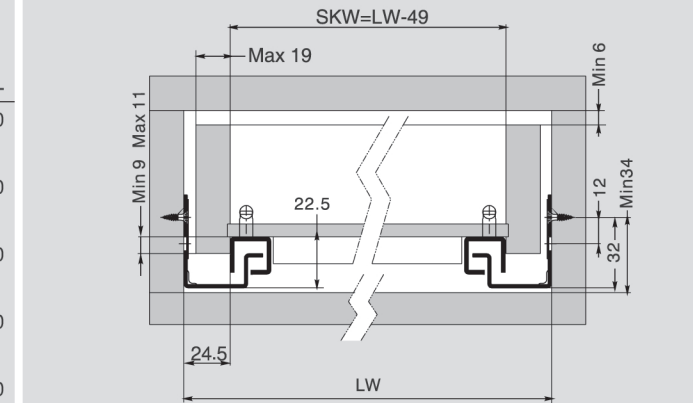


Screw Positions of the Slides(mm)

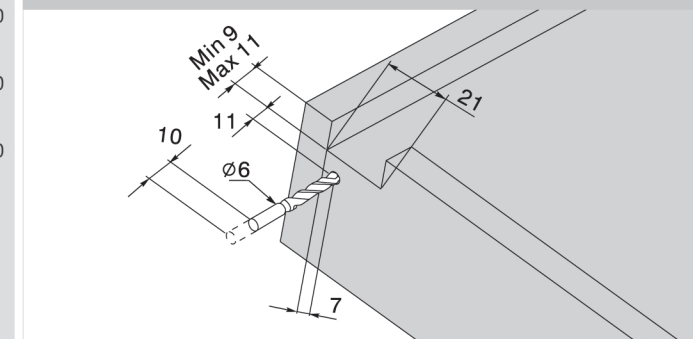


Installation Dimensions(mm)

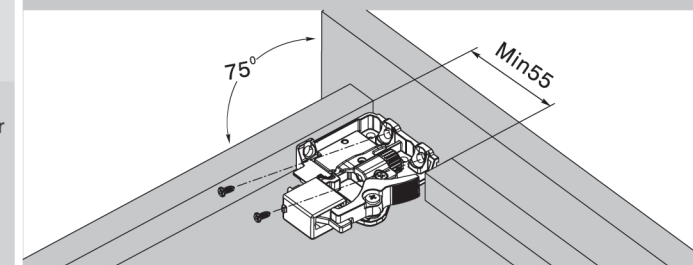
LW=Internal Cabinet Width



Drawer Back Preparation(mm)



Locking Device Installation(mm)

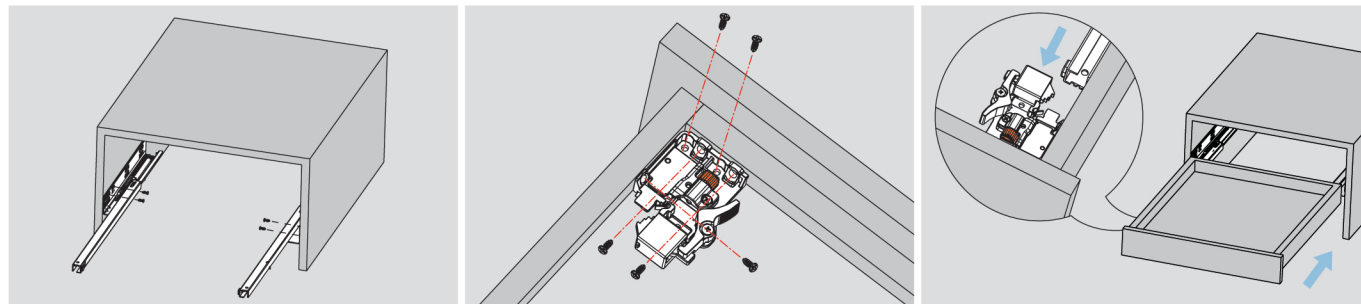


ASSEMBLY AND ADJUSTMENT

Assembly and Adjustment
(for D-MOTION Partial Extension Undermount Slides)



Drawer Assembly with Locking Device

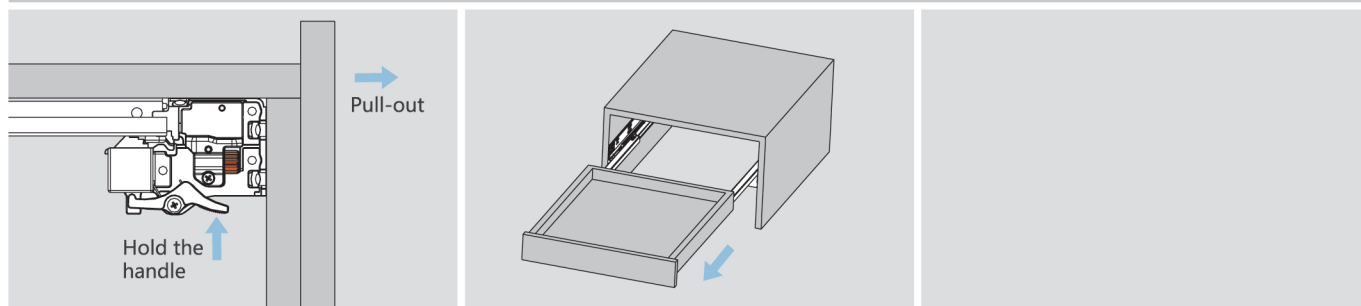


Fix the slide onto the cabinet.

Fix the locking device onto the drawer bottom.

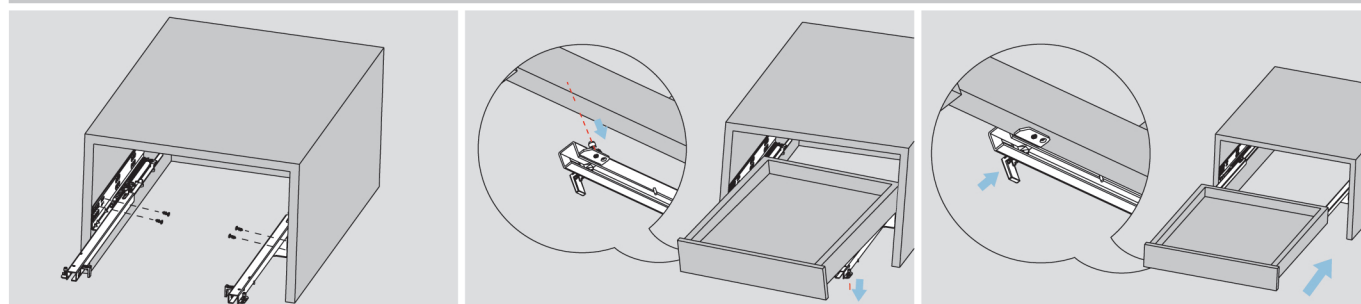
Lay the drawer bottom onto the slide then push the drawer into the cabinet.

Removal with Locking Device



For removal, hold the handle and pull out the drawer.

Drawer Assembly with Peg

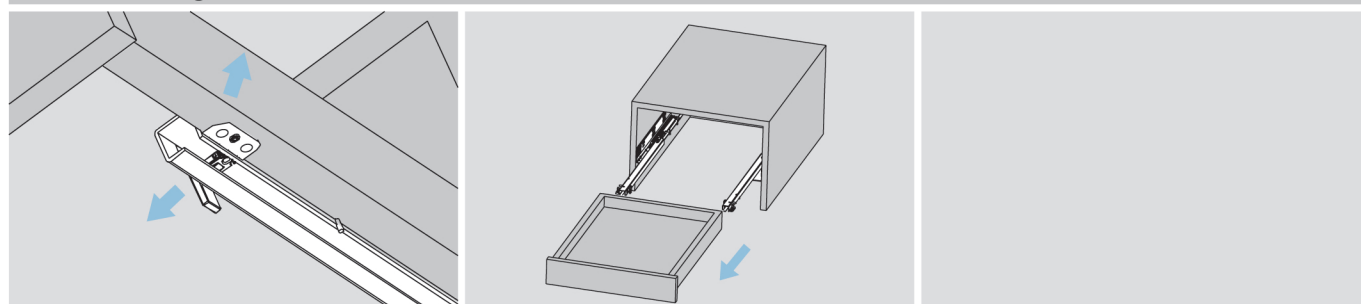


Fix the slide onto the cabinet.

Pull out the drawer member of the slide from the cabinet, lay the drawer onto the slide.

Press the locking pin into the drawer side to lock the position of the drawer.

Removal with Peg



For removal, pull out the locking pin from the drawer side. Lift the drawer and pull it out from the cabinet.

We are continuously developing new products.
For updated product information, please log onto www.dtc.dtc.com