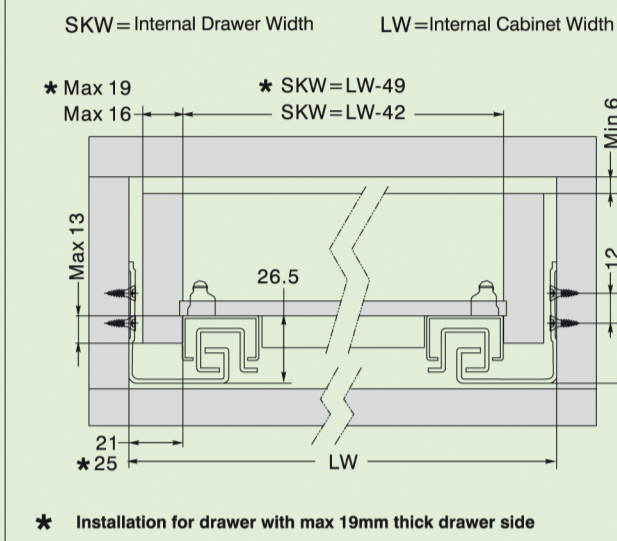


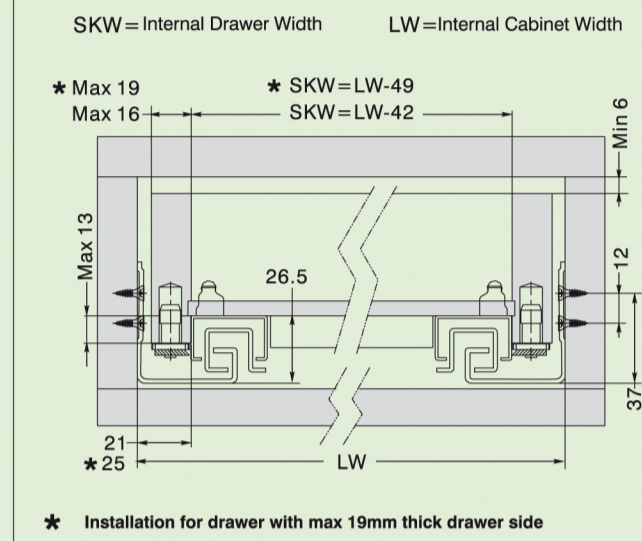
A4(210\*285mm)

## Full extension undermount slides installation

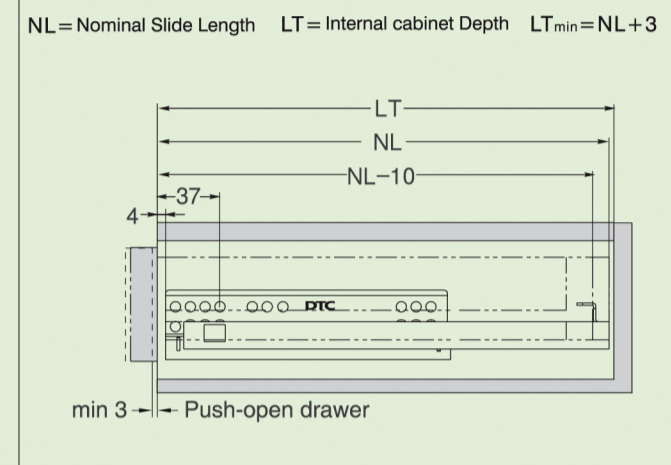
### Drawer installation dimensions(with locking device)



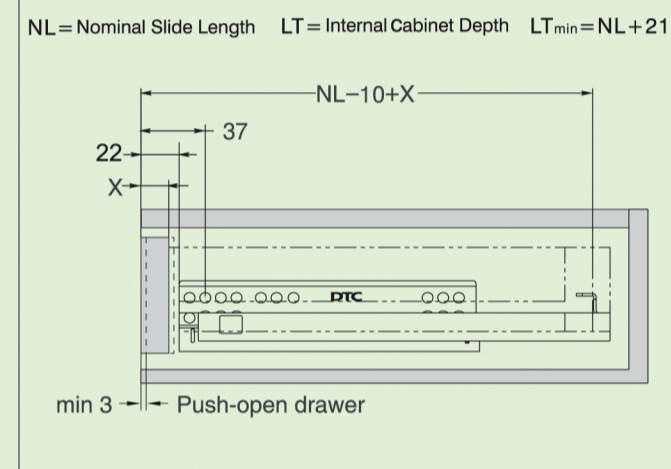
### Drawer installation dimensions(with peg)



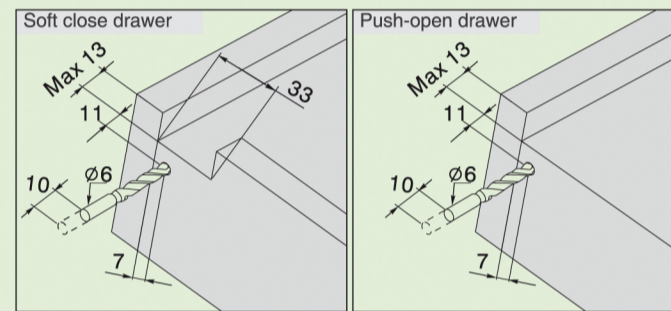
### Drawer installation dimensions



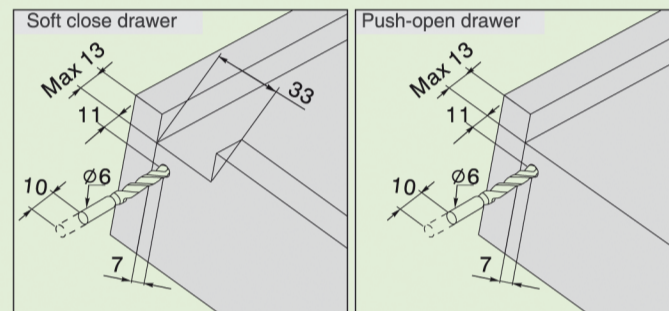
### Inner drawer installation dimensions



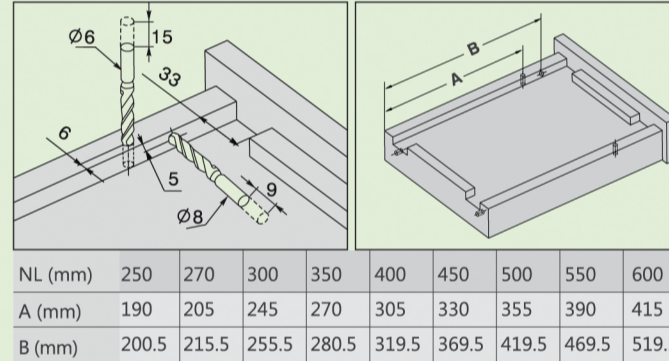
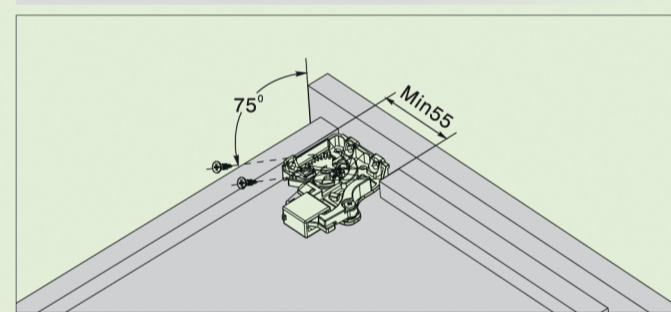
### Drawer back preparation(with locking device)



### Drawer back preparation(with peg)



### Locking device installation



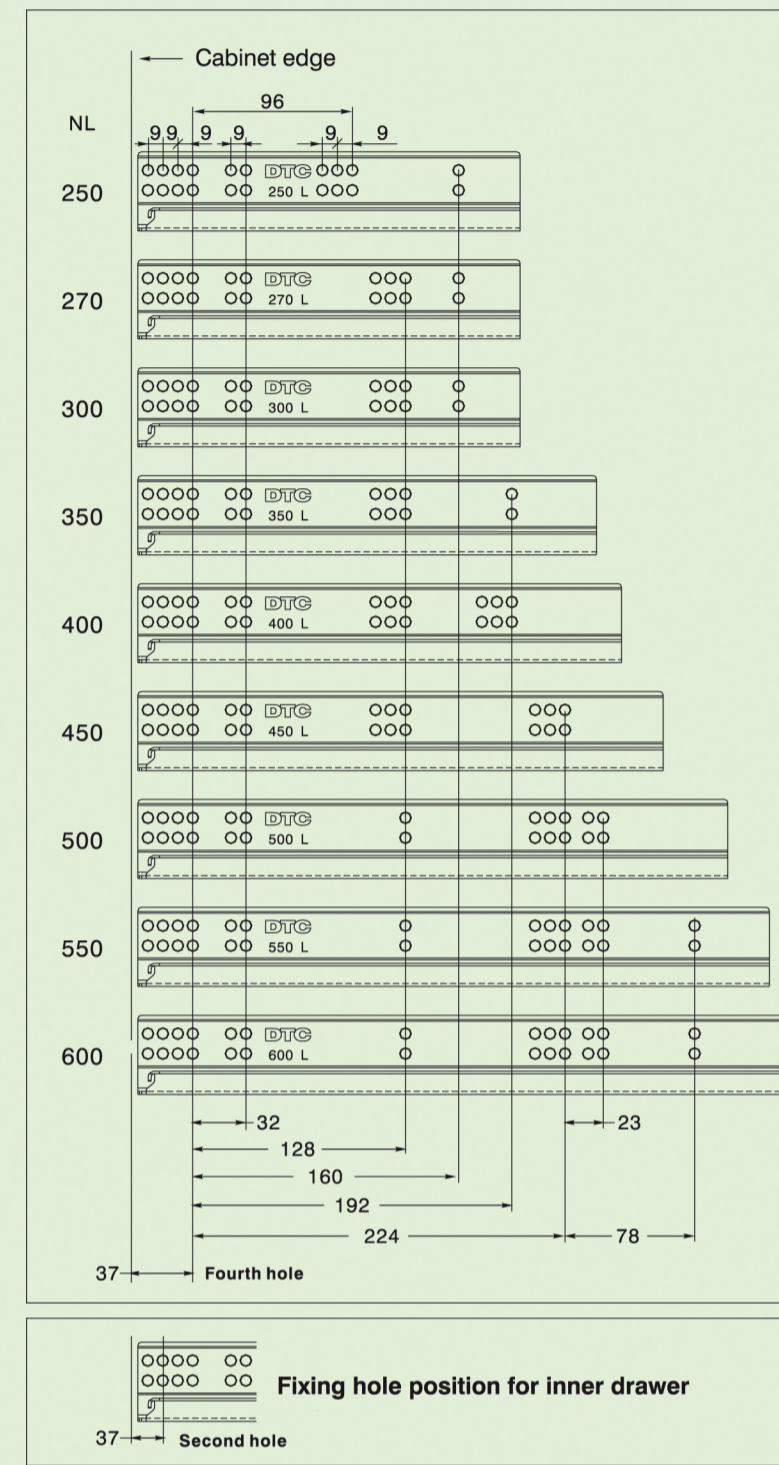
NL (mm)	250	270	300	350	400	450	500	550	600
A (mm)	190	205	245	270	305	330	355	390	415
B (mm)	200.5	215.5	255.5	280.5	319.5	369.5	419.5	469.5	519.5

**DTC**  
Global Quality Benchmark

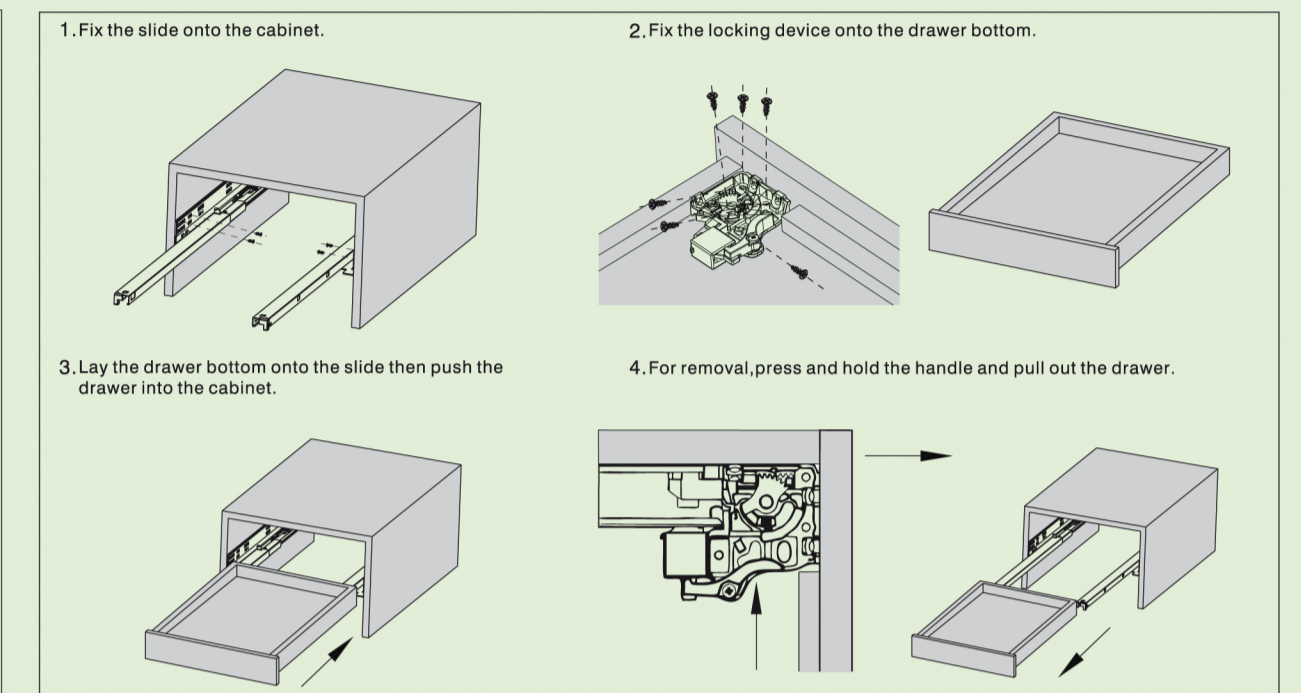
Website: [www.dtcctc.com](http://www.dtcctc.com)

302710001-01870

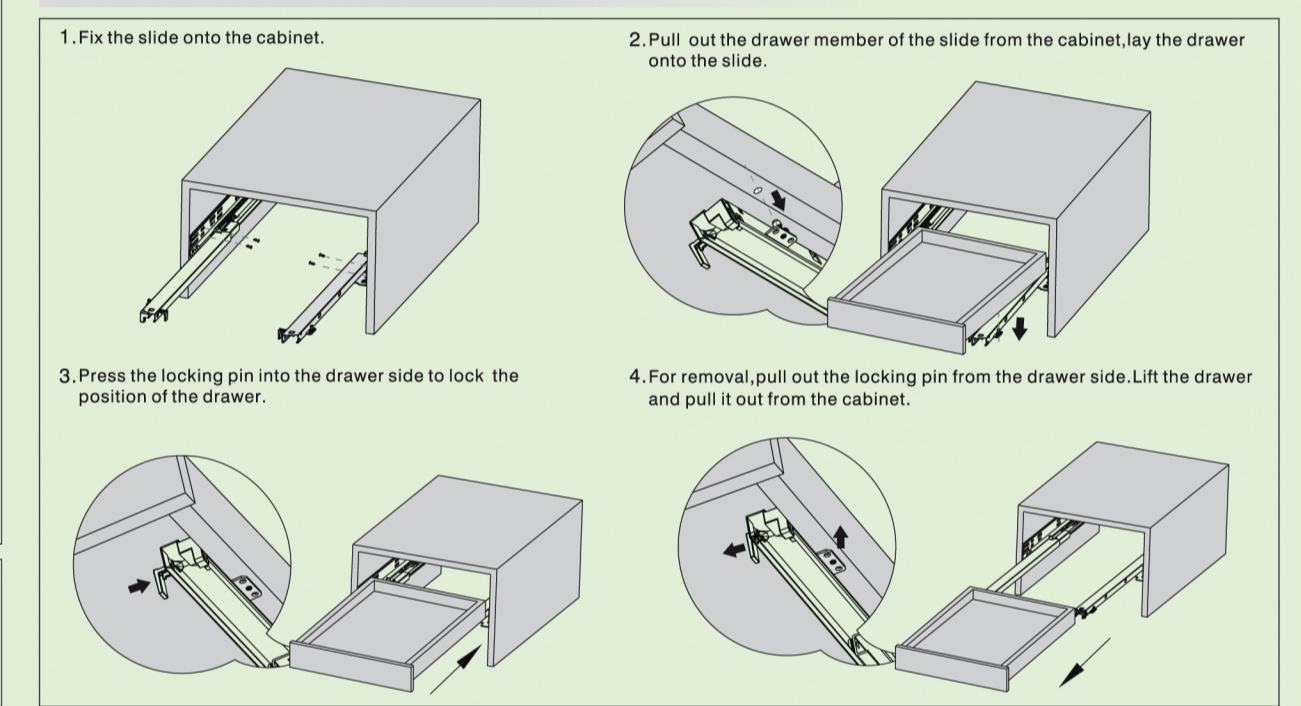
### Screw Positions of the Slides



### Drawer assembly and removal(with locking device)



### Drawer assembly and removal(with peg)



**DTC**

S10/S80/S10C/S80C/F10/F10C

S10/S80/S10C/S80C/F10/F10C