



DOUBLE-WALL DRAWER SYSTEMS

MAGIC-STAR PLUS

MAGIC-STAR PLUS

The Metal Straight-sided Slim Drawer

A Perfect Mix of Function and Elegance



- Linear slim drawer sides - a fashion look and elegant appearance
- Perfect connection between components makes a beautiful drawer



Quietness



Intelligence



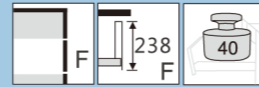
Durability



Eco-Friendliness

MAGIC-STAR PLUS

HD14 Series Straight-sided Drawer System (Super High Inner Drawer: F Height)



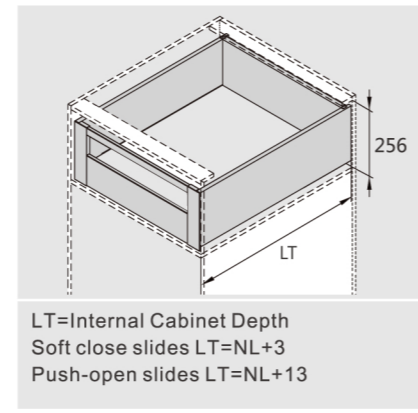
PRODUCT



DESCRIPTION

- Concealed, full extension
- Load capacity: 40kg
- Tool free assembly and removal of drawer
- Silent system guarantees smooth run without noise
- 3D adjustment: Up & down adjustment: ± 2 mm, left & right adjustment: ± 1.5 mm
- tilt adjustment: $+0.5$ mm, -2.5 mm
- Finish: Silk white(E29), Grey matt(E30)

SPACE REQUIREMENT



PLANNING

Installation Dimensions(mm)

NL=Nominal Slide Length
LT=Internal Cabinet Depth

Soft close slides LT=NL+3
Push-open slides LT=NL+13

Cabinet Configuration

| Cabinet widths/KB(mm) | Soft close drawer Stabilizer | Push-open drawer Synchronization rod | |
|-----------------------|------------------------------|--------------------------------------|----------------------|
| 300 | — | ○ | not recommended |
| 350 | — | ○ | |
| 400 | — | ○ | |
| 450 | — | ○ | |
| 500 | — | ○ | recommended |
| 600 | — | ○ | |
| 800 | ○ | ● | strongly recommended |
| 900 | ○ | ● | |
| 1000 | ○ | ● | |
| 1200 | ○ | ● | |

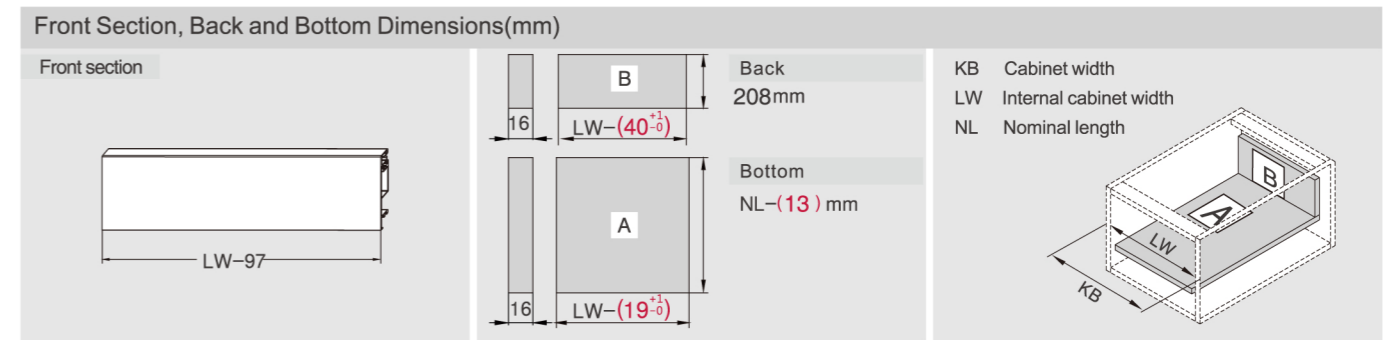
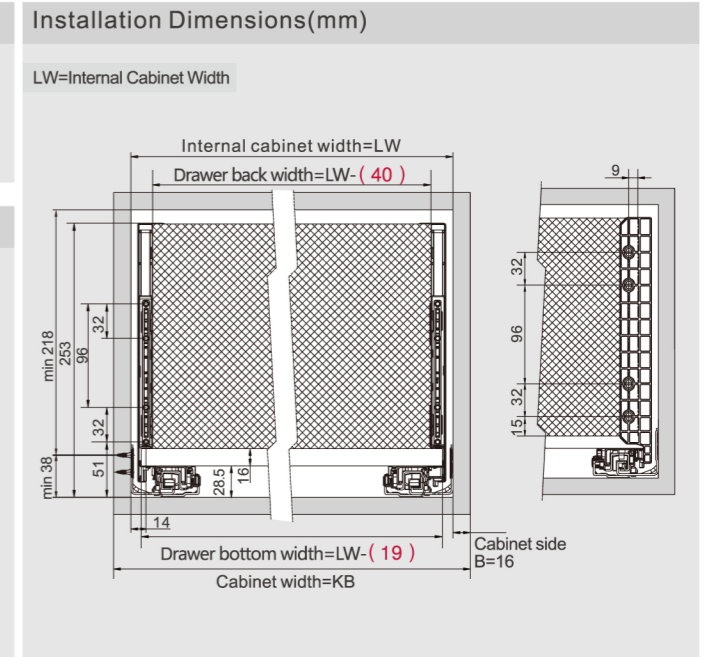
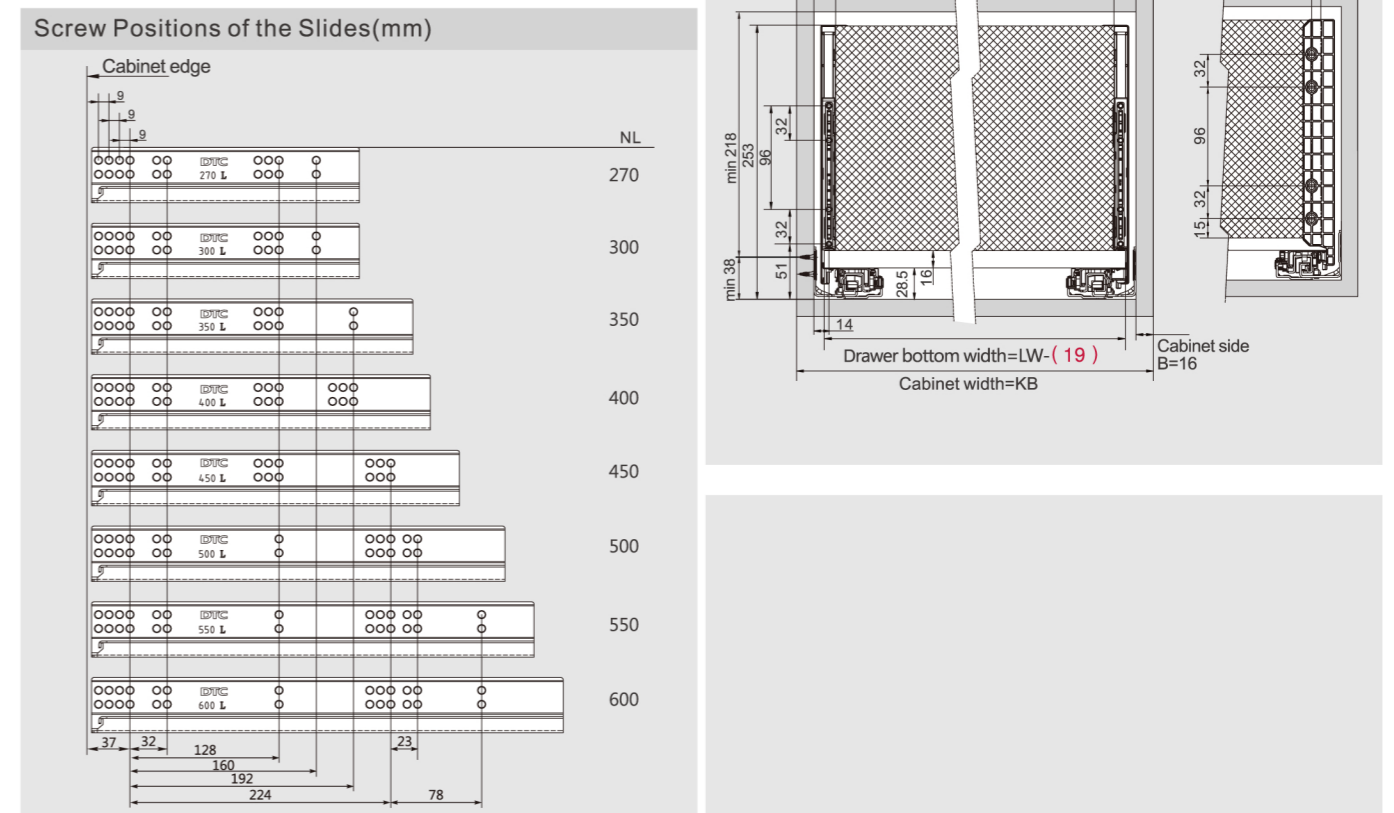
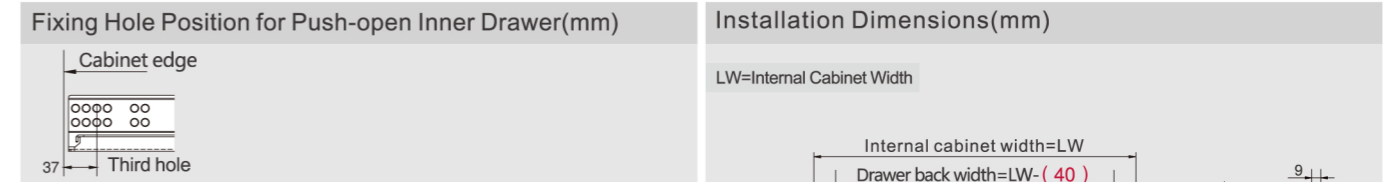
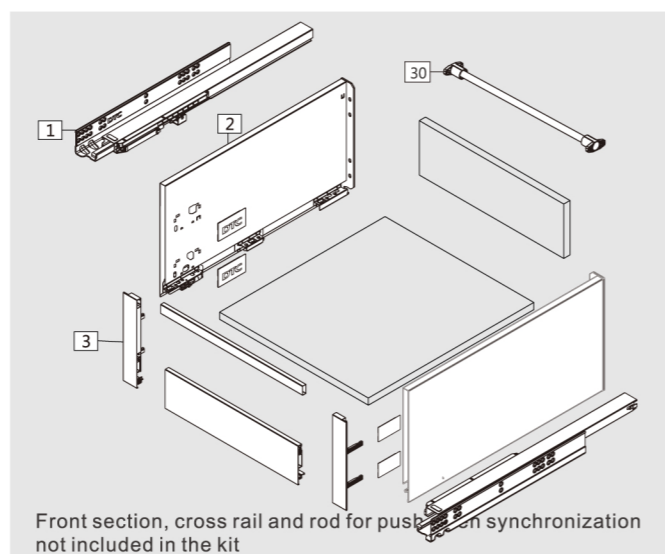
HIGH INNER DRAWER WITH SQUARE CROSS RAIL FOR WOOD DRAWER BACK

| Kit Package | | | | 1 Slides (left/right) / Industrial Package | | | | 2 Drawer Sides and Cover Caps (left/right) / Industrial Package | | | |
|---|---------------------|--------------------|---------|---|---------------------|--------------------|---------|---|----------|---------|--|
| Silk White(E29)! Grey Matt(E30)! Pre-zinc Steel(F02) | | | | Silk White(E29)! Grey Matt(E30)! Pre-zinc Steel(F02) | | | | Silk White(E29)! Grey Matt(E30)! Pre-zinc Steel(F02) | | | |
| NL | Soft Close item No. | Push-open item No. | Set/ctn | NL | Soft Close item No. | Push-open item No. | Set/ctn | NL | Item No. | Set/ctn | |
| 270mm | HD14270Q18 | HD44270Q18 | 1 | 270mm | HD10270H | HD40270H | 5 | 270mm | HE142708 | 5 | |
| 300mm | HD14300Q18 | HD44300Q18 | 1 | 300mm | HD10300H | HD40300H | 5 | 300mm | HE143008 | 5 | |
| 350mm | HD14350Q18 | HD44350Q18 | 1 | 350mm | HD10350H | HD40350H | 5 | 350mm | HE143508 | 5 | |
| 400mm | HD14400Q18 | HD44400Q18 | 1 | 400mm | HD10400H | HD40400H | 5 | 400mm | HE144008 | 5 | |
| 450mm | HD14450Q18 | HD44450Q18 | 1 | 450mm | HD10450H | HD40450H | 5 | 450mm | HE144508 | 5 | |
| 500mm | HD14500Q18 | HD44500Q18 | 1 | 500mm | HD10500H | HD40500H | 5 | 500mm | HE145008 | 5 | |
| 550mm | HD14550Q18 | HD44550Q18 | 1 | 550mm | HD10550H | HD40550H | 5 | 550mm | HE145508 | 5 | |
| 600mm | HD14600Q18 | HD44600Q18 | 1 | 600mm | HD10600H | HD40600H | 5 | 600mm | HE146008 | 5 | |

| 3 Front Fixing-brackets (left/right) / Industrial Package | | | | 7 Square Cross Rail / Industrial Package | | | |
|---|---------|----------|---------|--|---------|----------|---------|
| White(H03)! Dark Grey(H11) | | | | Silk White(E29)! Grey Matt(E30) | | | |
| Item No. | Set/ctn | Item No. | Set/ctn | Item No. | Set/ctn | Item No. | Set/ctn |
| HD14014 | 60 | HT10071 | 60 | HT10071 | 60 | HT10071 | 60 |

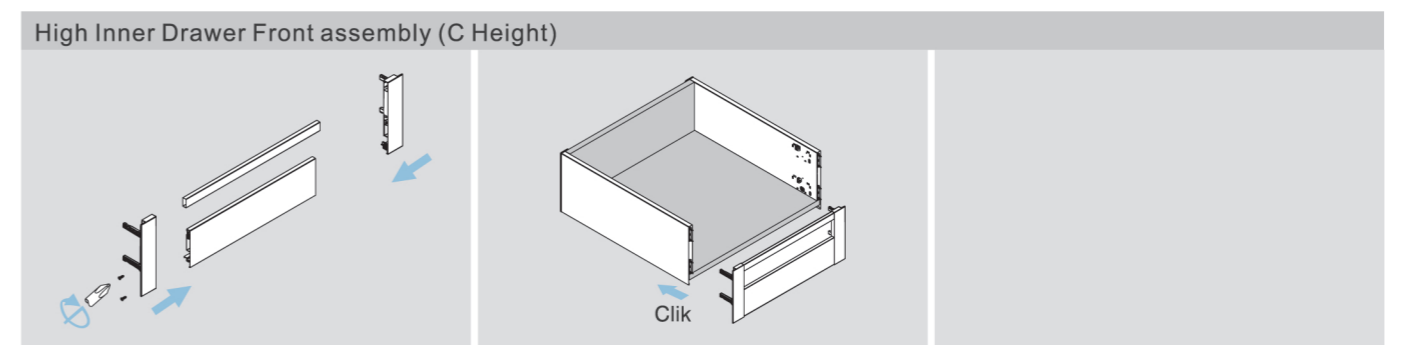
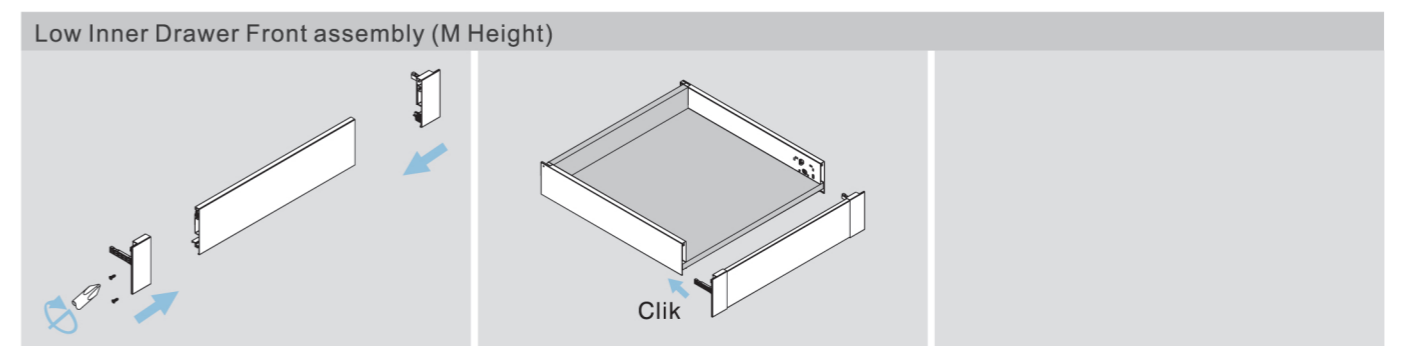
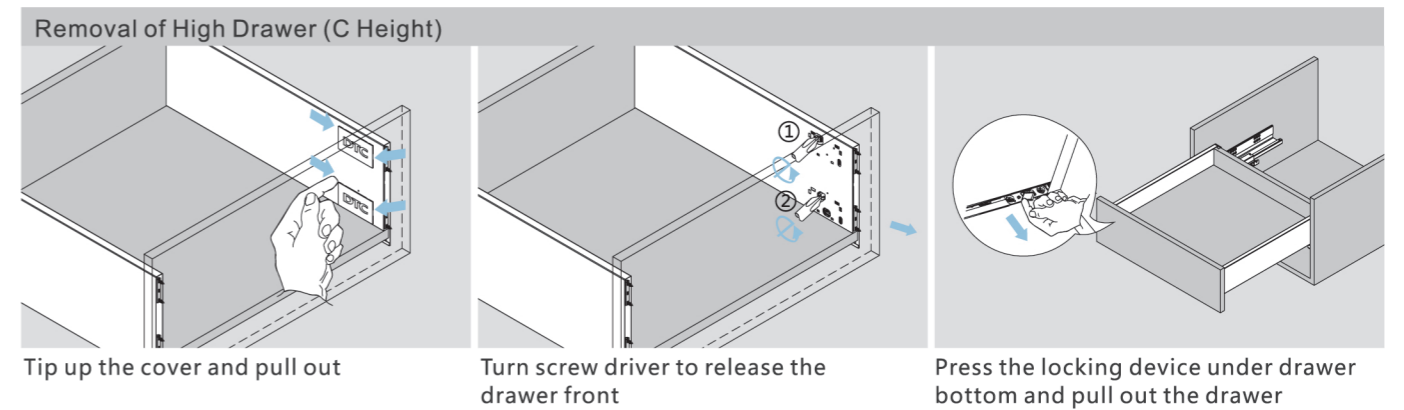
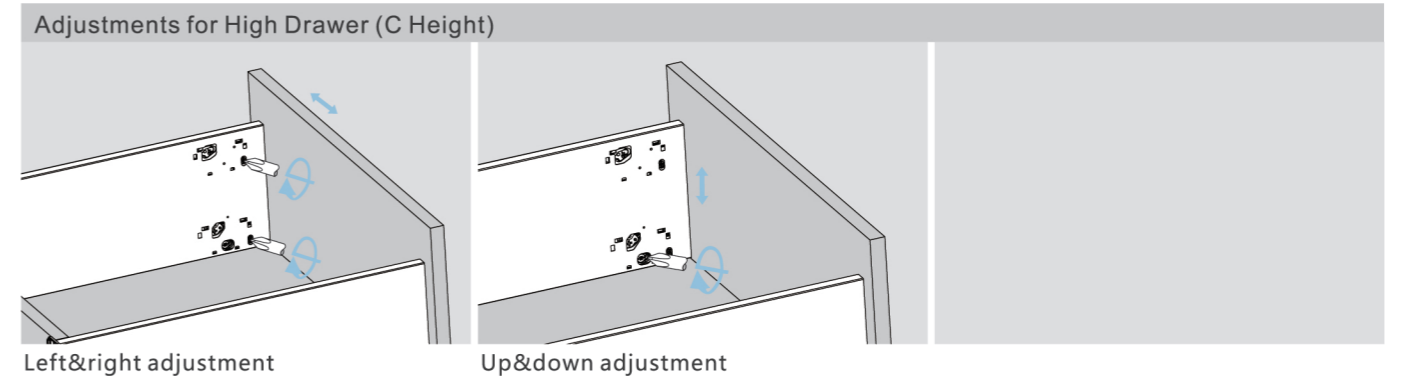
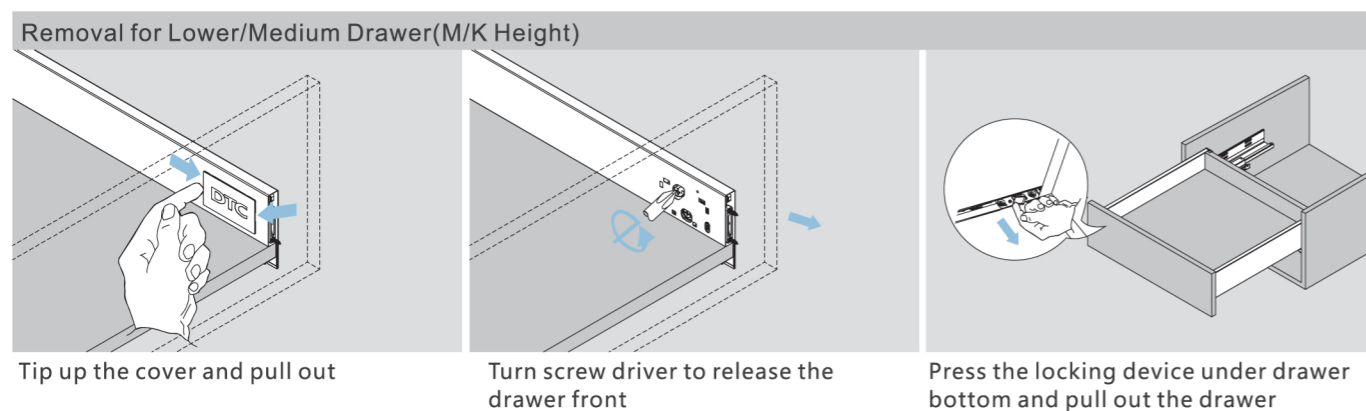
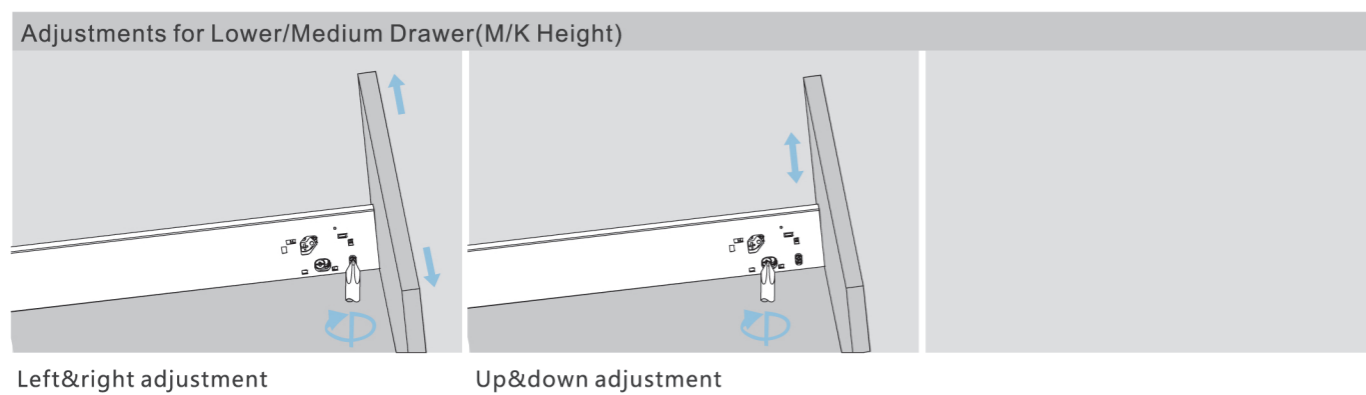
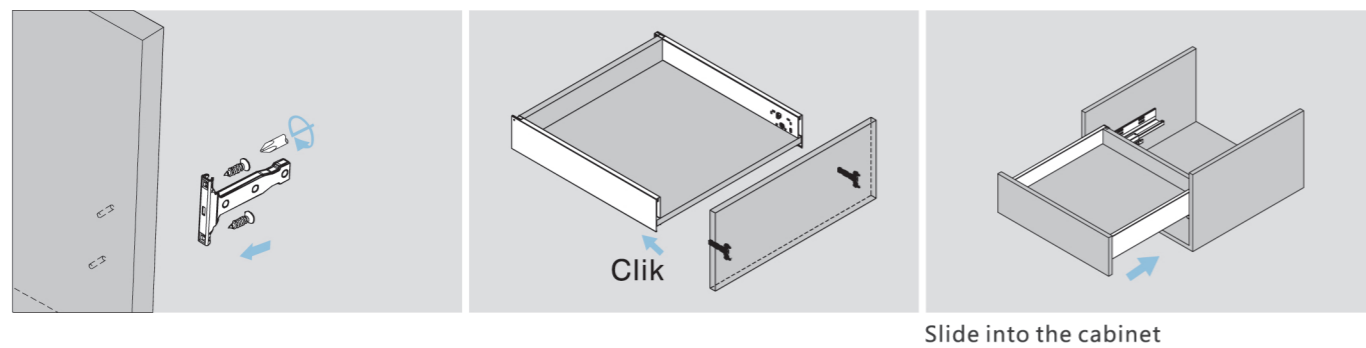
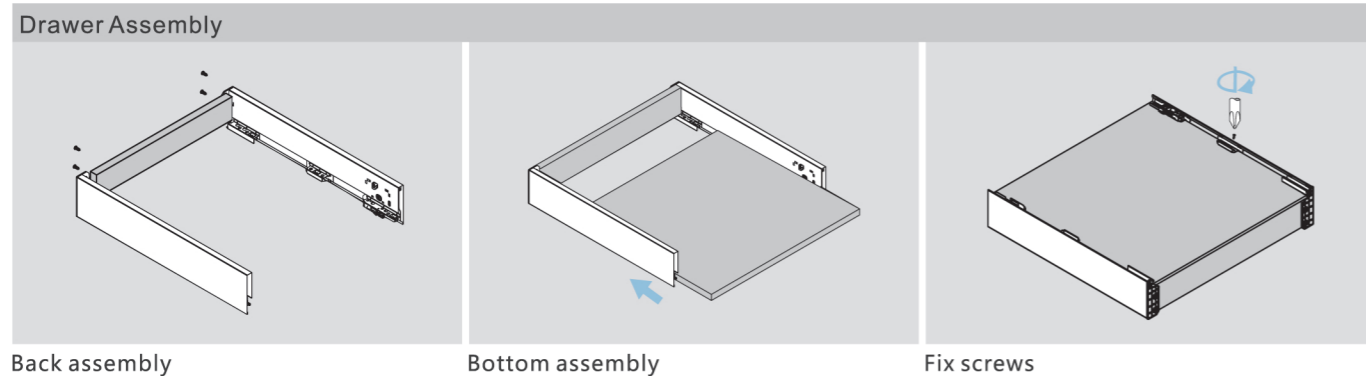
| 5 Front Section / Industrial Package | | | |
|--|---------|----------|---------|
| Size:1100mm.Cutting:Internal cabinet width LW-97 | | | |
| Silk White(E29)! Grey Matt(E30) | | | |
| Item No. | Set/ctn | Item No. | Set/ctn |
| HT10022 | 20 | HT10022 | 20 |

| 30 Rod for Push-open Synchronization / Industrial Package | | | |
|---|---------|----------|---------|
| Size:1100mm.Cutting:Internal cabinet width LW-172 for Nominal Side Length: 350mm, 400mm, 450mm, 500mm, 550mm, 600mm | | | |
| Item No. | Set/ctn | Item No. | Set/ctn |
| HT0FH02 | 60 | HT0FH02 | 60 |



ASSEMBLY AND ADJUSTMENT

Assembly and Adjustment(for MAGIC-STAR PLUS)



METAL DRAWER BACKS

Metal Drawer Backs(For MAGIC-STAR PLUS)



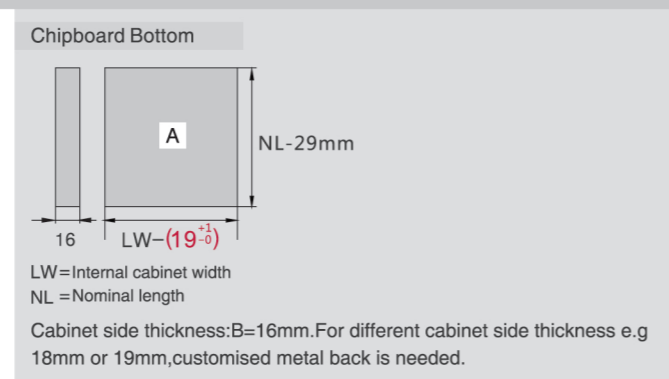
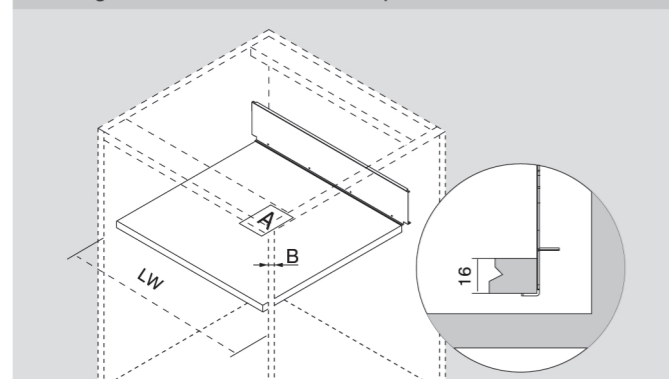
ORDER INFORMATION

| Low Drawer: M Height | | |
|--|-------------|----|
| Silk White(E29)! Grey Matt(E30)! Cabinet width(mm) Item No. Pcs/ctn | | |
| 300 | HE11034300 | 20 |
| 325 | HE11034325 | 20 |
| 350 | HE11034350 | 20 |
| 375 | HE11034375 | 20 |
| 400 | HE11034400 | 20 |
| 450 | HE11034450 | 20 |
| 500 | HE11034500 | 20 |
| 600 | HE11034600 | 20 |
| 700 | HE11034700 | 20 |
| 800 | HE11034800 | 20 |
| 900 | HE11034900 | 20 |
| 1000 | HE110341000 | 20 |
| 1200 | HE110341200 | 20 |

| Medium Drawer: K Height | | |
|--|-------------|----|
| Silk White(E29)! Grey Matt(E30)! Cabinet width(mm) Item No. Pcs/ctn | | |
| 300 | HE12034300 | 20 |
| 325 | HE12034325 | 20 |
| 350 | HE12034350 | 20 |
| 375 | HE12034375 | 20 |
| 400 | HE12034400 | 20 |
| 450 | HE12034450 | 20 |
| 500 | HE12034500 | 20 |
| 600 | HE12034600 | 20 |
| 700 | HE12034700 | 20 |
| 800 | HE12034800 | 20 |
| 900 | HE12034900 | 20 |
| 1000 | HE120341000 | 20 |
| 1200 | HE120341200 | 20 |

| High Drawer: C Height | | |
|--|-------------|----|
| Silk White(E29)! Grey Matt(E30)! Cabinet width(mm) Item No. Pcs/ctn | | |
| 300 | HE13034300 | 20 |
| 325 | HE13034325 | 20 |
| 350 | HE13034350 | 20 |
| 375 | HE13034375 | 20 |
| 400 | HE13034400 | 20 |
| 450 | HE13034450 | 20 |
| 500 | HE13034500 | 20 |
| 600 | HE13034600 | 20 |
| 700 | HE13034700 | 20 |
| 800 | HE13034800 | 20 |
| 900 | HE13034900 | 20 |
| 1000 | HE130341000 | 20 |
| 1200 | HE130341200 | 20 |

Cutting Dimensions for 16mm Chipboard Bottom



DIVIDING ACCESSORIES

Dividing Accessories (for MAGIC-PRO, DRAGON-PRO, MAGIC-STAR PLUS)

ORDER INFORMATION

| Applicable with Metal Drawer Side | |
|-----------------------------------|--|
| 3 | Divider/Industrial Package White(H03)! Grey(H11) Item No. HT10074 Set/ctn 60 |
| 4 | Square Cross Rail Connector/Industrial Package White(H03)! Grey(H11) Item No. HT10072 Set/ctn 120 |
| 5 | Square Cross Rail/Industrial Package Silk White(E29)! Grey Matt(E30) Item No. HT10071 Set/ctn 20 (Size:1100mm Cutting:Internal Cabinet width LW-72)Applicable with MAGIC-PRO, MAGIC-STAR (Size:1100mm Cutting:Internal Cabinet width LW-74)Applicable with DRAGON-PRO |

| Applicable with Glass-box Drawer Side | |
|---------------------------------------|--|
| 3 | Divider/Industrial Package White(H03)! Grey(H11) Item No. HT10074 Set/ctn 60 |
| 6 | Square Cross Rail Connector/Industrial Package White(H03)! Grey(H11) Item No. HT10073 Set/ctn 120 |
| 5 | Square Cross Rail/Industrial Package Silk White(E29)! Grey Matt(E30) Item No. HT10071 Set/ctn 20 (Size:1100mm Cutting:Internal Cabinet width LW-72)Applicable with MAGIC-PRO, MAGIC-STAR (Size:1100mm Cutting:Internal Cabinet width LW-74)Applicable with DRAGON-PRO |

| Applicable with Metal Drawer Side | |
|-----------------------------------|---|
| 3 | Divider/Industrial Package White(H03)! Grey(H11) Item No. M01076 Set/ctn 60 |
| 4 | Square Cross Rail Connector/Industrial Package White(H03)! Grey(H11) Item No. HB01075 Set/ctn 120 |
| 5 | Cross Divider/Industrial Package Silk White(E29)! Grey Matt(E30) Item No. M01023 Set/ctn 20 (Size:1100mm Cutting:Internal Cabinet width LW-72)Applicable with MAGIC-PRO, MAGIC-STAR (Size:1100mm Cutting:Internal Cabinet width LW-74)Applicable with DRAGON-PRO |

| Applicable with Metal Drawer Side(Wood Back) | |
|--|---|
| 3 | Divider/Industrial Package White(H03)! Grey(H11) Item No. M01076 Set/ctn 60 |
| 4 | Square Cross Rail Connector/Industrial Package White(H03)! Grey(H11) Item No. HB01075 Set/ctn 120 |
| 5 | Cross Divider/Industrial Package Silk White(E29)! Grey Matt(E30) Item No. M01023 Set/ctn 20 (Size:1100mm Cutting:Internal Cabinet width NL-92)Applicable with MAGIC-PRO, MAGIC-STAR (Size:1100mm Cutting:Internal Cabinet width NL-87)Applicable with DRAGON-PRO |