

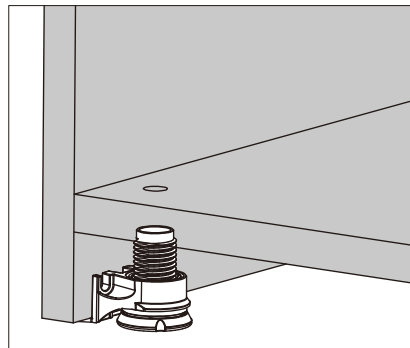
ACCESSORY

Adjustable feet



Global Quality Benchmark

Order information



Adjustable feet / Industrial package

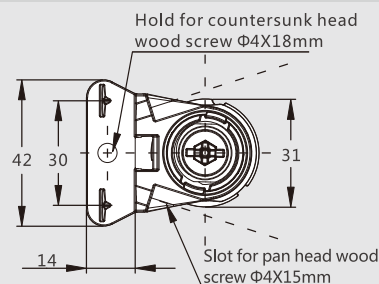
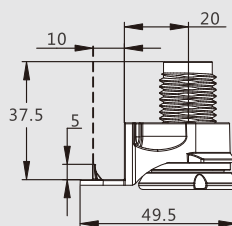
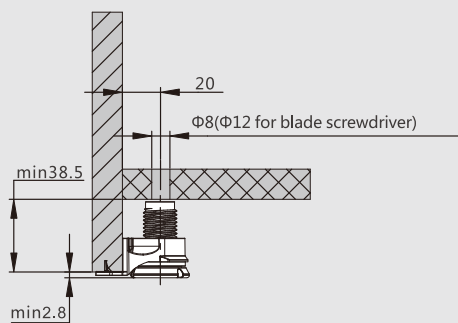
Zinc plated(B01)

Item No. 0CSTG01

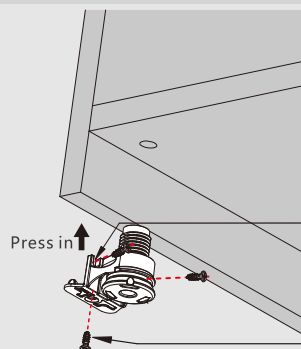
Pcs/ctn 200

Planning

Installation Dimensions (mm)



Assembly



Slot for recommended fixing 2 pan head wood screws Φ4X15mm

Recommended fixing countersunk head wood screw Φ4X18mm

Adjustment

