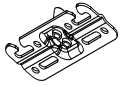
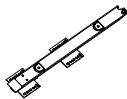



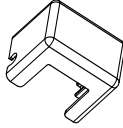





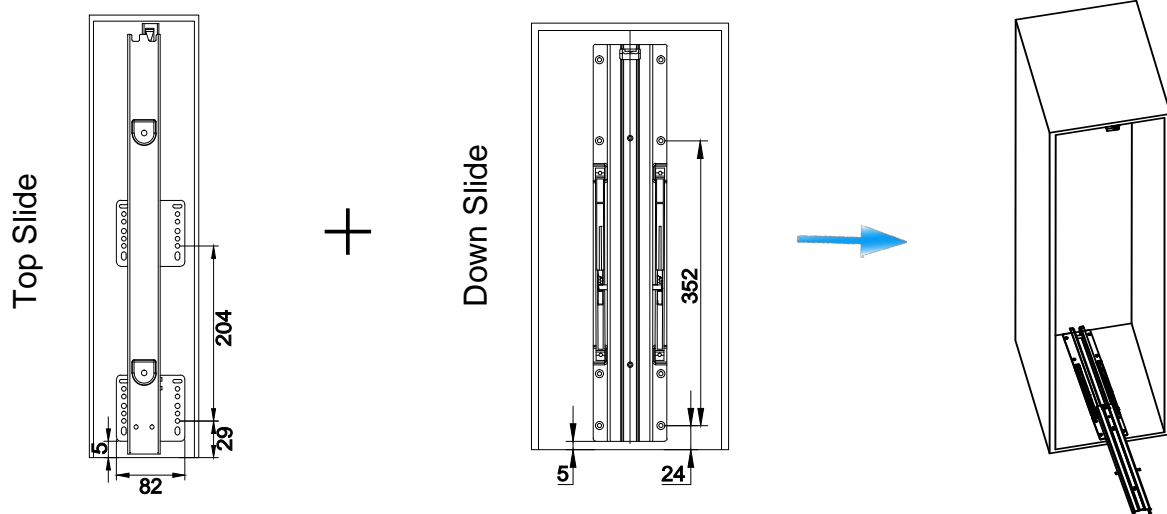
# Larder Unit

## Installation Instructions

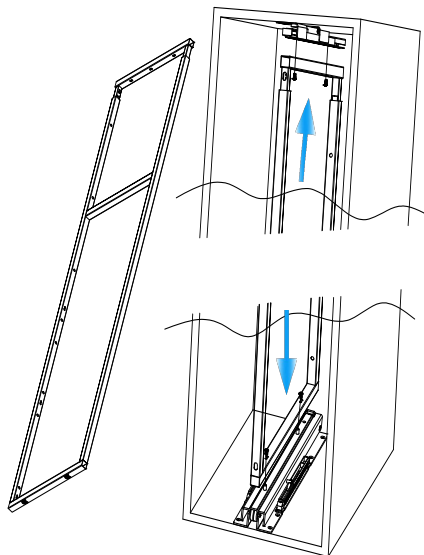
### Accessories list

Sketch Map	Name	Qty	Sketch Map	Name	Qty	Sketch Map	Name	Qty
	Locating block	6 layer:4 5 layer:4 4 layer:3 3 layer:2		Top slide	1		Short support	1
	Long support	1		Basket	6 layer:6 5 layer:5 4 layer:4 3 layer:3		Plastic cover	6 layer:12 5 layer:10 4 layer:8 3 layer:6
	Down slide	1		Band screw	8		Self-tapping screw	36

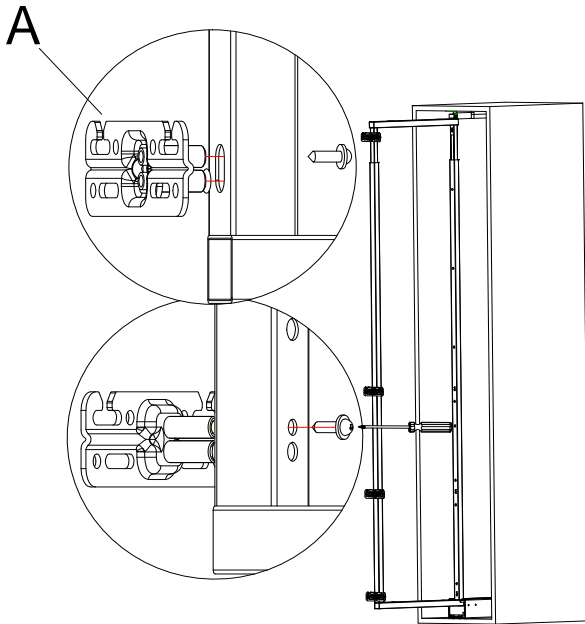
1. Put the slide in the center of cabinet, install it as following hints.



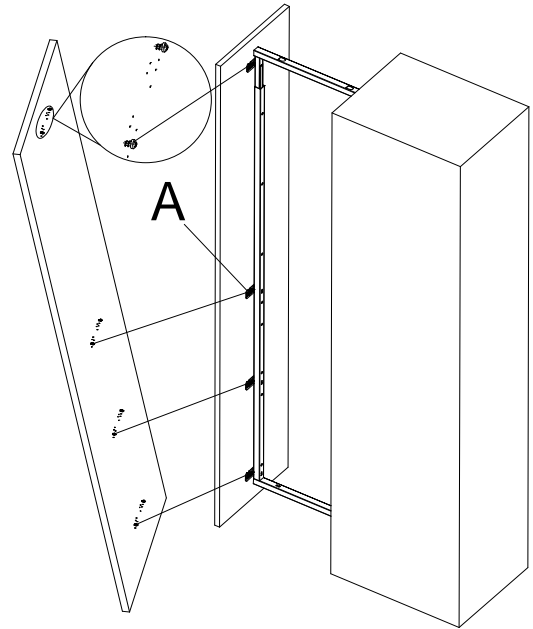
2. Insert the frame into slide, adjust the short support to combine with top slide, then screw on it.



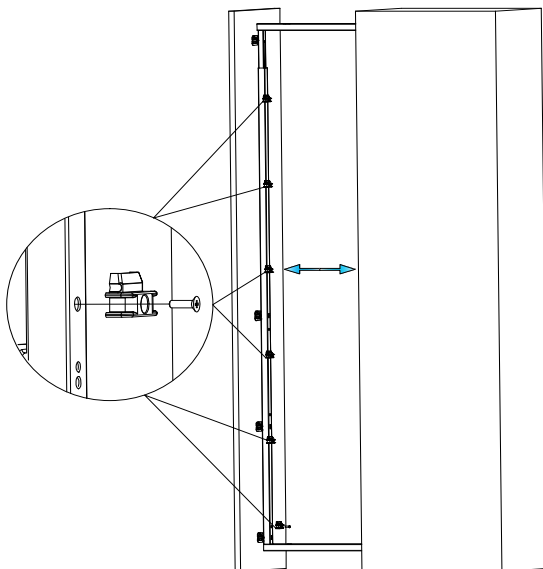
3.Insert fitting A into the big hole on frame as following.



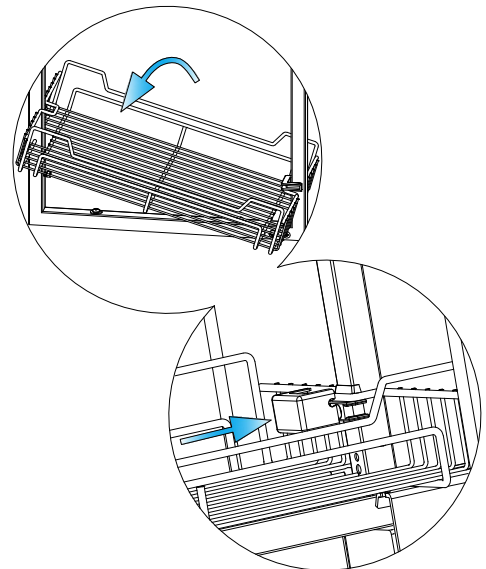
4.Insert bracket to door panel with fitting A, the screws can be adjusted to match with cabinet door.



5.Install fitting on the inside of the support frame according to the installation method shown below. Height can be adjusted for personal use.



6.Hook all the baskets,then cover with accessory. Test the slide whether it smoothly move.



Note : This product contains small screw parts and plastic bags. Keep kids away.