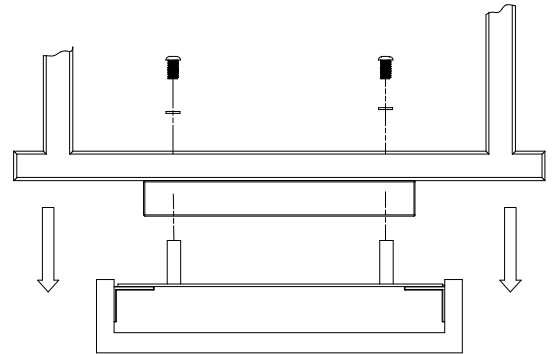
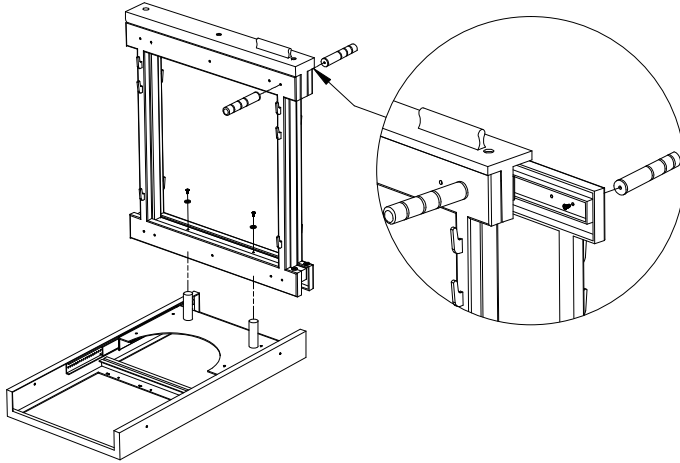


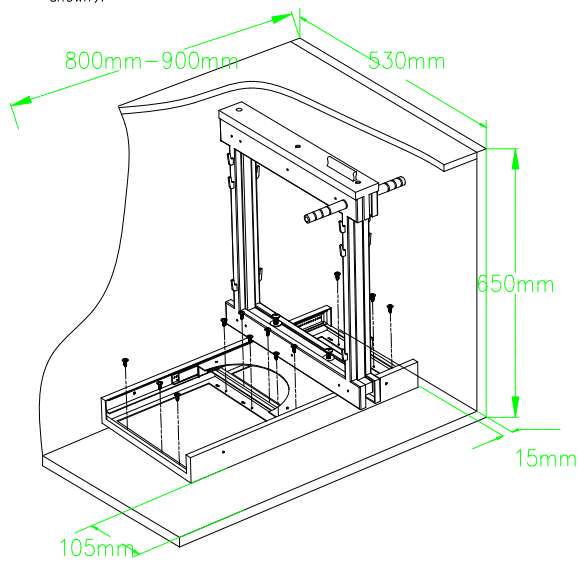
Full extension magic corner installation drawing

1

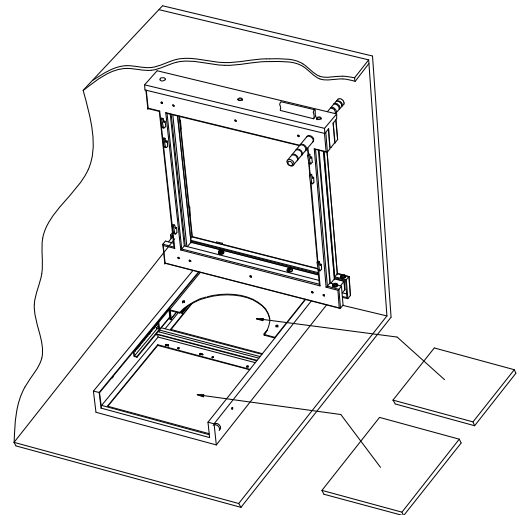
- A Screw the main body frame is connected with the base.
- B Lock the handle with the auxiliary frame by screws.



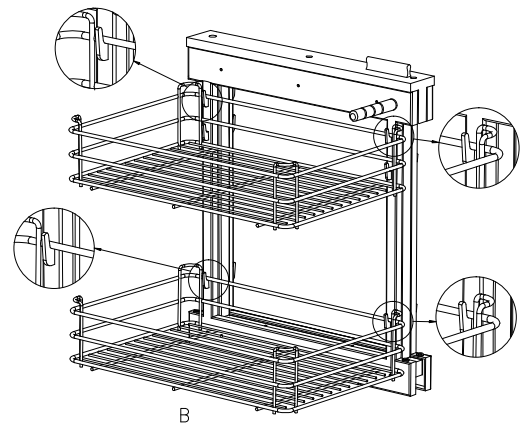
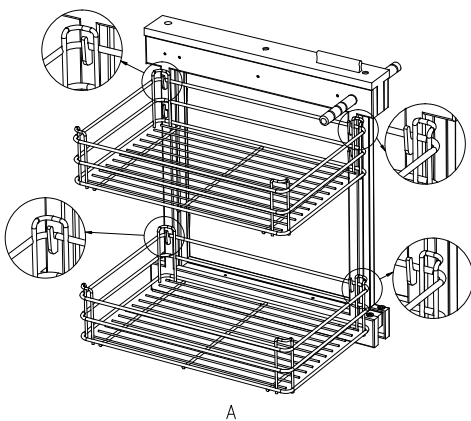
- 2 Install the main frame base into the frame according to the size (as shown).



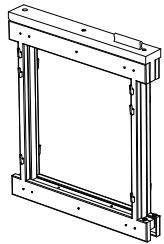
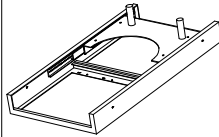
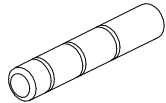
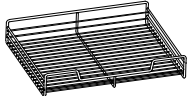
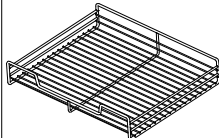
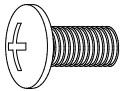


- 3 The iron cap in both ends of the base position.



- 4 Hang the hanging basket as shown in figure A or figure B to complete the installation.



Accessories list

Sketch Map	Name	Qty	Sketch Map	Name	Number	Sketch Map	Name	Qty
	Main frame	1		Base	1		Handle	2
	Small Basket	2		Big Basket	2		Head Screw	2
							Shim	2
							Screw	20

5 Movement locus.

