

B

A

C

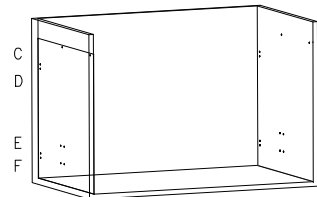
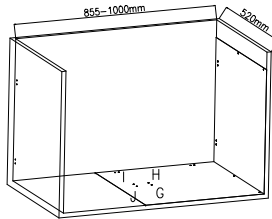
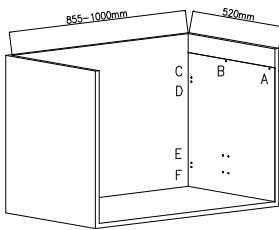
# Right – opening

## Installation of frame and bottom revolving connector

1. Uprig the paper from bottom and stand by Right door side edge . Drill at point \*A\* \*B\* \*C\* \*D\* \*E\* \*F\*.

2. Lie flat the paper near to bottom and close to Right door side edge . Drill at point \*G\* \*H\* \*I\* \*J\*.

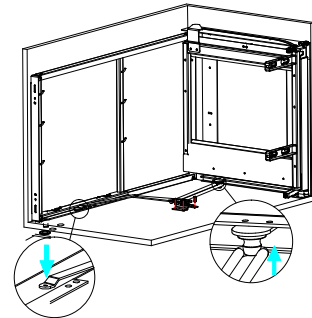
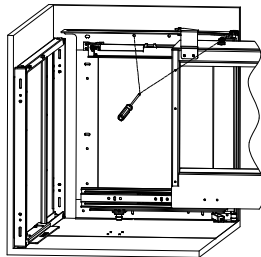
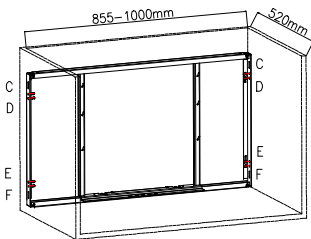
3. Upright the back of paper from cabinet bottom and stand it by Right door side edge . Drill at point \*C\* \*D\* \*E\* \*F\*.



4. Put the rear frame into cabinet,adjust it to drilled points. Screw on point \*C\* \*D\* \*E\* \*F\* at each side.

5. Put the Right sliding frame in, then screw on point \*A\* \*B\* .

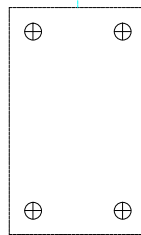
6. Place the revolving connector on bottom of cabinet . Screw on point \*C\* \*D\* \*E\* \*F\* .



Toward Right door bottom edge.

G

H



Toward outside door edge.

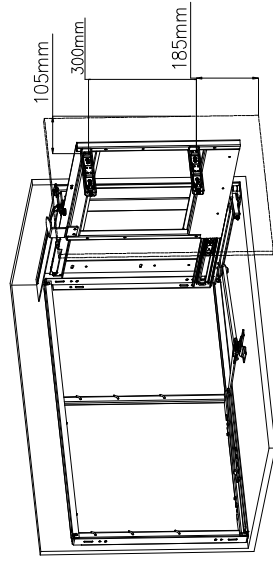
I

J

E

F

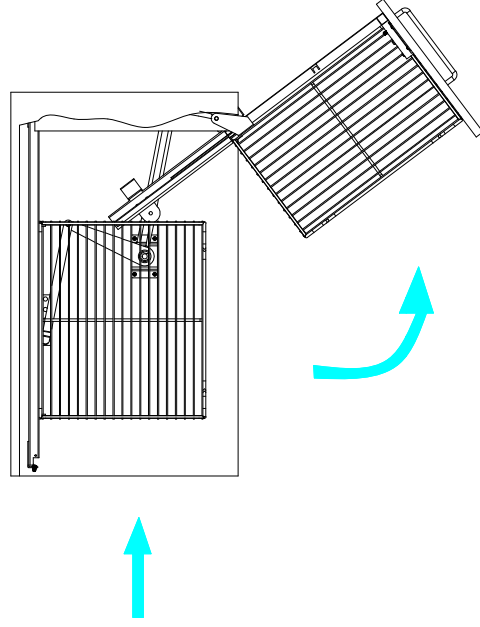
7. According to the size, install the door plate.



C ⊕

D ⊕

8. Complete the motion trajectory after installation.



E ⊕

F ⊕