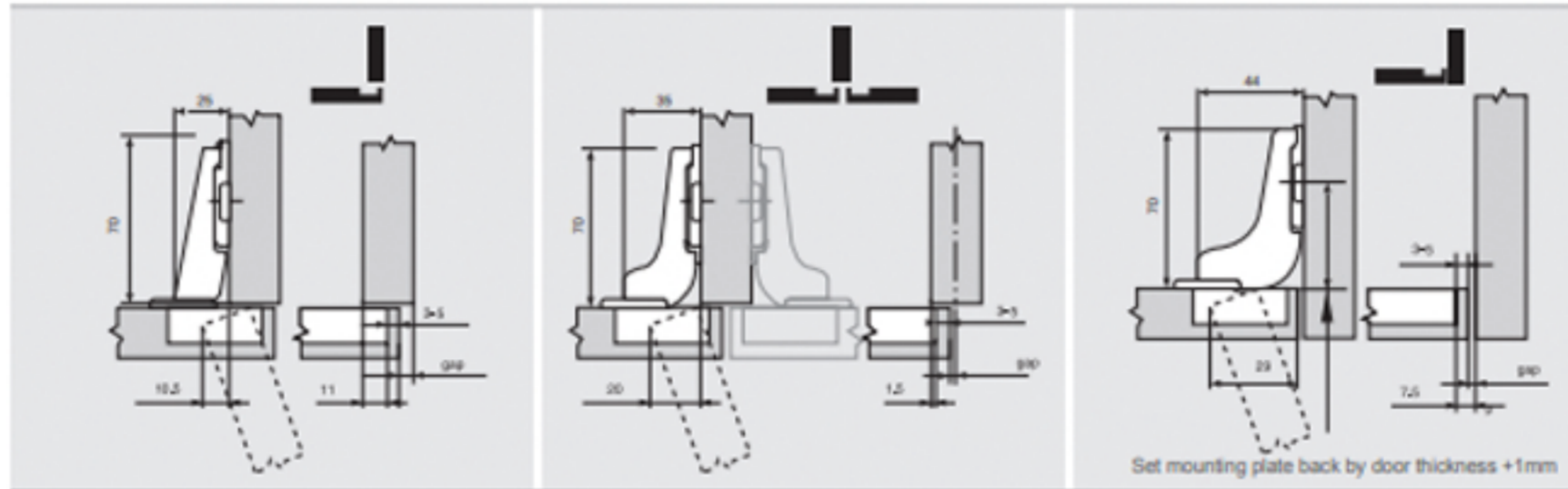


## Installation dimensions

Hinge dimensions and gap calculation based on factory setting (mounting plate spacing = 0-9mm)  
Hinge and door protrusion of full opening angle



		minimum gap requirement in mm											
drilling dist. : from 3mm	to 5mm	0.8	1.4	1.8	2.2	3.1	4.5	A trial application is recommended					
		0.8	1.3	1.5	1.9	2.7	3.8						
Door thickness in mm		16	18	19	20	22	24	26	28	29	30	31	32

The above figures are based on doors with radused edges (R=1mm)

Full Overlay											Half Overlay											Inset						
A											A											A						A : Door overlay B : Drilling distance H : Mounting plate height
11	12	13	14	15	16	17	18	19	H	1.5	2.5	3.5	4.5	5.5	6.5	7.5	8.5	9.5	H	-2.5	-1.5	-0.5	0.5	H				
				3	4	5	6	0					3	4	5	6	0				3	4	5	6	0			
B											B											B						
				3	4	5	6	3					3	4	5	6	3											
3	4	5	6						5	3	4	5	6						5									

## Installation

