

Insrtuction Menu

1. Parts list:

A 1 PcS

B 1 PcS

C 1 PcS

D 2 PcS



E 2 PcS

F 1 PcS

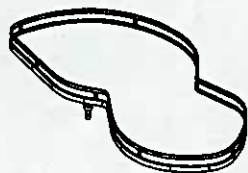
G 2 PcS



H 2 PcS

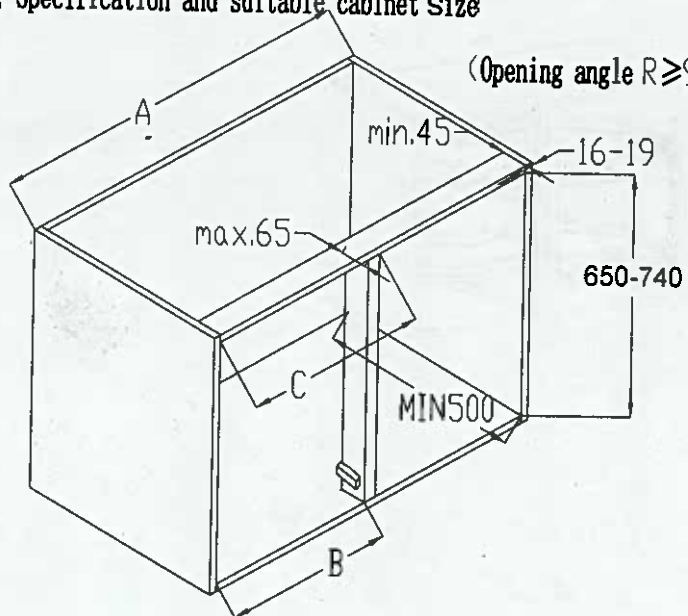
I 5 PcS

J 10 PcS



2. Specification and suitable cabinet size

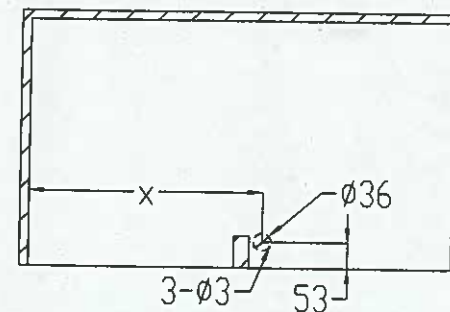
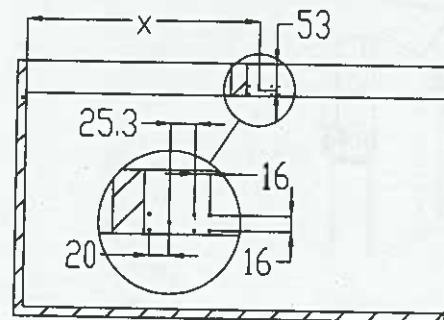
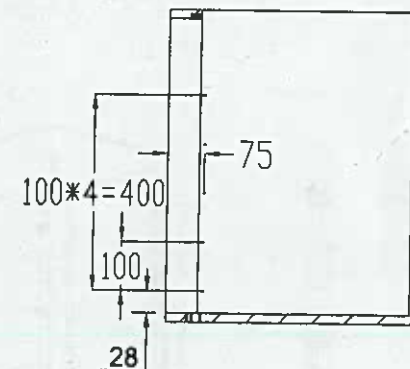
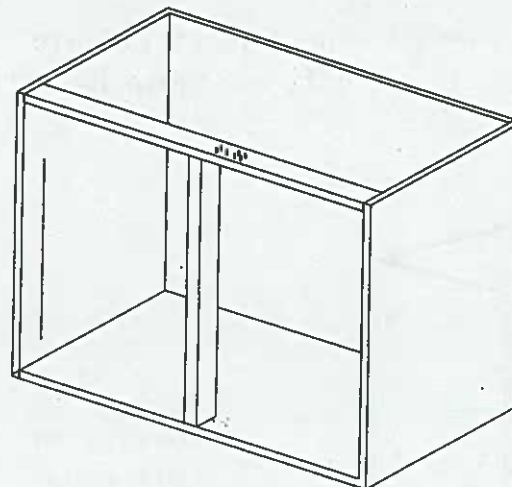
(Opening angle $R \geq 90^\circ$)



Size	A	B	C	X
Door W	450	411-418	max450	476
	500	461-468	max500	526

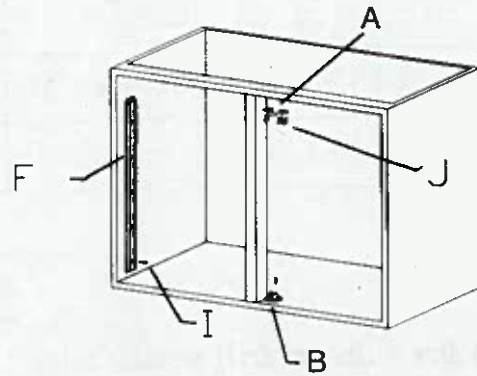
3. Installation steps:

a, According to instruction to draw a line and drill mounting holes

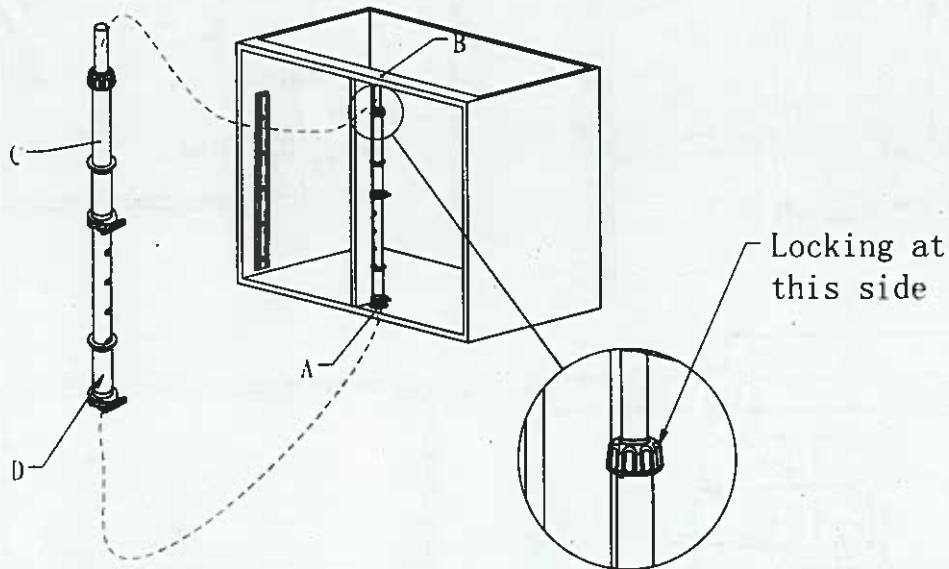


Instruction Menu

b `Fixing Parts`F`with Screw`I`:Fixing Parts`A`to cabinet bottom,while`B`to the top,with Scwer:`J`

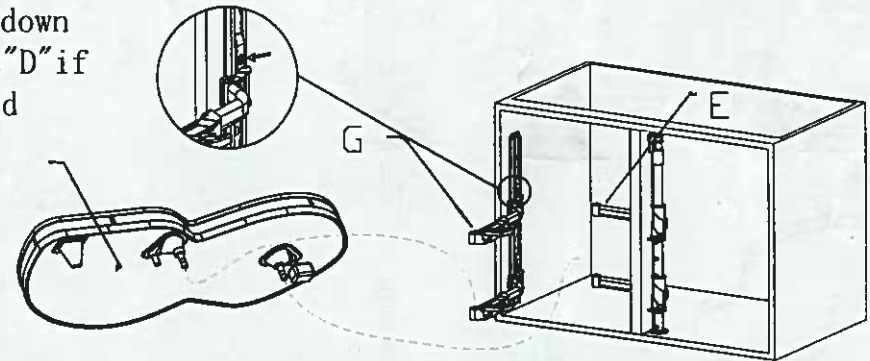


C `Parts`D`into Parts`C`then insert it into Parts`A`.Adjusting Parts`C`to suitable height and lock it



d `After Parts`G`mounted into Parts`F`,Parts`E`into Parts`C`then mount Parts`H`to`G`and`E`accordingly

G—Press here to take down Parts`D`if needed



e `Installation completed °

