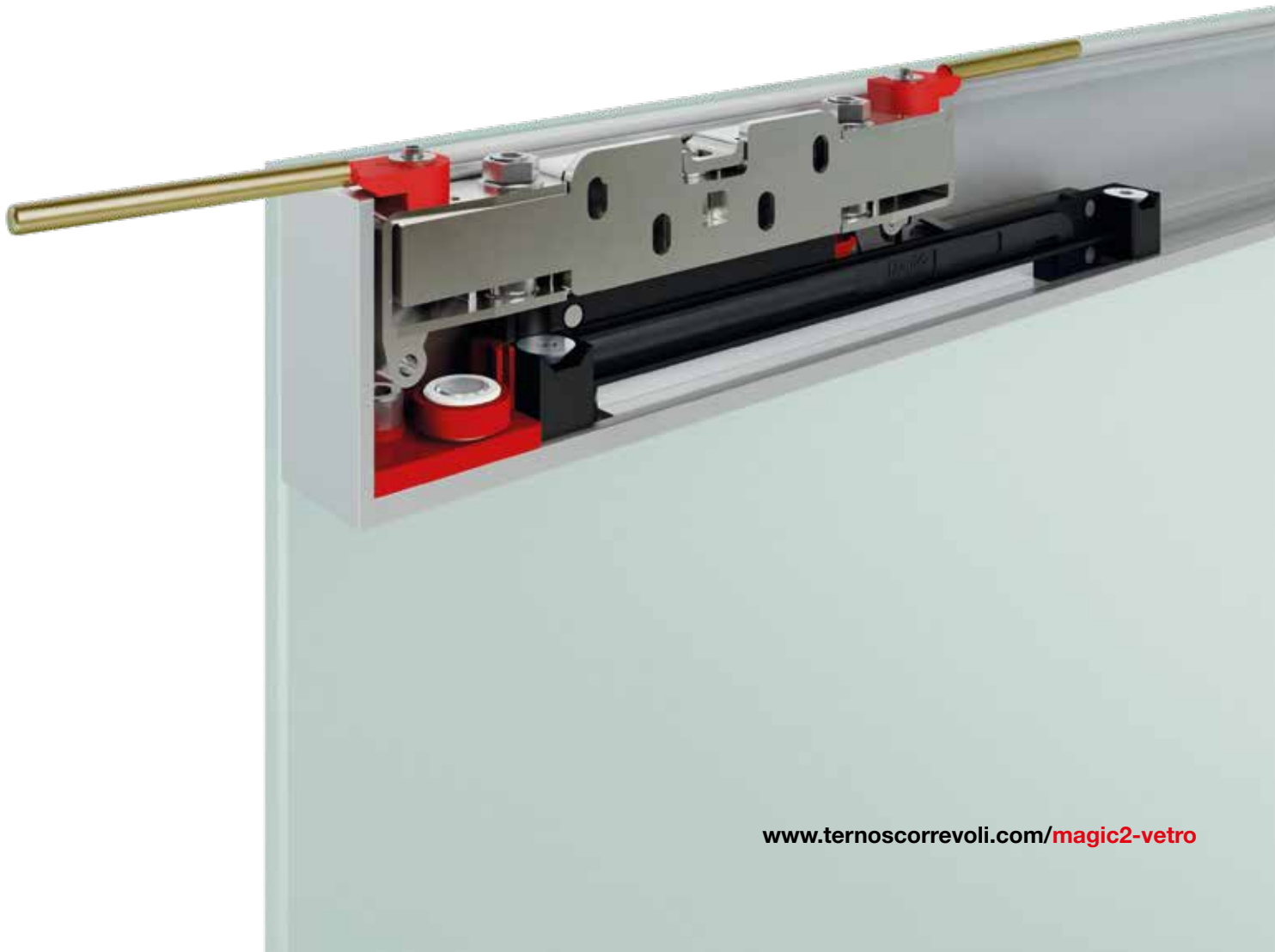




Magic²

VETRO

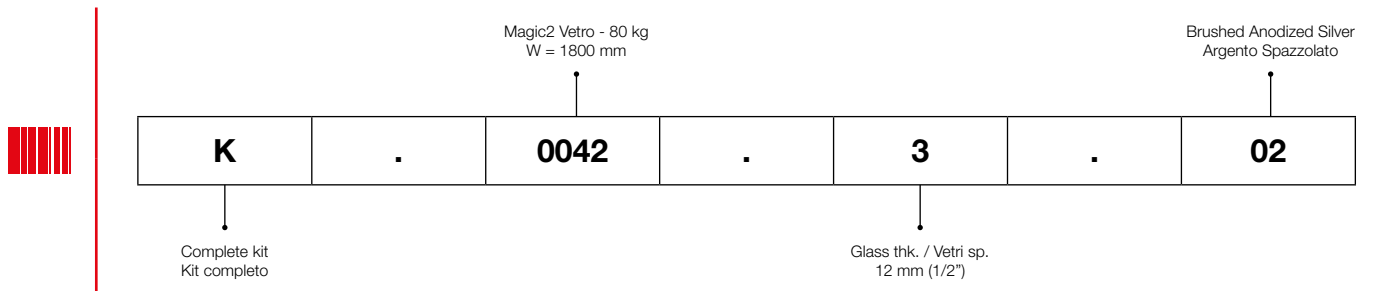
The original invisible sliding doors system
Il sistema invisibile originale per porte scorrevoli





Magic2 Vetro		COMPLETE BOX KIT / KIT COMPLETO IN SCATOLA		
K	Complete kit / Kit completo			
	.			
	0041		1100 mm - 80kg	
	0042		1800 mm - 80kg	
	.			
		1	Glass thk. / Vetri sp. 8 mm (5/16")	
		2	Glass thk. / Vetri sp. 10 mm (3/8")	
		3	Glass thk. / Vetri sp. 12 mm (1/2")	
		.		
			02	Brushed Anodized Silver / Argento Spazzolato

EXAMPLE / ESEMPIO



Magic2

VETRO

PATENTED

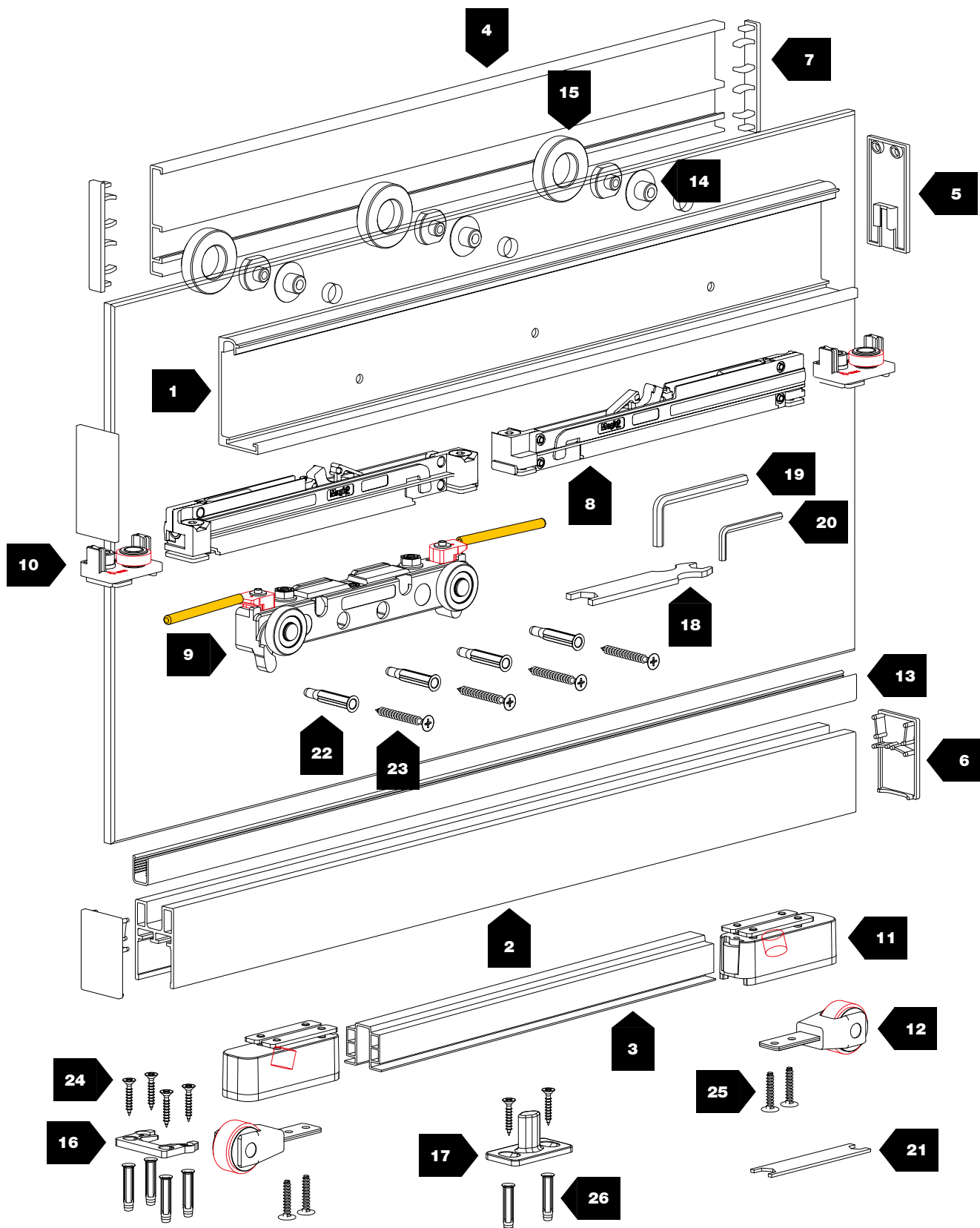
Magic2 Vetro is the new **PATENTED** and **INVISIBLE** sliding door system outside the wall with soft-closing. The system might be fixed with exposed studs or bundle and it is suitable to monolithic or laminated glasses, from 8 up to 12,7 mm of thickness.

Magic2 Vetro è l'innovativo **SISTEMA INVISIBILE BREVETTATO** per porte scorrevoli in vetro esterno muro con fermi ammortizzati. Il sistema può essere fissato tramite borchie o fascia a vista ed è adatto per vetri monolitici o stratificati, con spessore da 8 a 12,7 mm.



dressing rooms





680 ÷ 1800 mm



80 kg



10 mm

N°	Barcode	Image	kg		N°	Barcode	Image	kg	
1	2850		—		12	2857		—	
2	2863		—	Glass thk. Vetri sp. 8 mm (5/16")	13	2193		—	
	2862			Glass thk. Vetri sp. 10 mm (3/8")	14	2195		—	
	2861			Glass thk. Vetri sp. 12 mm (1/2")	15	2197/A		—	
3	2860		—		16	2859		—	
4	2198		—		17	2855		—	
5	2851/N		—		18	1025		—	
	2851/A				19	538		—	
6	2866		—		20	654		—	
7	2199		—		21	1164		—	
8	2864-80		80		22	FISCHER UX6		—	
9	2852		80		23	4,5x40		—	
10	2856		—		24	4x30		—	
11	2858		—		25	4x20		—	
					26	FISCHER SX5		—	



80 kg



N.2 Soft damper stoppers
N.2 Fermi ammortizzati



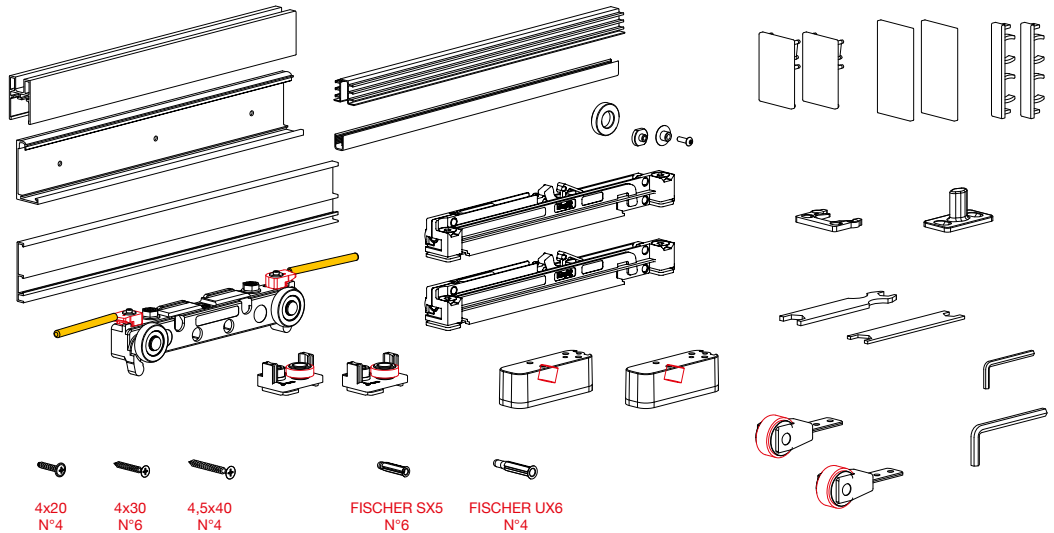
Customizable door width
Larghezza porta personalizzabile



Patented system
Sistema brevettato



Brushed Anodized Silver
Argento Spazzolato

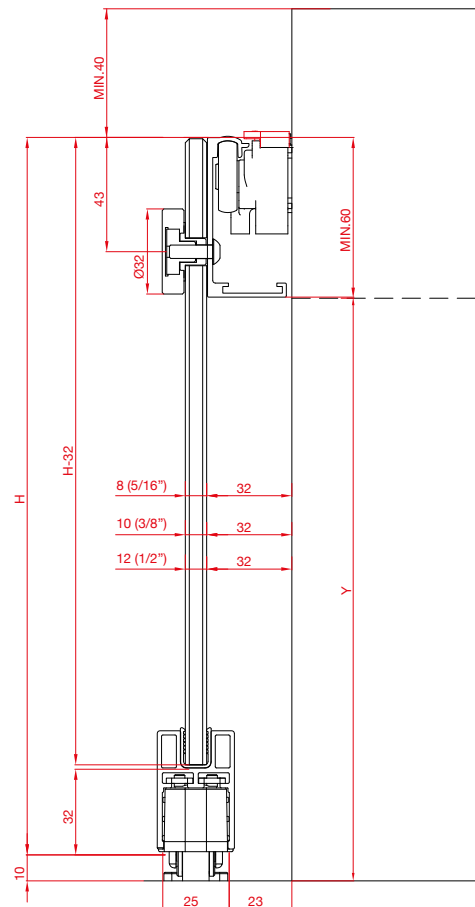
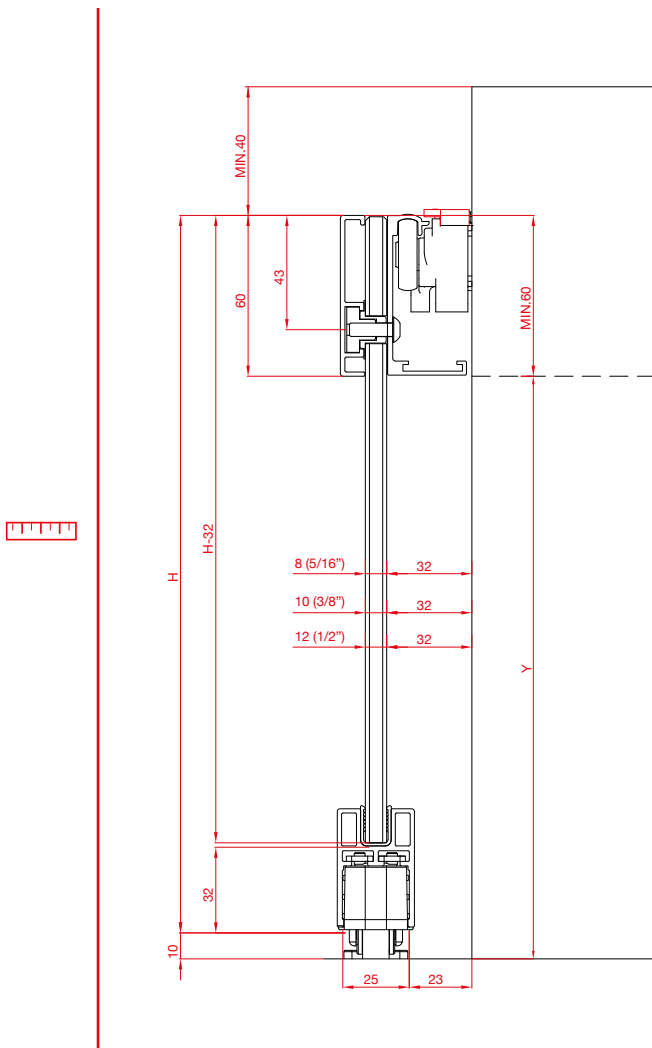


4x20 N°4 4x30 N°6 4,5x40 N°4

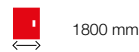
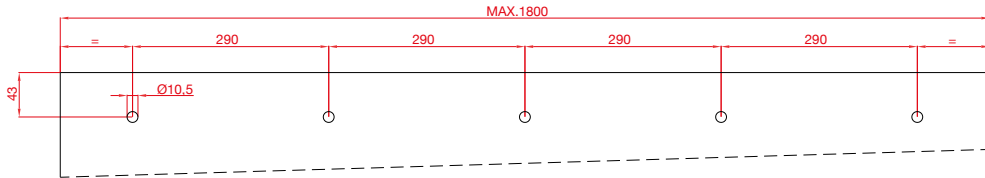
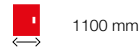
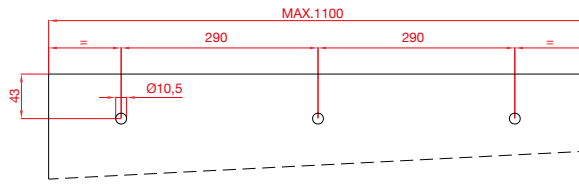
FISCHER SX5 N°6 FISCHER UX6 N°4

OLD CODE	NEW CODE			
MAGIC2/1100/V/08	K.0041.1.02	8 mm (5/16")	1100 mm	6x
MAGIC2/1100/V/10	K.0041.2.02	10 mm (3/8")		6x
MAGIC2/1100/V/12	K.0041.3.02	12 mm (1/2")		6x
MAGIC2/1800/V/8	K.0042.1.02	8 mm (5/16")	1800 mm	4x
MAGIC2/1800/V/10	K.0042.2.02	10 mm (3/8")		4x
MAGIC2/1800/V/12	K.0042.3.02	12 mm (1/2")		4x

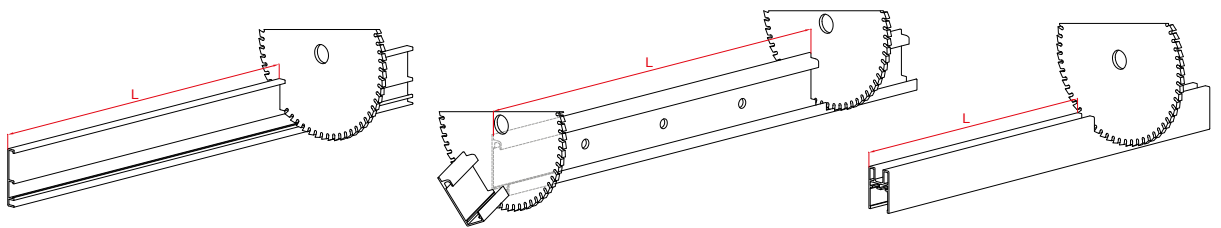
MEASUREMENTS DESCRIPTION / DESCRIZIONE MISURE



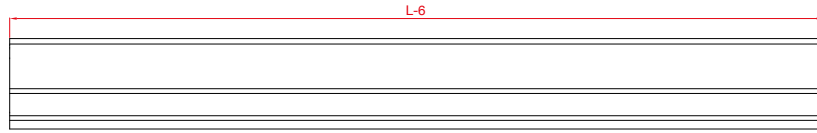
MILLING DESCRIPTION / DESCRIZIONE DELLE LAVORAZIONI



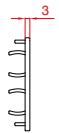
PROFILES CUTTING MEASUREMENTS / MISURE DI TAGLIO DEI PROFILI



ART. 2199



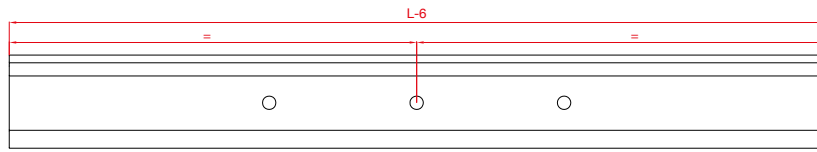
ART. 2198



ART. 2199



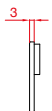
ART. 2851



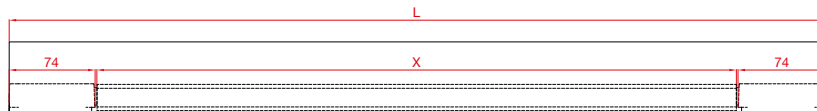
ART. 2850



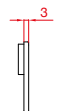
ART. 2851



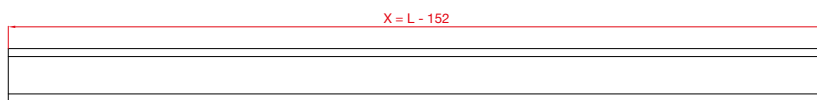
ART. 2866



ART. 2863 - ART. 2862 - ART. 2861



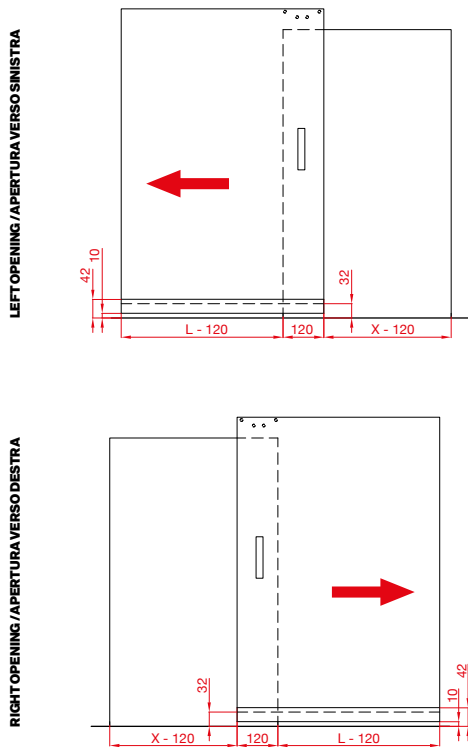
ART. 2866



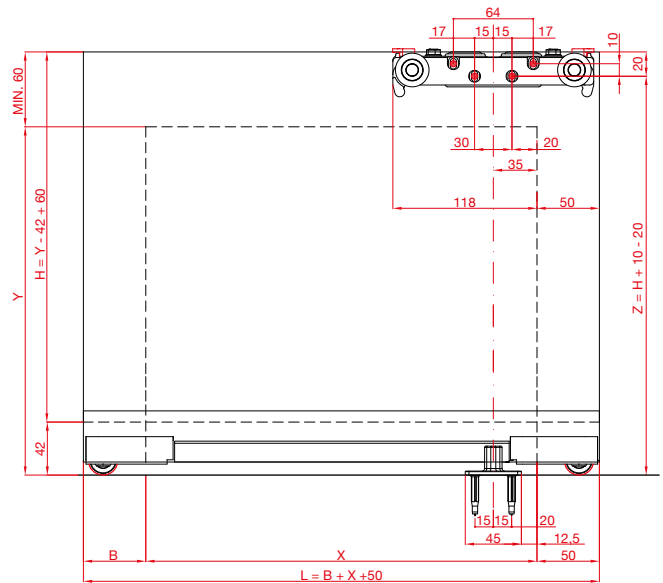
ART. 2860



ACCESSORIES PLACEMENT (STANDARD POSITION) / POSIZIONAMENTO DEGLI ACCESSORI (POSIZIONE STANDARD)



B=0mm (Min.)
B=50mm (Suggested/Suggerito)



**MAGIC2/1100/V/08 (K.0041.1.02) - MAGIC2/1100/V/10 (K.0041.2.02) -
MAGIC2/1100/V/12 (K.0041.3.02)**

B=0
X= MIN. 800 (L=850)
X= MAX. 1050 (L=1100)

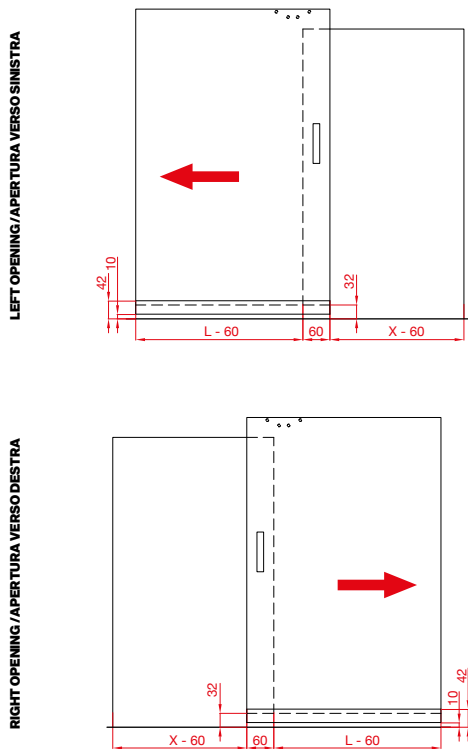
B=50
X= MIN. 800 (L=900)
X= MAX. 1000 (L=1100)

**MAGIC2/1800/V/8 (K.0042.1.02) - MAGIC2/1800/V/10 (K.0042.2.02) -
MAGIC2/1800/V/12 (K.0042.3.02)**

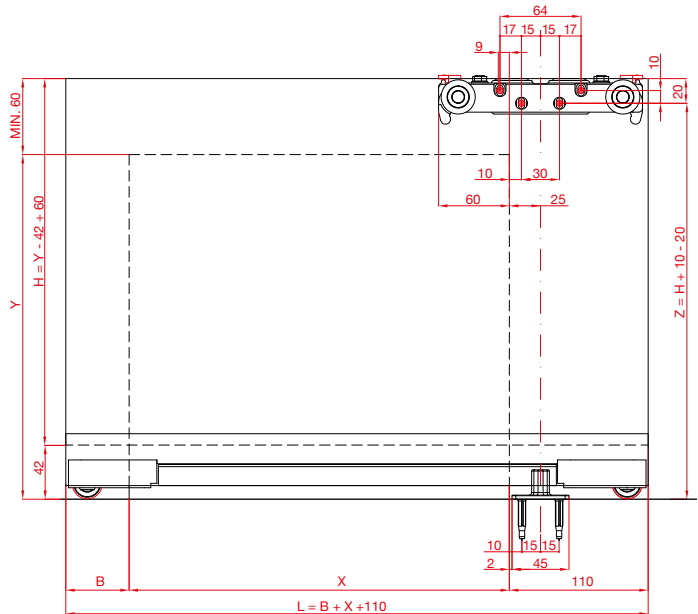
B=0
X= MIN. 800 (L=850)
X= MAX. 1750 (L=1800)

B=50
X= MIN. 800 (L=900)
X= MAX. 1700 (L=1800)

ACCESSORIES PLACEMENT (INTERMEDIATE POSITION) / POSIZIONAMENTO DEGLI ACCESSORI (POSIZIONE INTERMEDIA)



B=0mm (Min.)
B=50mm (Suggested/Suggerito)



**MAGIC2/1100/V/08 (K.0041.1.02) - MAGIC2/1100/V/10 (K.0041.2.02) -
MAGIC2/1100/V/12 (K.0041.3.02)**

B=0
X= MIN. 740 (L=850)
X= MAX. 990 (L=1100)

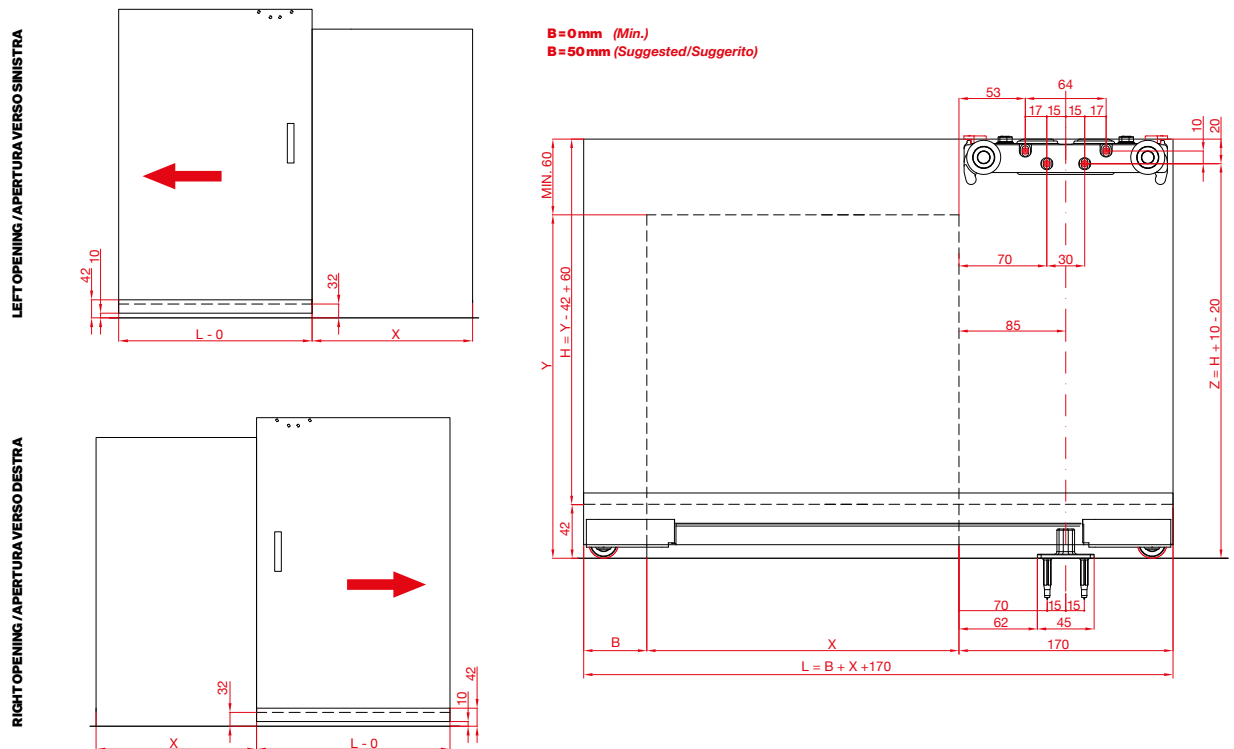
B=50
X= MIN. 740 (L=900)
X= MAX. 940 (L=1100)

**MAGIC2/1800/V/8 (K.0042.1.02) - MAGIC2/1800/V/10 (K.0042.2.02) -
MAGIC2/1800/V/12 (K.0042.3.02)**

B=0
X= MIN. 740 (L=850)
X= MAX. 1690 (L=1800)

B=50
X= MIN. 740 (L=900)
X= MAX. 1640 (L=1800)

ACCESSORIES PLACEMENT (TOTAL OPENING POSITION) / POSIZIONAMENTO DEGLI ACCESSORI (POSIZIONE APERTURA TOTALE)



B=0mm (Min.)
B=50mm (Suggested/Suggerito)

MAGIC2/1100/V/08 (K.0041.1.02) - MAGIC2/1100/V/10 (K.0041.2.02) - MAGIC2/1100/V/12 (K.0041.3.02)

B=0
X= MIN. 680 (L=850)
X= MAX. 930 (L=1100)

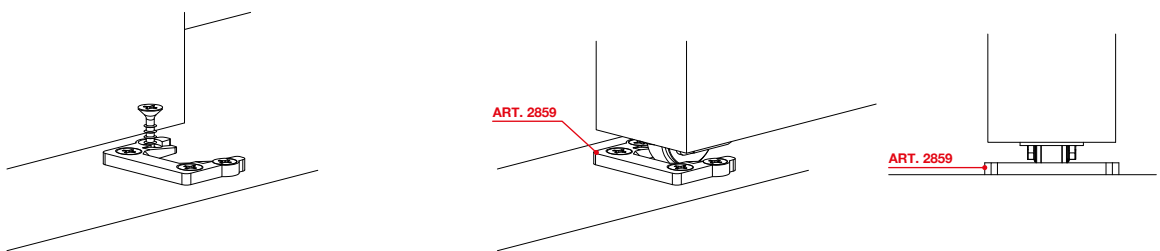
B=50
X= MIN. 680 (L=900)
X= MAX. 880 (L=1100)

MAGIC2/1800/V/8 (K.0042.1.02) - MAGIC2/1800/V/10 (K.0042.2.02) - MAGIC2/1800/V/12 (K.0042.3.02)

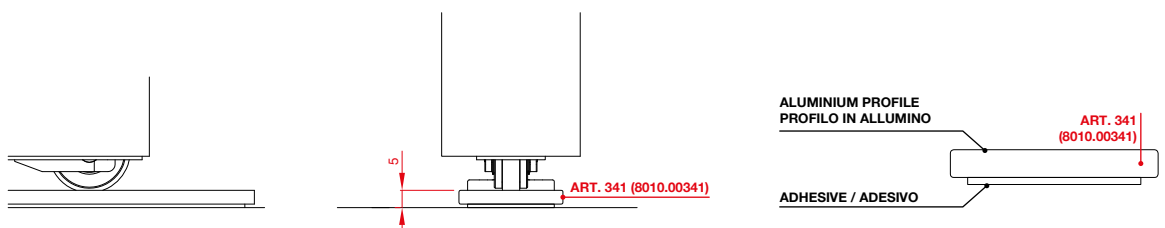
B=0
X= MIN. 680 (L=850)
X= MAX. 1630 (L=1800)

B=50
X= MIN. 680 (L=900)
X= MAX. 1580 (L=1800)

ART. 2859 - END STOPPER / FINE CORSA



**ALUMINIUM TRACK FOR IRREGULAR FLOOR
PROFILO IN ALLUMINIO PER PAVIMENTAZIONE IRREGOLARE**



ART. 341
8 01 0 .00341



Terno Scorrevoli S.p.A.

**Via Ravenna, 4 - 20814 Varedo (MB) ITALY
Phone +39 0362 543001 - Fax +39 0362 582290**

**terno@ternoscorrevoli.com
www.ternoscorrevoli.com**