



Kiaro Easy

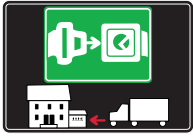
OPENING
SYSTEMS
FOR LIFT
UP AND
DROP
DOWN
DOORS





SYMBOLS AND FINISHES LEGEND

SYMBOLS



= SHELF SAFELY LOCKED DURING TRANSPORTATION AND AT HOME.



= ANTI-TURNOVER LOCKING SYSTEM



= NORMS / PATENTS



= PHILLIPS / POZIDRIV



= WITH BUFFER



= PART NO.



= BLADE SLOT



= WITH MAGNET



= PCS. PER PACKAGE



= COMBI SLOT



= HEXAGONAL SOCKET



= NEWTON



= CAPACITY LOADING



= HEXALOBULAR SOCKET



= FRICTION



= WOOD / GLASS THICKNESS



= COUNTERSUNK HEAD



= AUTOMATIC



= HOLE DIAMETER



= PAN HEAD



= DROP DOWN



= DIAMETER



= FLANGE HEAD



= LENGTH



= FLAT HEAD



= STANDARD HINGE



= HEIGHT



= TRILOBULAR SCREW



= KIMANA HINGE



= RIGHT VERSION



= SELF-TAPPING SCREW



= FLAP HINGE



= LEFT VERSION



= EURO THREAD



= WITH SPRING



= SETTING CODE



= METRIC THREAD



= WITHOUT SPRING



= PCS. PER PAD



= PRE-INSERTED SCREW



= REVERSED SPRING



= CUT ON REQUEST



= PRE-INSERTED SCREW AND SPREADING BUSH



= SELF ADHESIVE



= WITH FLANGE

NOTE: Printing errors and omissions may exist despite our best efforts to ensure accuracy. We reserve the right to alter specifications without notice.

MATERIALS

ZA = Zinc Alloy	ST = Steel	HSS = High Speed Steel	BR = Brass	ABS = Acrylonitrile Butadiene Styrene
ZAnk = Nickel-plated Zinc Alloy	STzk = Zinc-plated Steel	AL = Aluminium	WD = Wood	EVA = Ethylene Vinyl Acetate

EP = ENGINEERING PLASTIC	+ EP = other engineering plastic available on request	SR = SOFT RUBBER	+ SR = other soft rubber available on request
--	--	--------------------------------	--

EPn = Natural Engineering Plastic	EPc = Clear Engineering Plastic	SRn = Natural Soft Rubber
EPw = White Engineering Plastic	EPg = Grey Engineering Plastic	SRw = White Soft Rubber
EPwg = Water Green Engineering Plastic	EPa = Anthracite Engineering Plastic	SRb = Black Soft Rubber



FINISHES



= OTHER FINISHES AVAILABLE ON REQUEST

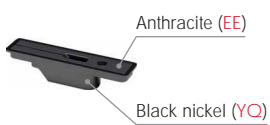
PART NO.	FINISHES	PART NO.	FINISHES	PART NO.	FINISHES
OO	Insignificant finish	IF	Middle Grey	RO	Red
AA	Natural	IJ	Light Grey	UT	T-Met 9007
AB	White	IL	Grey 20	UZ	T-Met
AE	White 9010	IN	Grey met. 26	WA	Bronzed
EA	Black	JB	Bright Aluminium	WI	Burnished
EC	Matt Black	JC	Aluminium - Chrome	XD	Satin-finished Steel
EE	Anthracite	JD	Matt Aluminium	YA	Nickel-plated
EW	Grey 9007	JE	Satin-finished Aluminium	YB	Bright Nickel-plated
FU	Gunmetal	JF	Aluminium - Brass	YC	Matt Nickel-plated
FV	Gunmetal V52	JG	Aluminium 5	YD	Satin-finished Nickel-plated
GR	Raw	JL	Aluminium PE 11	YQ	Black Nickel
HA	Brass-Plated	JM	Aluminium RAL 9006	Z9	Black Zinc
HH	Tropicalized	KA	Chrome	ZA	Zinc alloy
HL	Raw Brass	KB	Bright Chrome	ZN	Zinc-plated
HX	Graphite	KC	Matt Chrome	ZQ	Bright Gold
IA	Grey	LD	Brown 8019	ZY	Titanium
IB	Metallic Grey	NN	Metallic Beige	ZZ	Clear

KIARO EASY

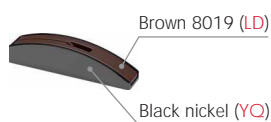
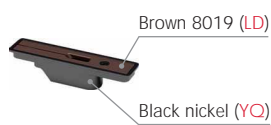


AVAILABLE FINISHES

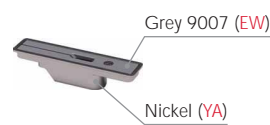
Anthracite (EE)



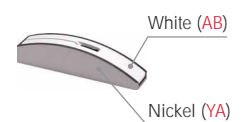
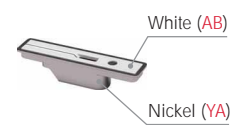
Brown 8019 (LD)



Grey 9007 (EW)

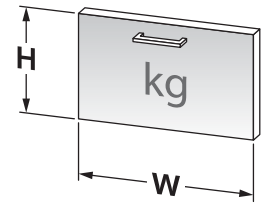
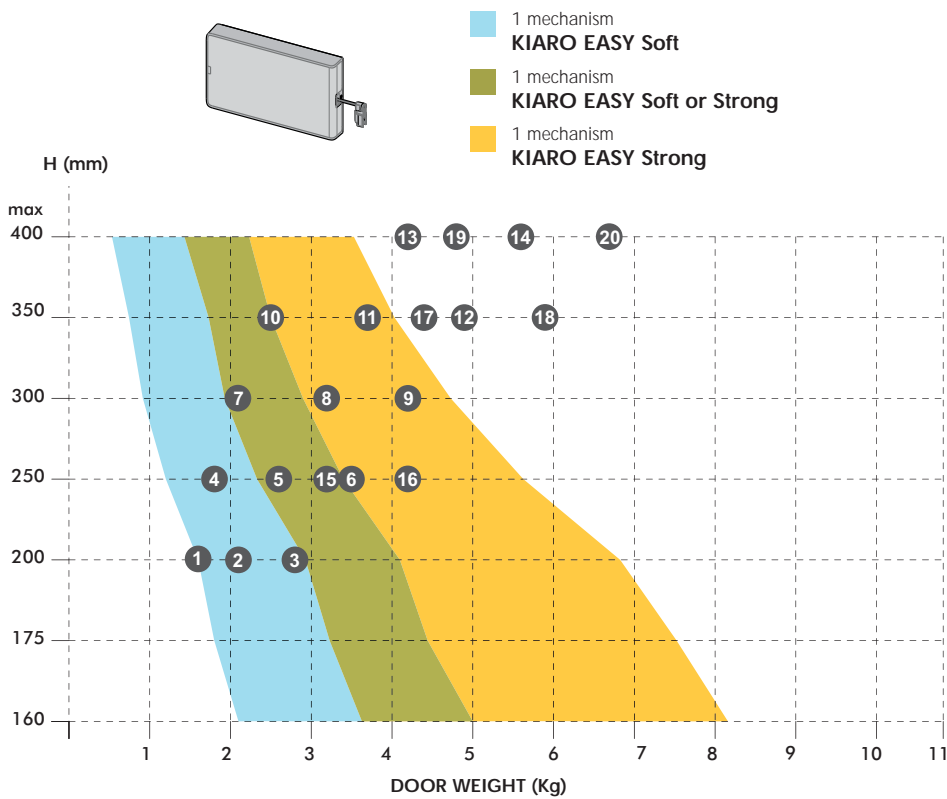


White (AB)



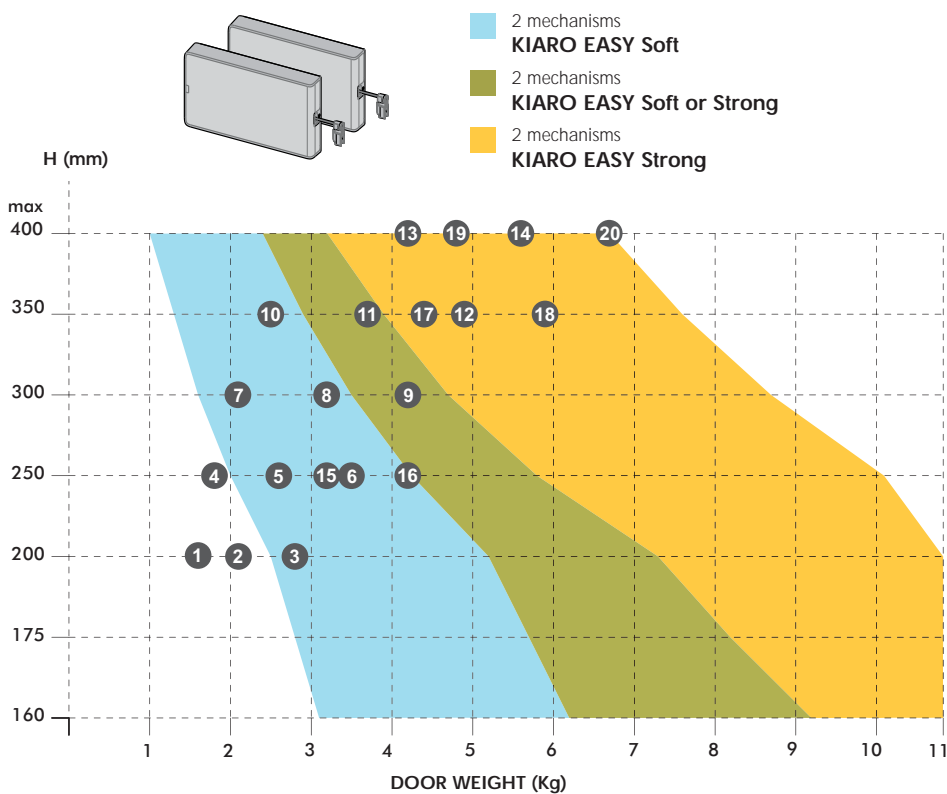


KIARO EASY SINGLE INSTALLATION



Door weight including the possible handle.

KIARO EASY DOUBLE INSTALLATION



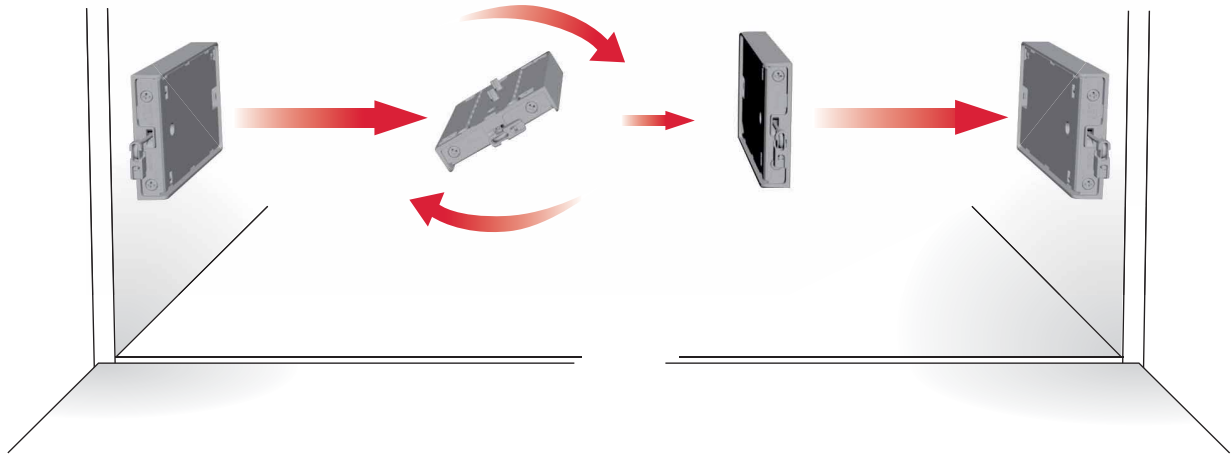
	H mm	W mm	Weight theoretical
1	200	600	1,6 kg
2	200	900	2,1 kg
3	200	1200	2,8 kg
4	250	600	1,8 kg
5	250	900	2,6 kg
6	250	1200	3,5 kg
7	300	600	2,1 kg
8	300	900	3,2 kg
9	300	1200	4,2 kg
10	350	600	2,5 kg
11	350	900	3,7 kg
12	350	1200	4,9 kg
13	400	900	4,2 kg
14	400	1200	5,6 kg
15	250	900	3,2 kg
16	250	1200	4,2 kg
17	350	900	4,4 kg
18	350	1200	5,9 kg
19	400	900	4,8 kg
20	400	1200	6,7 kg

Weight considering: Chipboard 650 Kg/m³ and MDF 780 Kg/m³.

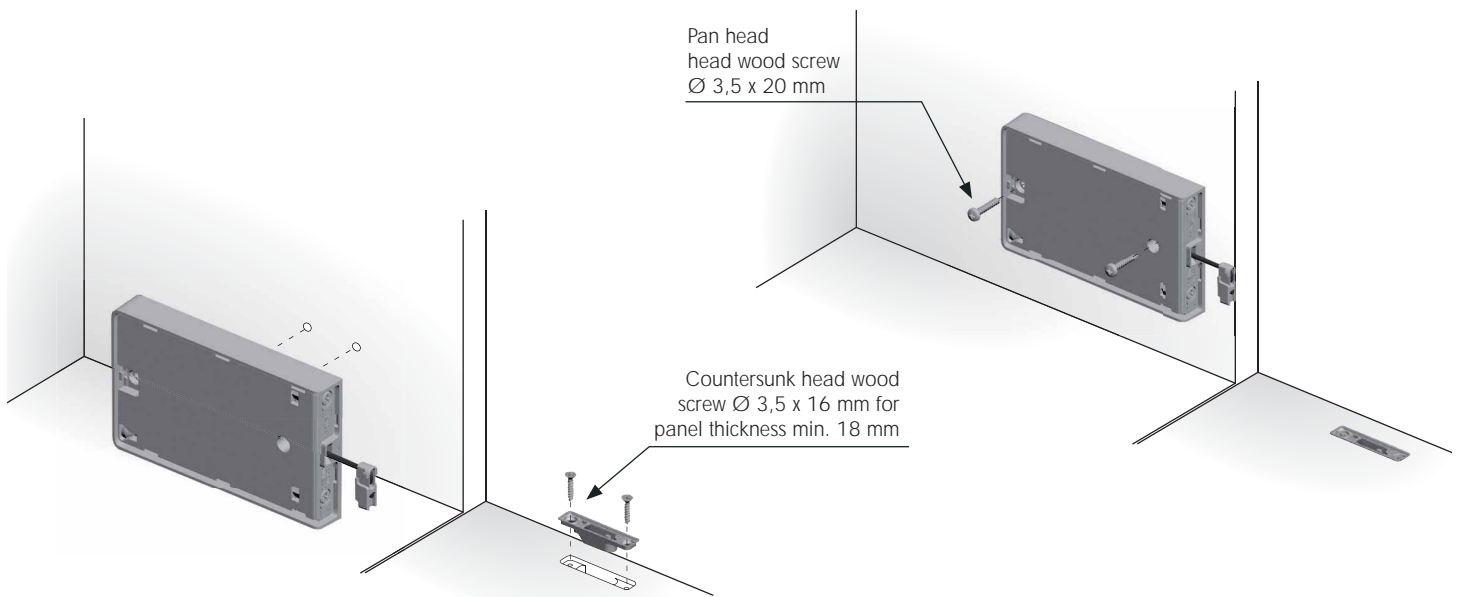
These are experimental results to be checked by the customer.

In accordance with the actual European regulation, we suggest where possible to use two KIARO EASY mechanisms for each door. Our technical department is at your disposal to analyze further cases out of this chart.

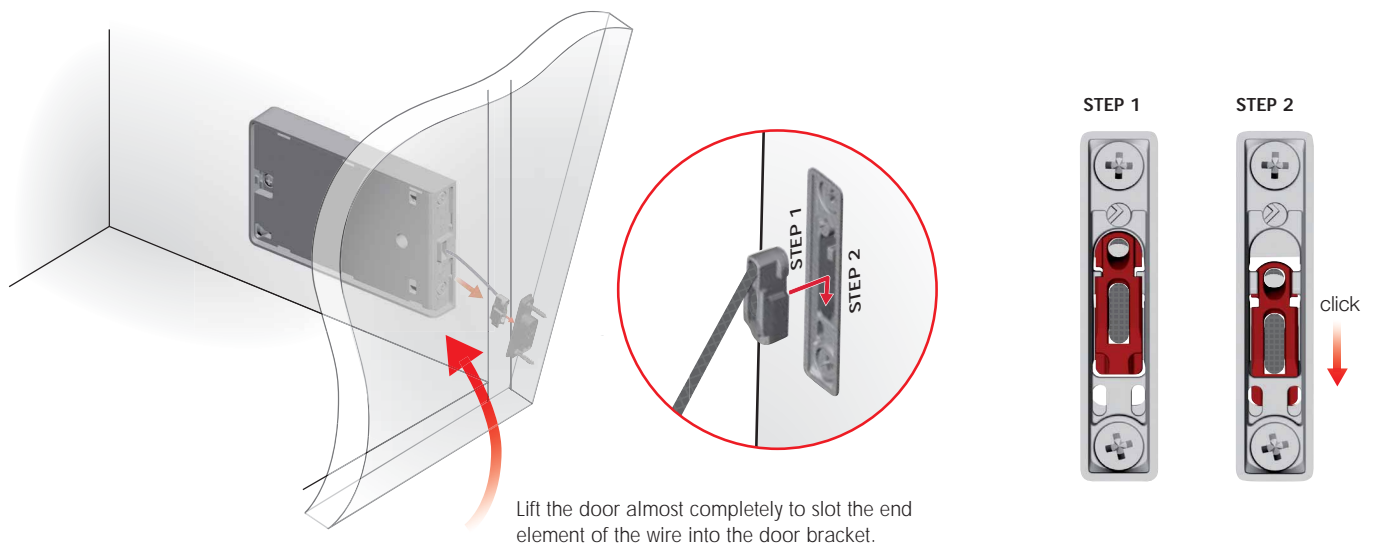
UNHANDED MECHANISM



MECHANISM AND DOOR BRACKET INSTALLATION

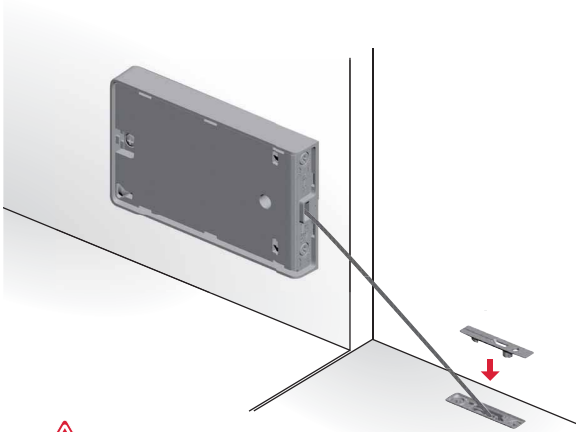


WIRE INSERTION ONTO THE DOOR BRACKET



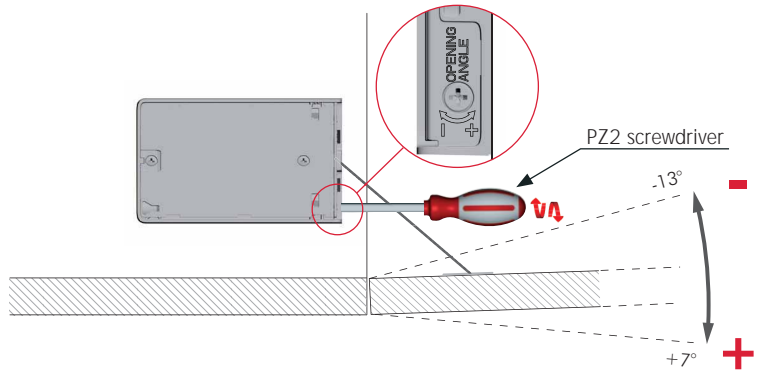


DOOR BRACKET COVER CAP INSERTION



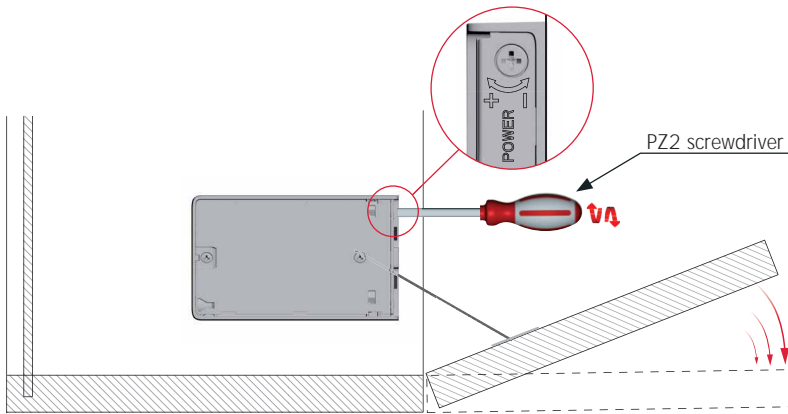
Place the cover cap on the door bracket before lifting the door.

OPENING ANGLE ADJUSTMENT

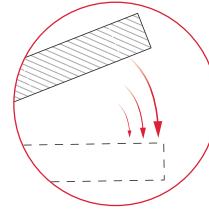


The adjustment of door opening angle must be carried out before the power adjustment.

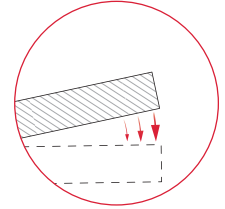
POWER ADJUSTMENT



Power +
The slowing phase of door opening is anticipated.

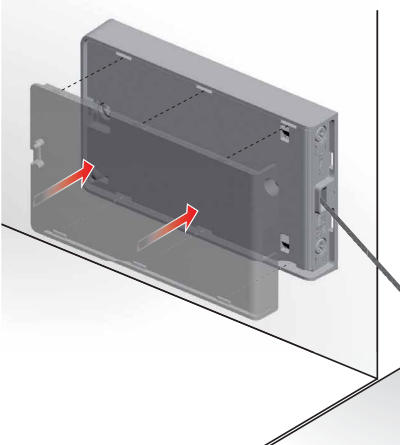


Power -
The slowing phase of door opening is delayed.

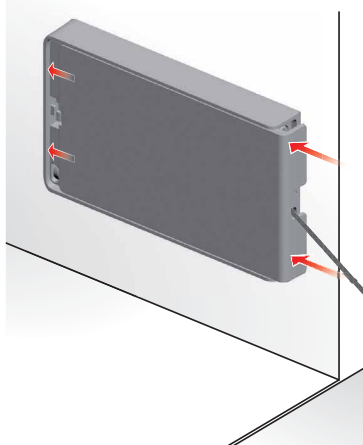


MECHANISM COVER INSERTION

STEP 1

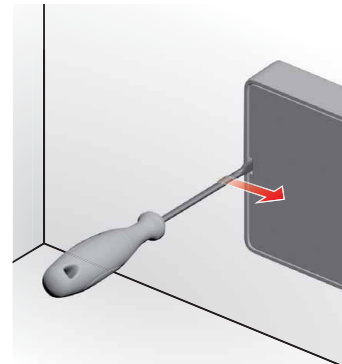


STEP 2

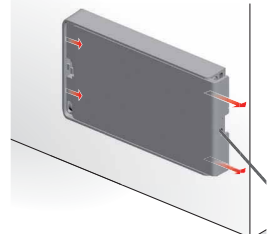


MECHANISM COVER REMOVAL

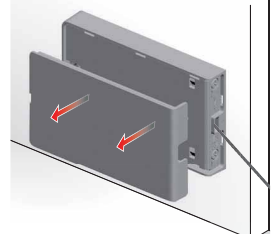
Use a blade screwdriver to unlock the cover and proceed with showed removal steps.



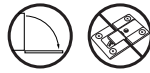
REMOVAL STEP 1



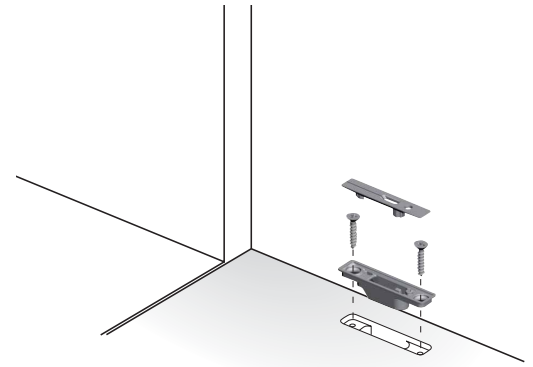
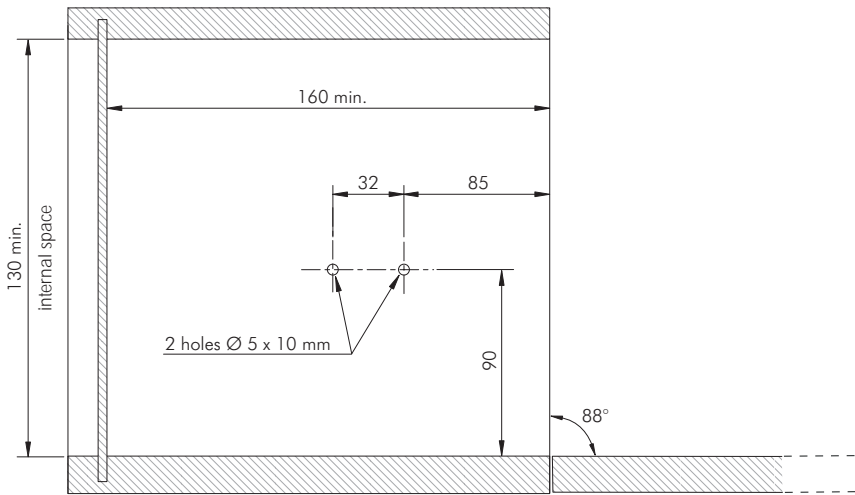
REMOVAL STEP 2



KIARO EASY WITH KIMANA HINGE

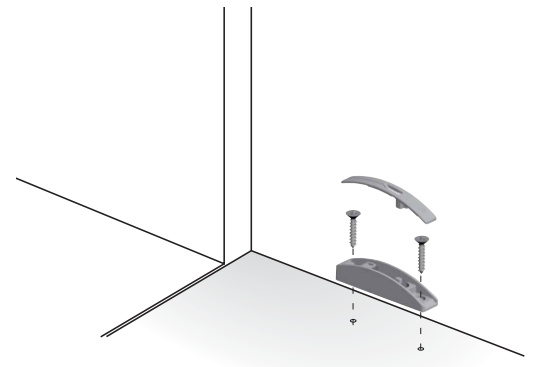
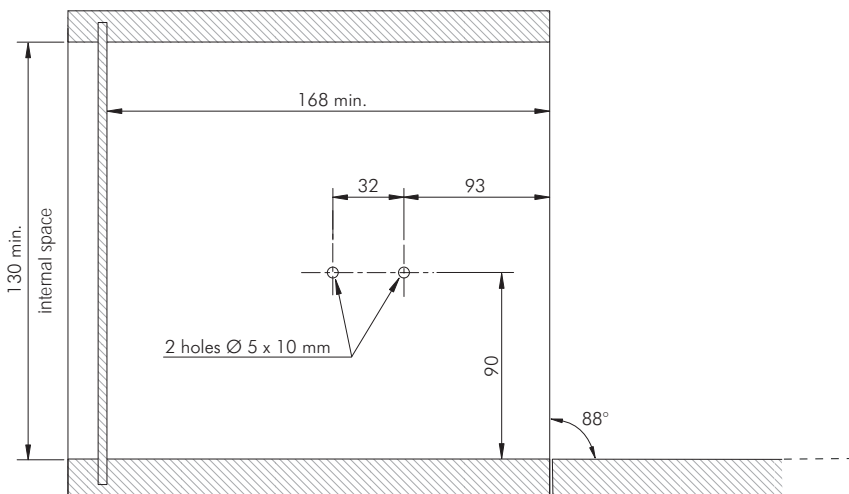


SIDE PANEL DRILLING PLAN WITH EMBEDDED DOOR BRACKET



Overcrossing 90° door opening angle, negatively affects the Kimana hinges.

SIDE PANEL DRILLING PLAN WITH SCREW FIXING DOOR BRACKET



Overcrossing 90° door opening angle, negatively affects the Kimana hinges.

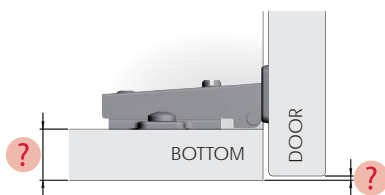


In case of door without handles it is recommended to use K Push Tech with buffer.

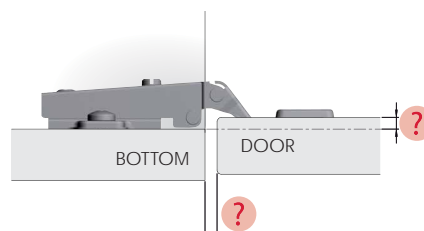
KIARO EASY WITH STANDARD UNSPRUNG HINGES



In case the hinges to be installed are not KIMANA hinges, please contact our technical department to receive the correct drilling plan. It is necessary to indicate all the values requested in the following diagram:



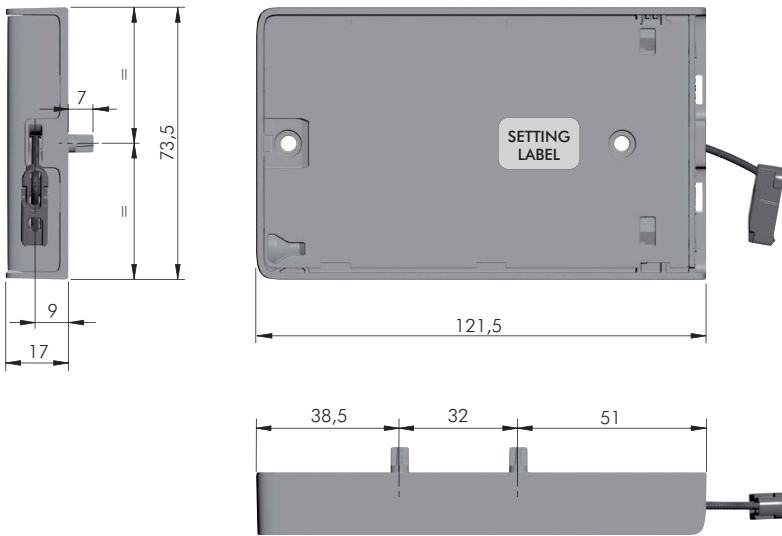
CLOSING CONDITION



OPENING CONDITION



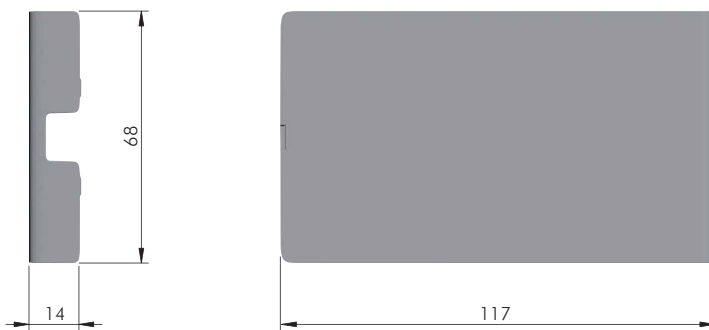
KIARO EASY MECHANISM



ZA	EP	ST	= 20 pcs.		
49504000EE	EW	LD	AB		Soft
49506000EE	EW	LD	AB		Strong



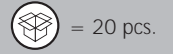
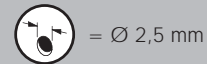
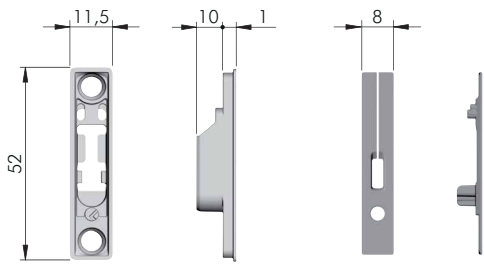
KIARO EASY COVER



EP	= 20 pcs.			
49502000EE	EW	LD	AB	



EMBEDDED DOOR BRACKET



49503000YQ

EE

YQ

49503000YA

EW

YA

49503010YQ

LD

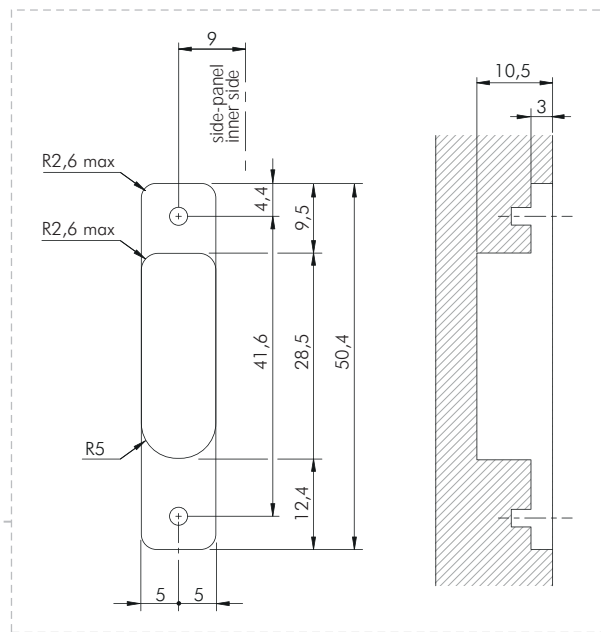
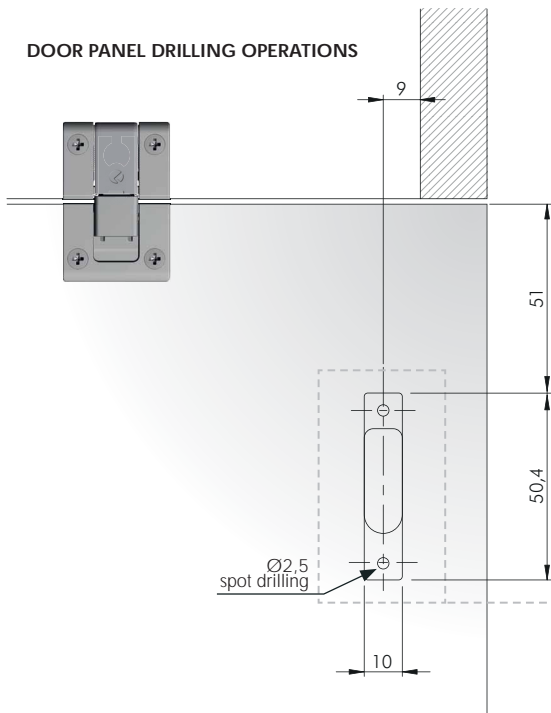
YQ

49503010YA

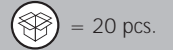
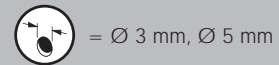
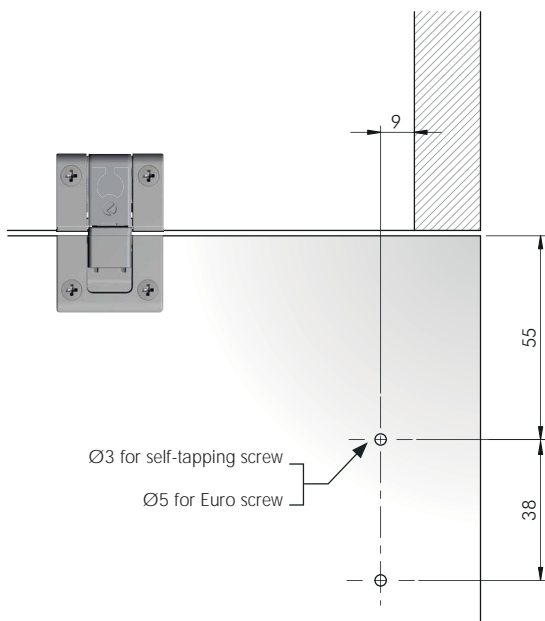
AB

YA

DOOR PANEL DRILLING OPERATIONS



SCREW FIXING DOOR BRACKET



49503500YQ

EE

YQ

49503500YA

EW

YA

49503510YQ

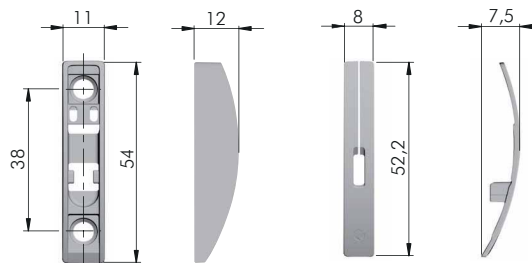
LD

YQ

49503510YA

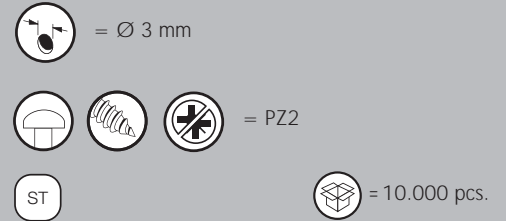
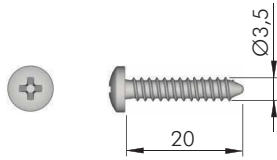
AB

YA

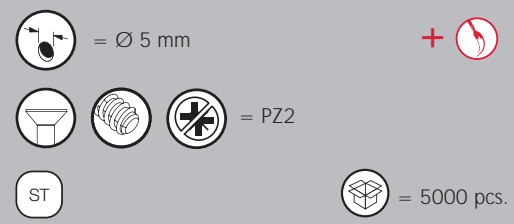
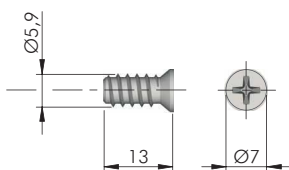
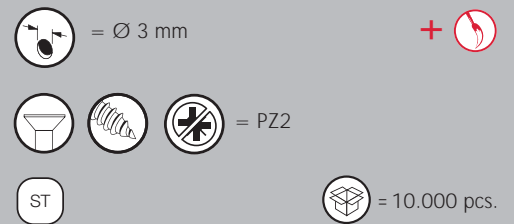
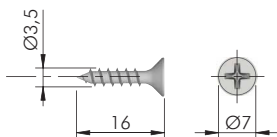




ACCESSORY FOR MECHANISM FIXING



ACCESSORIES FOR DOOR BRACKET FIXING

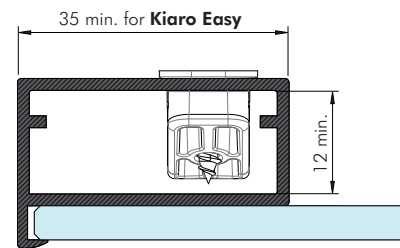
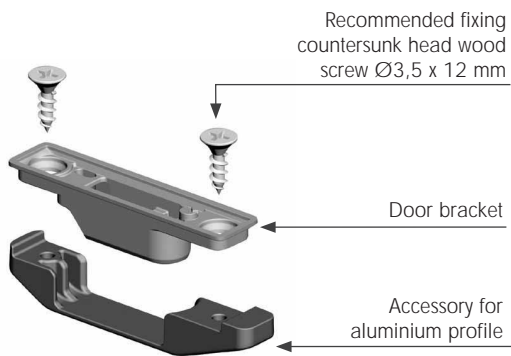


DOOR BRACKET ACCESSORY FOR DOORS WITH ALUMINIUM PROFILE

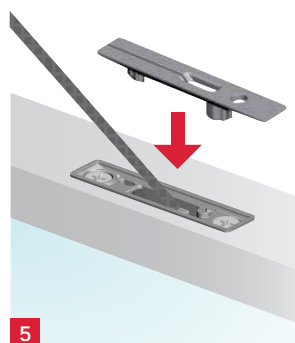
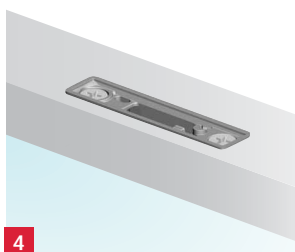
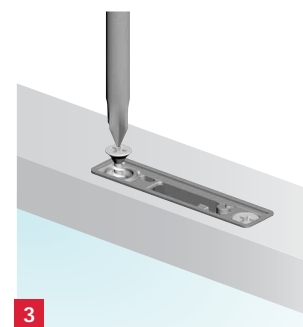
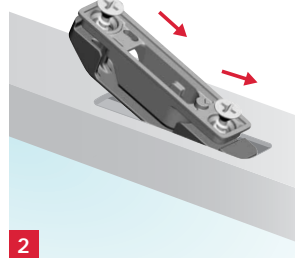
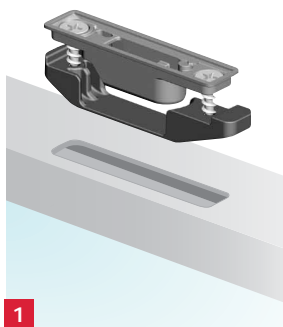


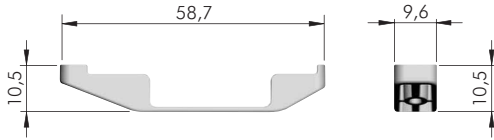
DOOR BRACKET INSTALLATION

DOOR SPECIFICATION



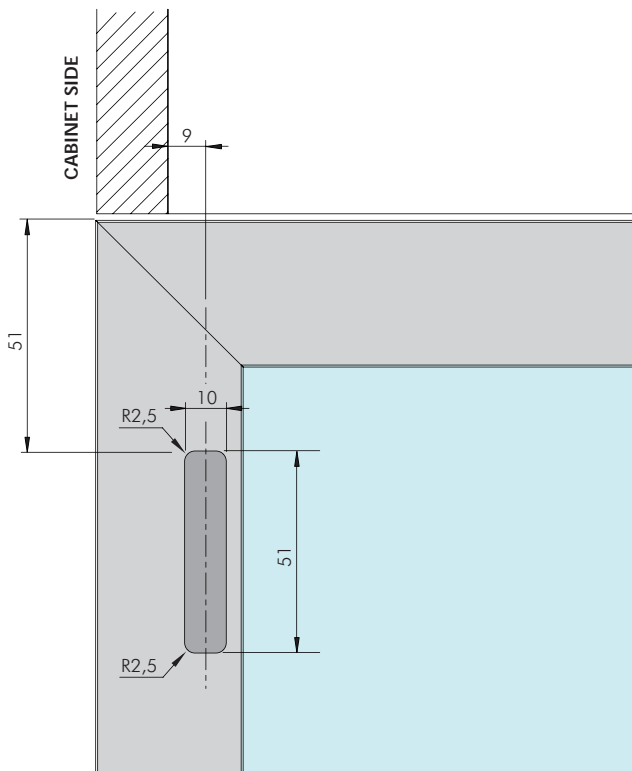
Join the door bracket with
the accessory keeping the
screws loose



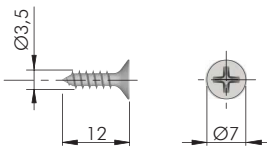


EP	= 1500 pcs.
4630208000	

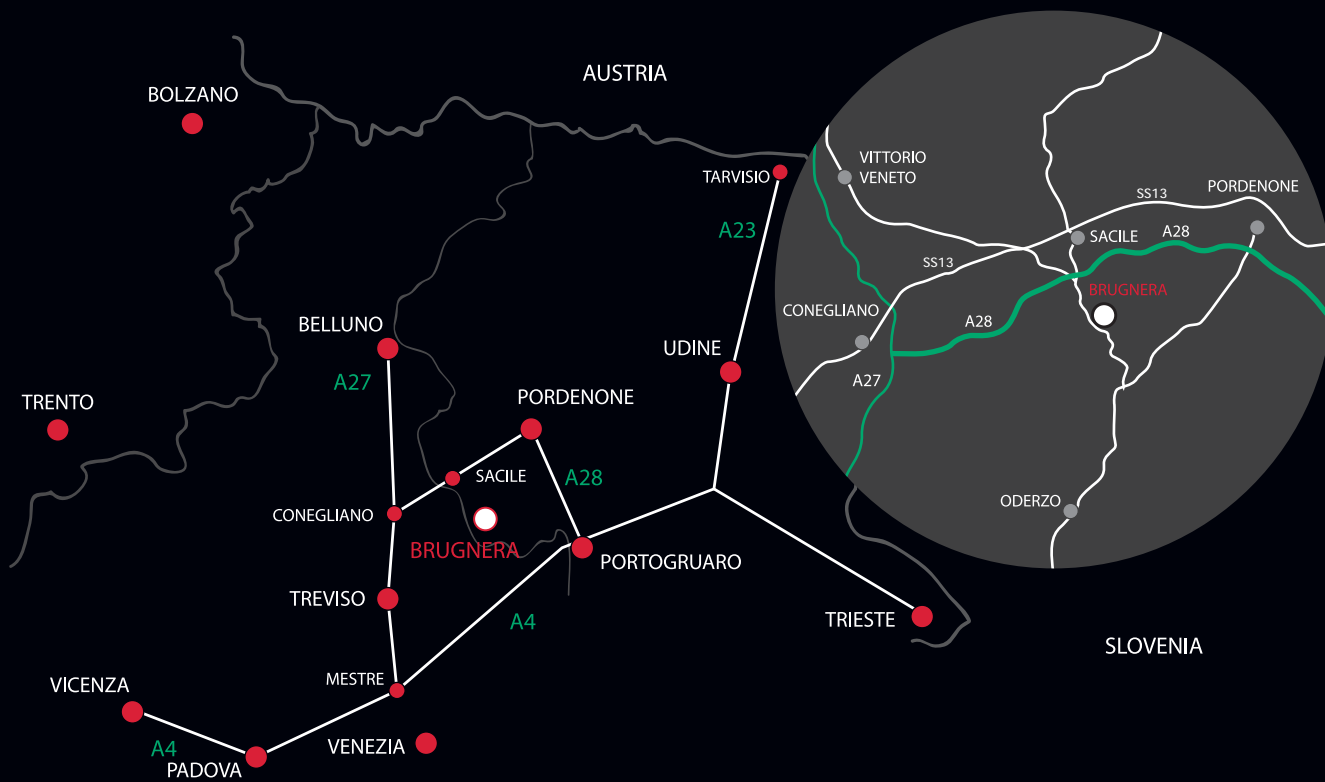
DRILLING PLAN FOR KIARO EASY



FIXING ACCESSORY



= Ø 3 mm	
= PZ2	
ST	= 10.000 pcs.
60101380ZN	



www.italianaferramenta.it