



# Libra H1



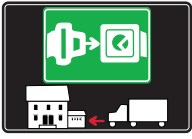
HANGERS





# SYMBOLS AND FINISHES LEGEND

## SYMBOLS



= SHELF SAFELY LOCKED DURING TRANSPORTATION AND AT HOME.



= ANTI-TURNOVER LOCKING SYSTEM



= NORMS / PATENTS



= PHILLIPS / POZIDRIV



= WITH BUFFER



= PART NO.



= BLADE SLOT



= WITH MAGNET



= PCS. PER PACKAGE



= COMBI SLOT



= HEXAGONAL SOCKET



= NEWTON



= CAPACITY LOADING



= HEXALOBULAR SOCKET



= FRICTION



= WOOD / GLASS THICKNESS



= COUNTERSUNK HEAD



= AUTOMATIC



= HOLE DIAMETER



= PAN HEAD



= DROP DOWN



= DIAMETER



= FLANGE HEAD



= LENGTH



= FLAT HEAD



= STANDARD HINGE



= HEIGHT



= TRILOBULAR SCREW



= KIMANA HINGE



= RIGHT VERSION



= SELF-TAPPING SCREW



= FLAP HINGE



= LEFT VERSION



= EURO THREAD



= WITH SPRING



= SETTING CODE



= METRIC THREAD



= WITHOUT SPRING



= PCS. PER PAD



= PRE-INSERTED SCREW



= REVERSED SPRING



= CUT ON REQUEST



= PRE-INSERTED SCREW AND SPREADING BUSH



= SELF ADHESIVE



= WITH FLANGE

NOTE: Printing errors and omissions may exist despite our best efforts to ensure accuracy. We reserve the right to alter specifications without notice.

## MATERIALS

<b>ZA</b> = Zinc Alloy	<b>ST</b> = Steel	<b>HSS</b> = High Speed Steel	<b>BR</b> = Brass	<b>ABS</b> = Acrylonitrile Butadiene Styrene
<b>ZAnk</b> = Nickel-plated Zinc Alloy	<b>STzk</b> = Zinc-plated Steel	<b>AL</b> = Aluminium	<b>WD</b> = Wood	<b>EVA</b> = Ethylene Vinyl Acetate

**EP** = **ENGINEERING PLASTIC**

+ **EP** = other engineering plastic available on request

**SR** = **SOFT RUBBER** + **SR** = other soft rubber available on request

<b>EPn</b> = Natural Engineering Plastic	<b>EPc</b> = Clear Engineering Plastic	<b>SRn</b> = Natural Soft Rubber
<b>EPw</b> = White Engineering Plastic	<b>EPg</b> = Grey Engineering Plastic	<b>SRw</b> = White Soft Rubber
<b>EPwg</b> = Water Green Engineering Plastic	<b>EPa</b> = Anthracite Engineering Plastic	<b>SRb</b> = Black Soft Rubber



## FINISHES



+ **OTHER FINISHES AVAILABLE ON REQUEST**

PART NO.	FINISHES	PART NO.	FINISHES	PART NO.	FINISHES
<b>OO</b>	Insignificant finish	<b>IF</b>	Middle Grey	<b>RO</b>	Red
<b>AA</b>	Natural	<b>IJ</b>	Light Grey	<b>UT</b>	T-Met 9007
<b>AB</b>	White	<b>IL</b>	Grey 20	<b>UZ</b>	T-Met
<b>AE</b>	White 9010	<b>IN</b>	Grey met. 26	<b>WA</b>	Bronzed
<b>EA</b>	Black	<b>JB</b>	Bright Aluminium	<b>WI</b>	Burnished
<b>EC</b>	Matt Black	<b>JC</b>	Aluminium - Chrome	<b>XD</b>	Satin-finished Steel
<b>EE</b>	Anthracite	<b>JD</b>	Matt Aluminium	<b>YA</b>	Nickel-plated
<b>EW</b>	Grey 9007	<b>JE</b>	Satin-finished Aluminium	<b>YB</b>	Bright Nickel-plated
<b>FU</b>	Gunmetal	<b>JF</b>	Aluminium - Brass	<b>YC</b>	Matt Nickel-plated
<b>FV</b>	Gunmetal V52	<b>JG</b>	Aluminium 5	<b>YD</b>	Satin-finished Nickel-plated
<b>GR</b>	Raw	<b>JL</b>	Aluminium PE 11	<b>YQ</b>	Black Nickel
<b>HA</b>	Brass-Plated	<b>JM</b>	Aluminium RAL 9006	<b>Z9</b>	Black Zinc
<b>HH</b>	Tropicalized	<b>KA</b>	Chrome	<b>ZA</b>	Zinc alloy
<b>HL</b>	Raw Brass	<b>KB</b>	Bright Chrome	<b>ZN</b>	Zinc-plated
<b>HX</b>	Graphite	<b>KC</b>	Matt Chrome	<b>ZQ</b>	Bright Gold
<b>IA</b>	Grey	<b>LD</b>	Brown 8019	<b>ZY</b>	Titanium
<b>IB</b>	Metallic Grey	<b>NN</b>	Metallic Beige	<b>ZZ</b>	Clear

## LIBRA H1 - H2 - H3 - H4 LIVING SETTINGS



LIBRA H1



LIBRA H3



LIBRA H2



LIBRA H4



**LIBRA H1**

LIBRA is the innovative family of CABINET HANGERS and WALL PLATES especially conceived to satisfy all the customer's needs. The LIBRA hangers are to be installed behind the rear panel with the only small cover caps left visible inside the cabinet.

LIBRA is a very resistant and reliable solution as the zinc-coated steel body is sensibly thicker, and therefore stronger.

All the models within the LIBRA family feature an innovative ANTI-TURNOVER device which is covered by patent.

LIBRA H1 is the universal screw fixing cabinet hanger. It is unhandled and doesn't require any drilling operations on the side.

Also featured in the LIBRA family are 5 types of wall plates and 1 types of wall bars made of very thick zinc-coated steel and hardened by punched impressions.

Wall bars and wall plates feature oval holes which

facilitate the correct positioning and give the possibility to carry out the horizontal adjustment.

Placement of the holes for wall-fixation has been optimised to reduce the stress on the plates and on the plugs.

LIBRA cabinet hangers allow to adjust the cabinet vertically and horizontally. The 2 movements are 100% INDEPENDENT of each other and therefore make the adjustments much easier and more efficient.

The adjustment and the locking of the ANTI-TURNOVER bolt can be carried out from the inside of the cabinet by using a standard PZ2 screwdriver.

The capacity loading of LIBRA H1 is 75 Kilos per piece.



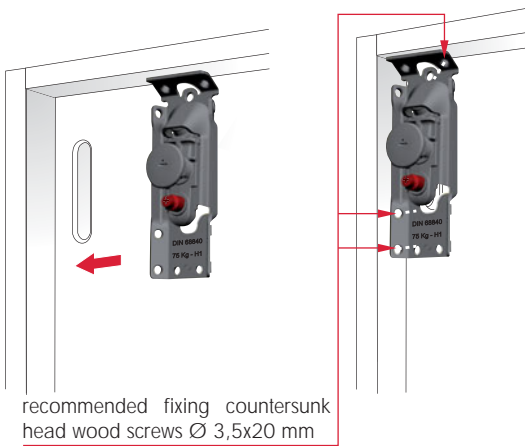
EN 15939:2019 - 65 Kg per piece

**PATENTED**

Certificates available on request.

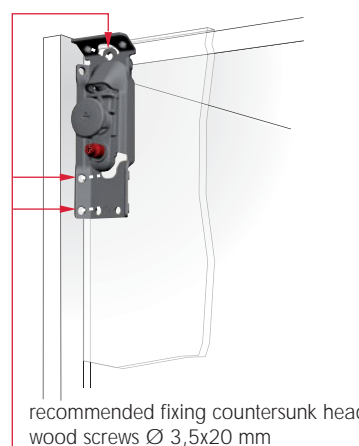


**INSTALLATION UNDER THE CABINET TOP**



recommended fixing countersunk head wood screws Ø 3,5x20 mm

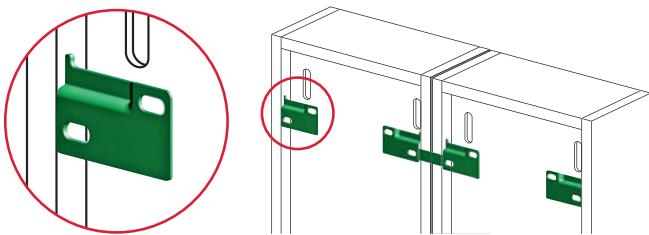
**ALTERNATIVE INSTALLATION**



recommended fixing countersunk head wood screws Ø 3,5x20 mm

**INSTALLATION ON THE WALL**

- For details refer to "LIBRA WALL PLATES"



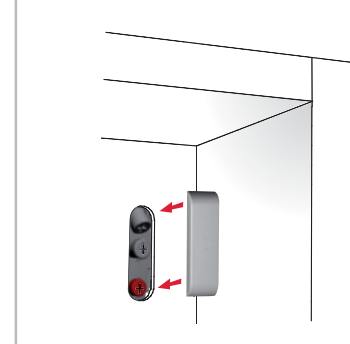
It is the responsibility of the customer:

- to ensure that the wall is of a suitable quality to hold the unit fixing in place.
- to use the proper hardware fittings according to the construction of the wall.

For more specific information, please refer to the WARNINGS section at the end of the catalogue.

**COVER CAP INSERTING**

- For details refer to "LIBRA COVER CAPS"

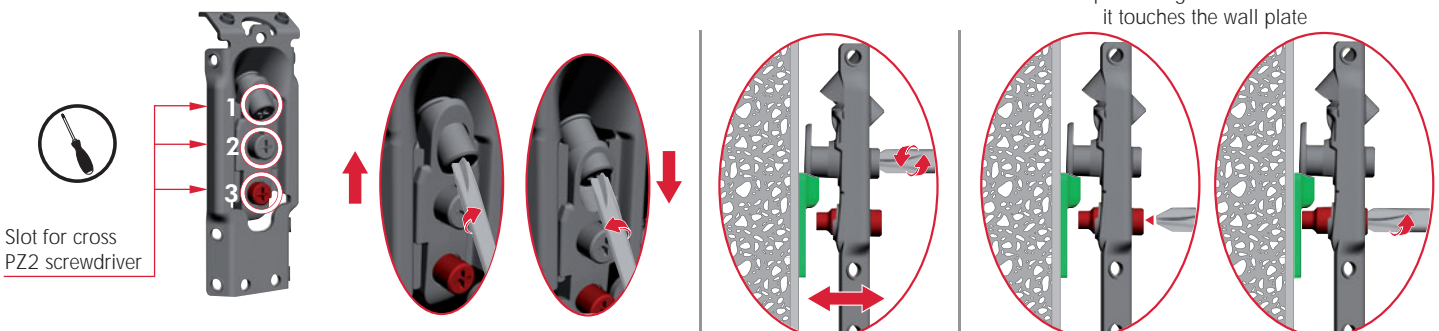


**ADJUSTMENTS**

**1**  
VERTICAL ADJUSTMENT  
13 mm

**2**  
IN-DEPTH ADJUSTMENT  
12 mm

**3**  
ANTI-TURNOVER LOCKING  
Stop screwing the red bolt when it touches the wall plate



Slot for cross PZ2 screwdriver

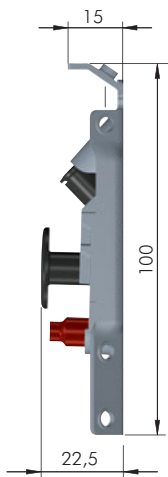
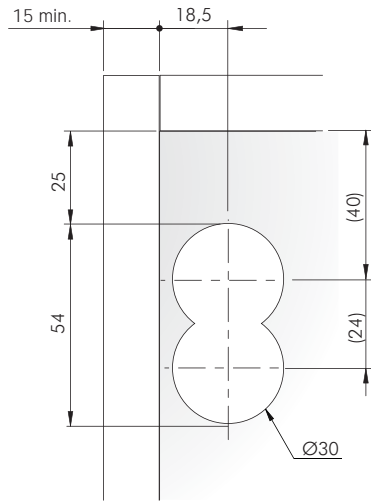
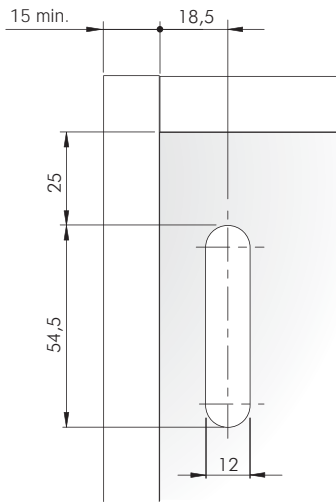
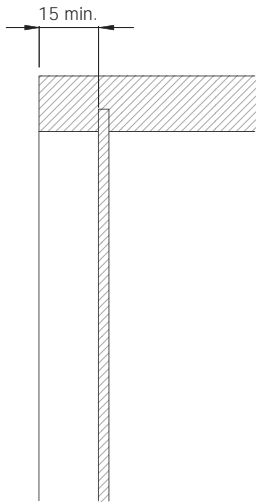
DRILLING PLAN FOR LIBRA H1 FIXED UNDER THE CABINET TOP

SIDE PANEL AND SERVICE GAP

BACK PANEL

Libra CC1-CC4-CC5 cover cap

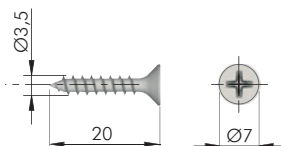
Libra CC2 cover cap



= PZ2  
 = 100 pcs.  
**63420015ZN**

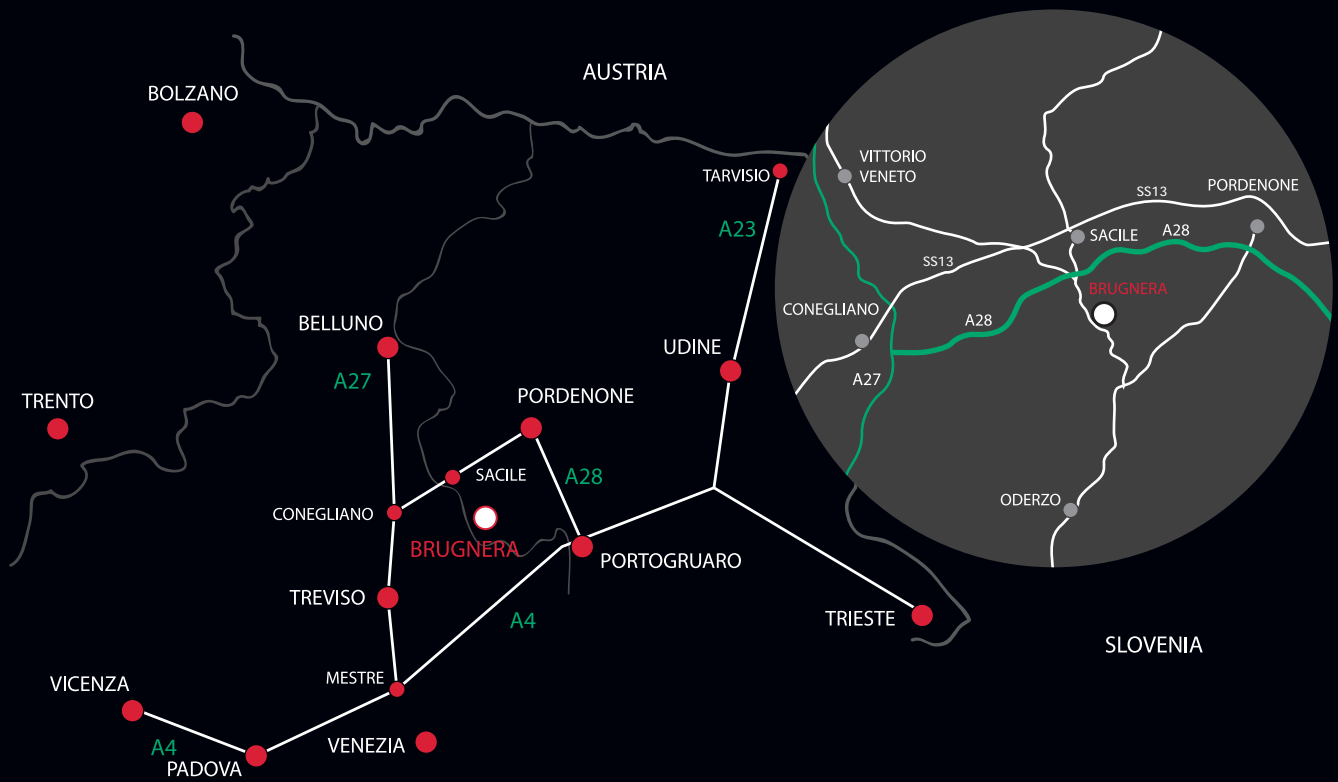
NOTE: for technical details about wall plates and cover caps please refer to the related sections "LIBRA WALL PLATES" on page 12.65 and "LIBRA COVER CAPS" on page 12.68.

## LIBRA H1 FIXING ACCESSORY



= PZ2 = 5000 pcs.  
**60101410ZN**





[www.italianaferramenta.it](http://www.italianaferramenta.it)