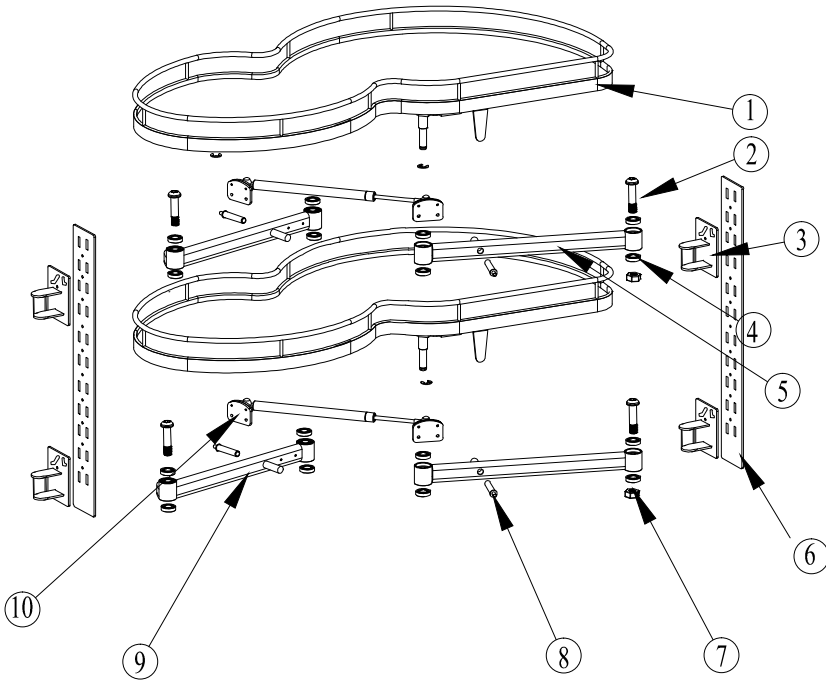


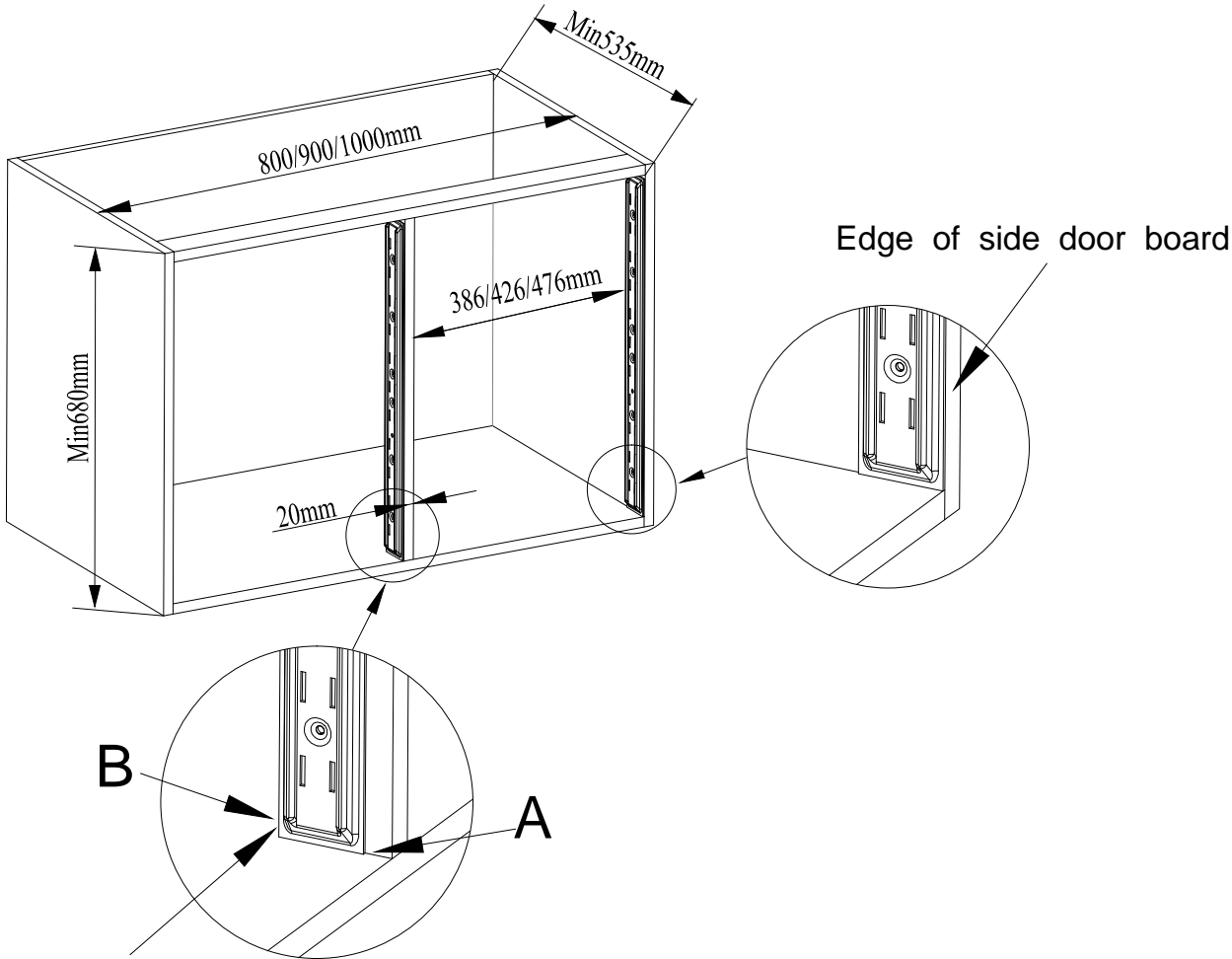
Assembly instructions for Moving Peanut (Right)

| Cabinet | W | D | H |
|---------|-----|-----|-----|
| 800 | 725 | 370 | 565 |
| 900 | 825 | 370 | 565 |
| 1000 | 925 | 370 | 565 |

| No. | Name |
|-----|--------------|
| 1 | Tray |
| 2 | Axis |
| 3 | Side Bracket |
| 4 | Bearing |
| 5 | Straight Bar |
| 6 | Fixed Plate |
| 7 | E Rings |
| 8 | Buffer |
| 9 | Curve Arm |
| 10 | Gas Spring |

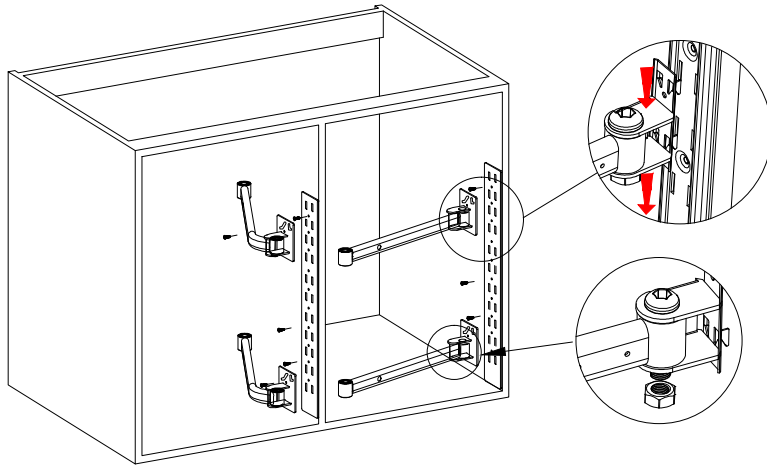


1. Locate screw and bolting position

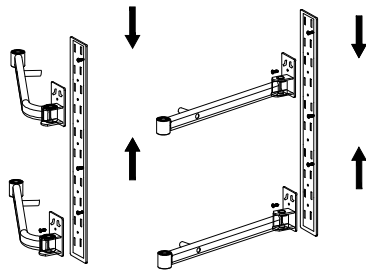


Edge of middle panel point B

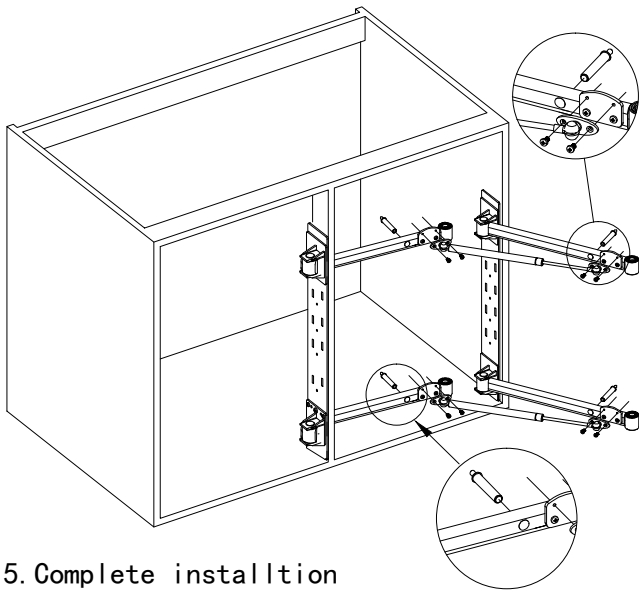
2. Mounting of arms and pole



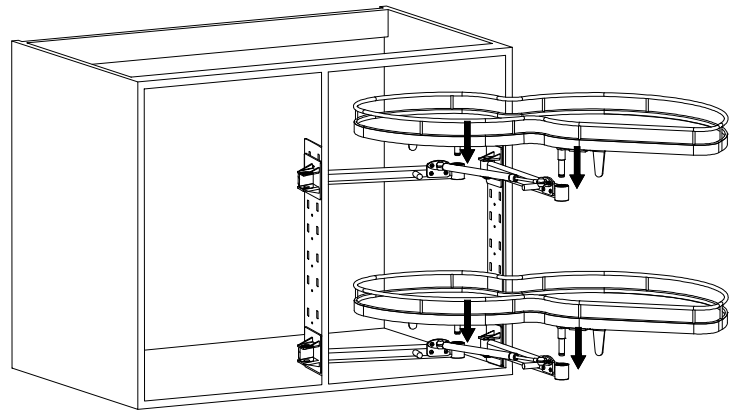
To adjust the position of the curve arm and straight bar



3. Mounting of gas spring and buffer



4. Fitting of the peanuts



5. Complete installation

