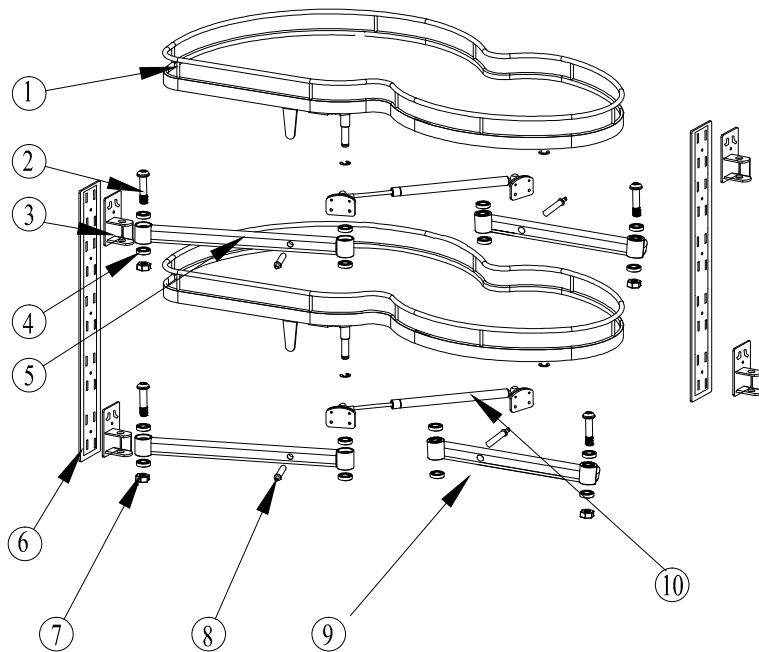


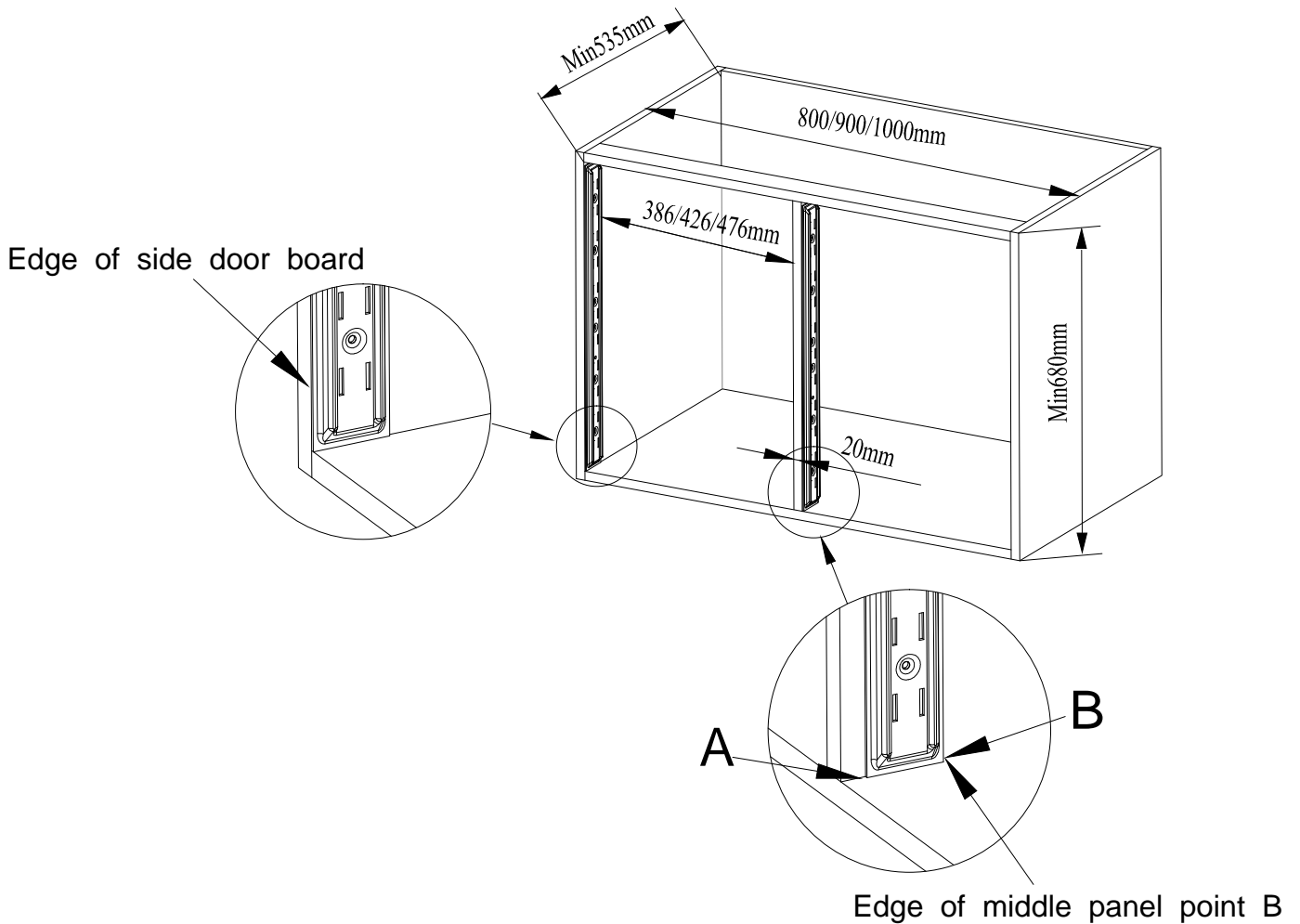
# Assembly instructions for Moving Peanut (Left) Exploded view



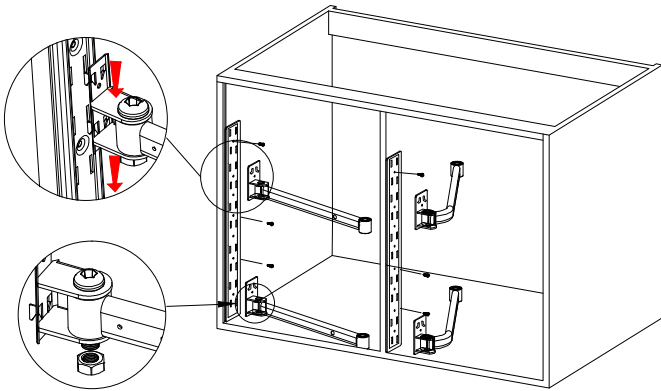
Cabinet	W	D	H
800	725	370	565
900	825	370	565
1000	925	370	565

No.	Name
1	Tray
2	Axis
3	Side Bracket
4	Bearing
5	Straight Bar
6	Fixed Plate
7	E Rings
8	Buffer
9	Curve Arm
10	Gas Spring

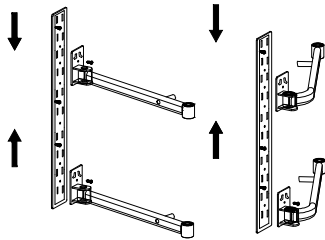
1. Locate screw and bolting position



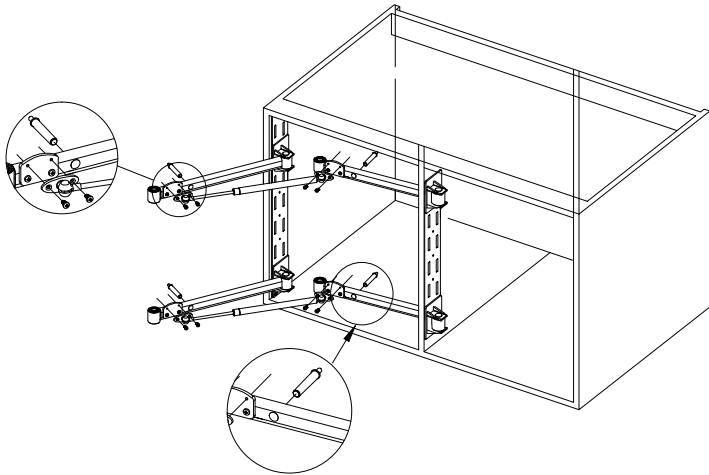
## 2. Mounting of arms and pole



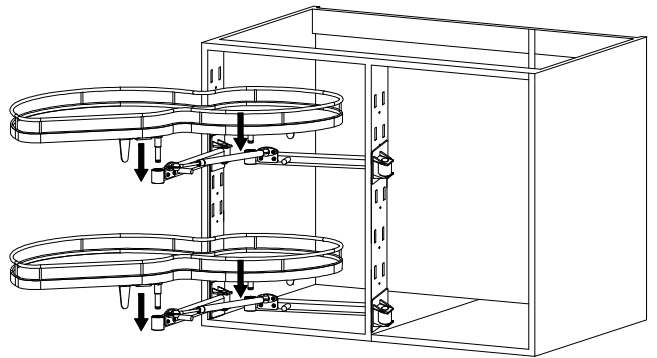
To adjust the position of the curve arm and straight bar



## 3. Mounting of gas spring and buffer



## 4. Fitting of the peanuts



## 5. Complete installation

