

LIFTING
SYSTEM

SQ Series

TOP-STAYS



TOP-STAYS

The new experience of the lift-up door

Agile and Unconstrained,
Innovation and Ingenuity



- A rigorous mechanical design, adjustable opening and hovering forces and closing speed
- A superb manufacturing process, gentle and quiet closing
- Stylish design with single and dual-colour cover caps



Quietness



Intelligence



Durability



Eco-Friendliness

Smooth and unconstrained, comfortable and elegant
— An entirely new experience of lift-up



The SQ lift-up support lifts the single door upwards making it suitable for wall cabinets as well as high cabinets.
 Places of application: Kitchen, living room, office and bathroom

- Opening angle 107°, making it possible to easily take without any constraint the articles inside the cabinet
- Silent and smooth closing
- Easy to open and stays at any desired position
- Adjustable soft-closing speed
- Adjustable opening and hovering forces
- Snap-fit mechanism makes installation and dismantling very easy
- Stylish design with single and dual-colour cover caps
- Suitable for wall cabinets with cornice
- High stability, even with wide doors

Opening and closing – Gentle and unconstrained



Easy to open Opening angle 107° Soft-closing and stays at any desired angle Seamless closing

The outstanding points



The unique adjustable closing speed Adjustable opening and hovering forces Door position: 3D adjustable Personal decorative cover

Customized cover caps

Single caps series



white grey

Dual-colour caps series



white+ light grey white+ nickel plated

Dual-colour caps series



grey+ dark grey grey+ nickel plated

PRODUCT



DESCRIPTION

- Opening angle:107°
- Cabinet width up to 1200mm
- Cabinet height:250~500mm
- Door thickness:16~28mm
- 3D door adjustments:
Height adjustment: +/-2mm,
Depth adjustment: +/-2mm,
Side adjustment: +/-2mm,
- Easy to open, and stays at any desired position
- Adjustable soft-closing speed
- Adjustable opening and hovering forces
- Tool free assembly and removal
- Single and dual-colour caps at your disposal

Power factor LF=

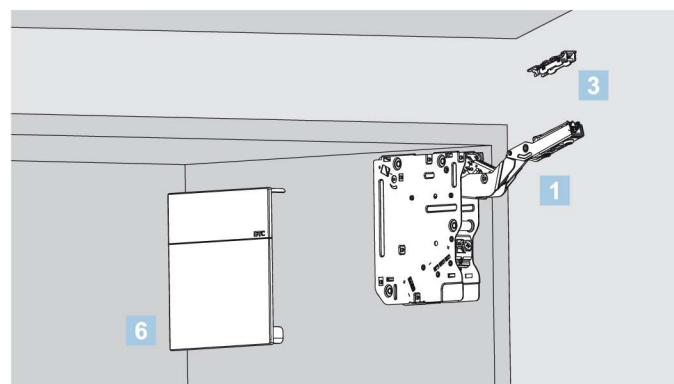
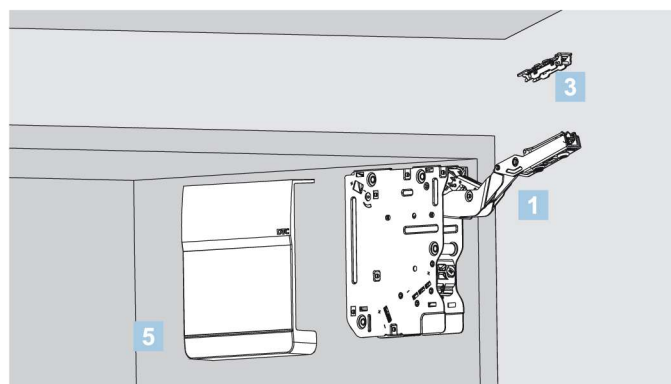
Cabinet height KH(mm) x door weight
incl. double handle weight(kg)

Note: The power factor LF and the door weight can be increased by 50% when a third lift mechanism is used.

ORDER INFORMATION

1	Lift Mechanism set/ Industrial Package Opening angle:107°			
	Power Factor LF	Dynamic	Item No.	Set/ctn
	580-1250	Light	SQ00AL	10
	960-2040	Medium	SQ00AM	10
	1800-3500	Strong	SQ00AH	10
3	Front Fixing-brackets set/Industrial Package For Wooden Door and Wide Alu Frames			
	Nickel Plated			
	Item No.	SQ00YQ		
	Set/ctn	200		
5	Single Caps(left/right) / Industrial Package			
	Colour	Item No.	Set/ctn	
	White	SQJS02A	20	
	Grey	SQJS02B	20	

2	Opening angle restriction clip / Industrial Package			
	Plastic			
	100°	Dark grey (H11)		
		Opening angle		Item No.
100°		SQW100		
75°		SQW75		
4	Narrow Alu Frame fixing-brackets set Industrial Package For Narrow Alu Frames			
	Nickel Plated(A01)			
	Item No.	SQ00H		
	Set/ctn	100		
	10 pcs Φ3.5X8.5mm countersunk screws included			
6	Dual-colour Caps(left/right) / Industrial Package			
	Colour	Item No.	Set/ctn	
	White+ light grey	SQJS01A	20	
	Grey+ dark grey	SQJS01B	20	
	White+ nickel plated	SQJS01C	20	
Grey+ nickel plated	SQJS01D	20		



ORDER INFORMATION

T1 Recommended Kit Package

Including:

1x lift mechanism set	1x white single caps set	1x front fixing-brackets set	8x wooden screws Ø4X38mm	4x wooden screws Ø4X16mm 4x countersunk screw

Please select the corresponding kit package item No. according to power factor and cabinet height

Power Factor(LF)	Cabinet Height	Kit package item No.
580-1250	250-400mm	SQ00AL02A
960-2040	400-500mm	SQ00AM02A
1800-3500	500mm	SQ00AH02A

T2 Recommended Kit Package

Including:

1x lift mechanism set	1x grey single caps set	1x front fixing-brackets set	8x wooden screws Ø4X38mm	4x wooden screws Ø4X16mm 4x countersunk screw

Please select the corresponding kit package item No. according to power factor and cabinet height

Power Factor(LF)	Cabinet Height	Kit package item No.
580-1250	250-400mm	SQ00AL02B
960-2040	400-500mm	SQ00AM02B
1800-3500	500mm	SQ00AH02B

T3 Recommended Kit Package

Including:

1x lift mechanism set	1x white+light grey dual-colour caps set	1x front fixing-brackets set	8x wooden screws Ø4X38mm	4x wooden screws Ø4X16mm 4x countersunk screw

Please select the corresponding kit package item No. according to power factor and cabinet height

Power Factor(LF)	Cabinet Height	Kit package item No.
580-1250	250-400mm	SQ00AL01A
960-2040	400-500mm	SQ00AM01A
1800-3500	500mm	SQ00AH01A

T4 Recommended Kit Package

Including:

1x lift mechanism set	1x grey+dark grey dual-colour caps set	1x front fixing-brackets set	8x wooden screws Ø4X38mm	4x wooden screws Ø4X16mm 4x countersunk screw

Please select the corresponding kit package item No. according to power factor and cabinet height

Power Factor(LF)	Cabinet Height	Kit package item No.
580-1250	250-400mm	SQ00AL01B
960-2040	400-500mm	SQ00AM01B
1800-3500	500mm	SQ00AH01B

T5 Recommended Kit Package

Including:

1x lift mechanism set	1x white+nickel plated dual-colour caps set	1x front fixing-brackets set	8x wooden screws Ø4X38mm	4x wooden screws Ø4X16mm 4x countersunk screw

Please select the corresponding kit package item No. according to power factor and cabinet height

Power Factor(LF)	Cabinet Height	Kit package item No.
580-1250	250-400mm	SQ00AL01C
960-2040	400-500mm	SQ00AM01C
1800-3500	500mm	SQ00AH01C

T6 Recommended Kit Package

Including:

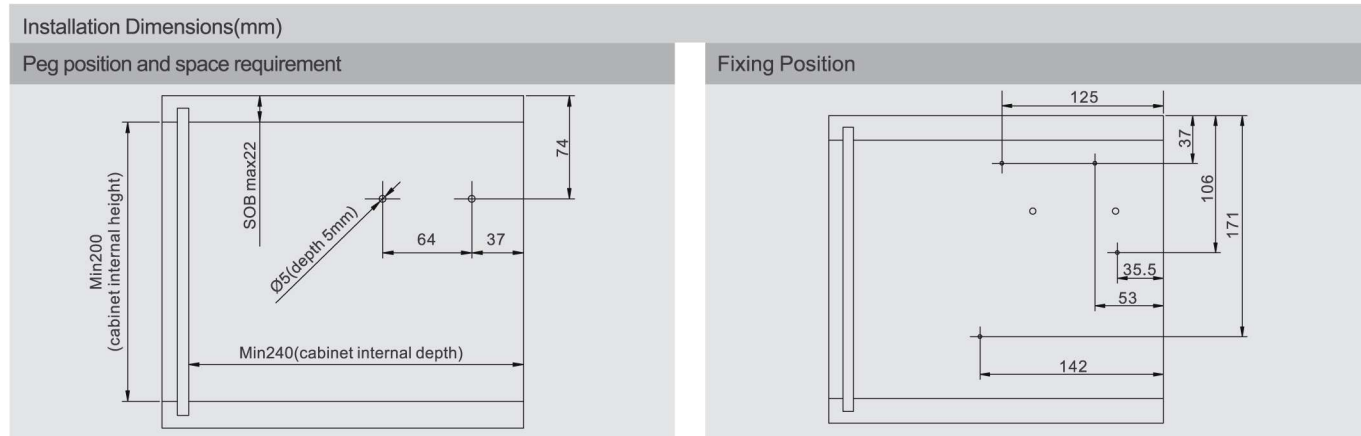
1x lift mechanism set	1x grey+nickel plated dual-colour caps set	1x front fixing-brackets set	8x wooden screws Ø4X38mm	4x wooden screws Ø4X16mm 4x countersunk screw

Please select the corresponding kit package item No. according to power factor and cabinet height

Power Factor(LF)	Cabinet Height	Kit package item No.
580-1250	250-400mm	SQ00AL01D
960-2040	400-500mm	SQ00AM01D
1800-3500	500mm	SQ00AH01D

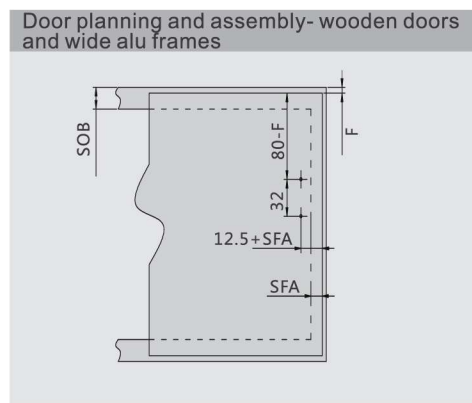
In the case of narrow alu frame application, order fixing-brackets SQ00H separately.

PLANNING

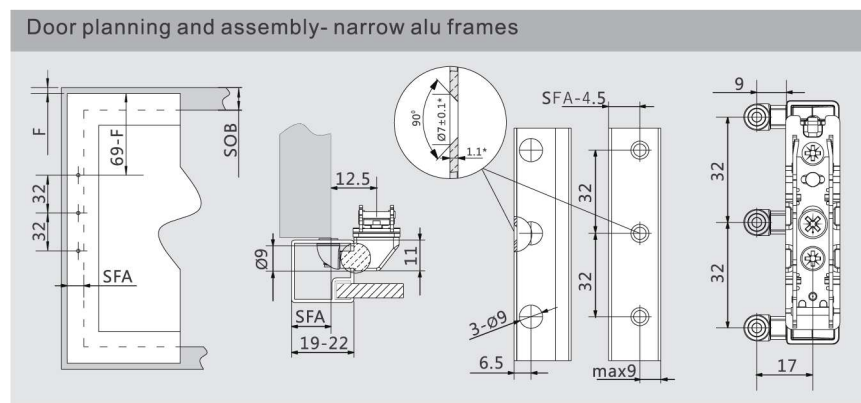


SOB: top panel thickness

4x wooden screws Ø4X38mm

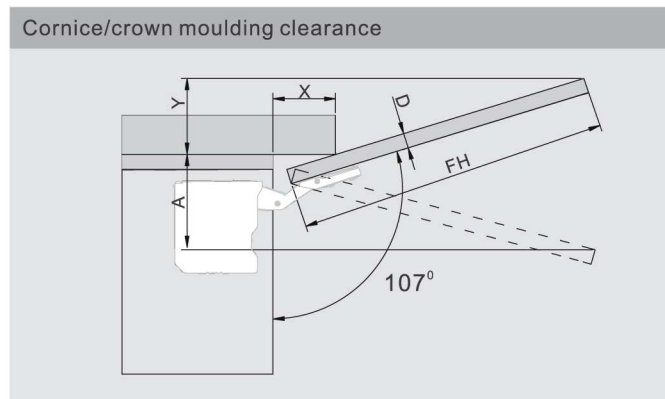


4 wooden screws for wooden doors (Ø4X16mm)
4 countersunk screws for wide alu frames (M4X11mm)
SFA: door overlay of the side panel
F: gap

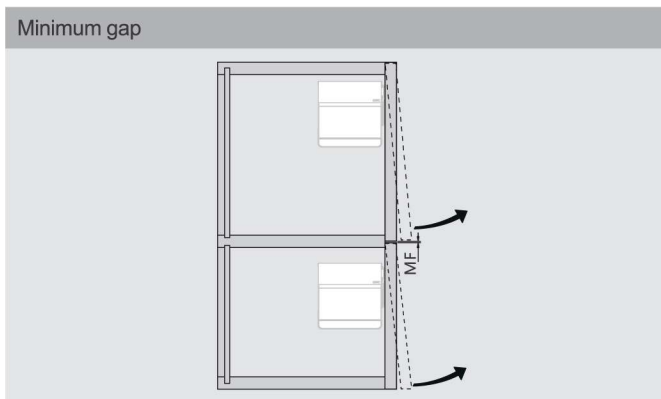


Frame width(mm)	19	20	21	22
SFA(mm)	15~19	16~20	17~21	18~22

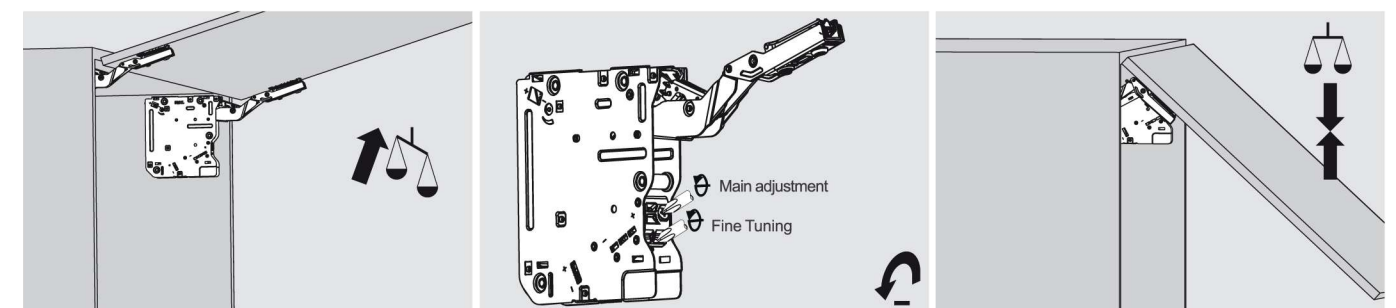
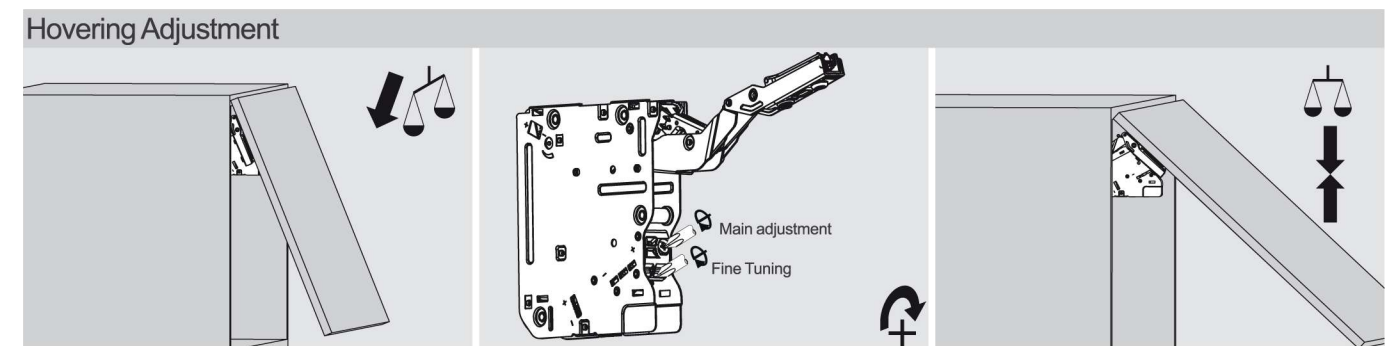
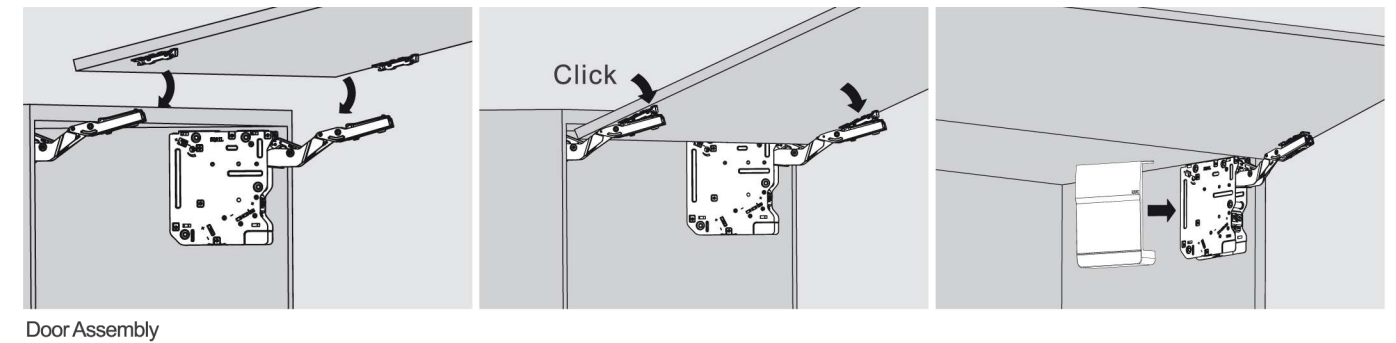
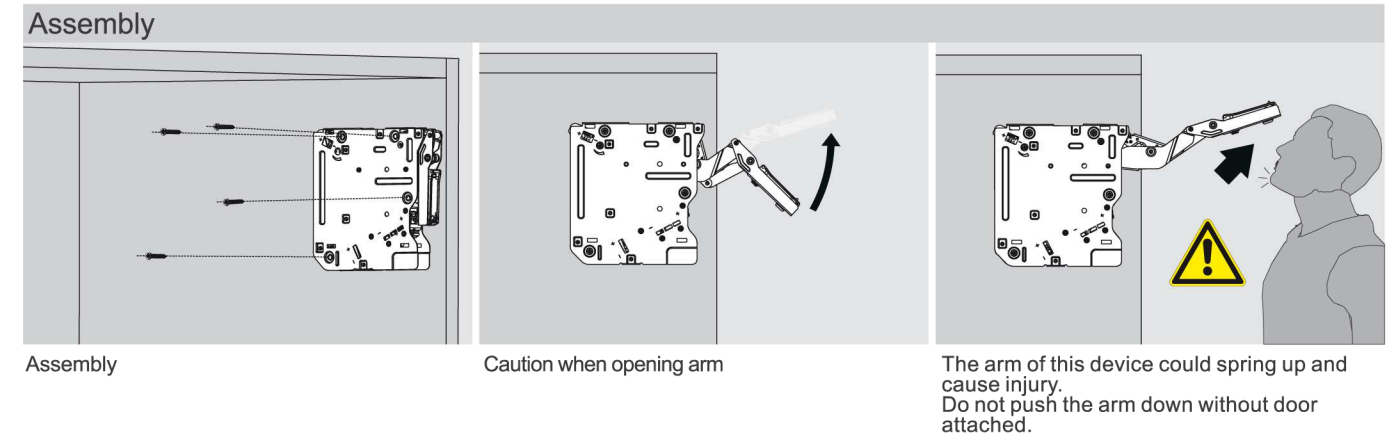
10 countersunk screws for narrow alu frames (Φ3.5X8.5mm)
*When changing material thickness, adjust the assembly dimensions accordingly

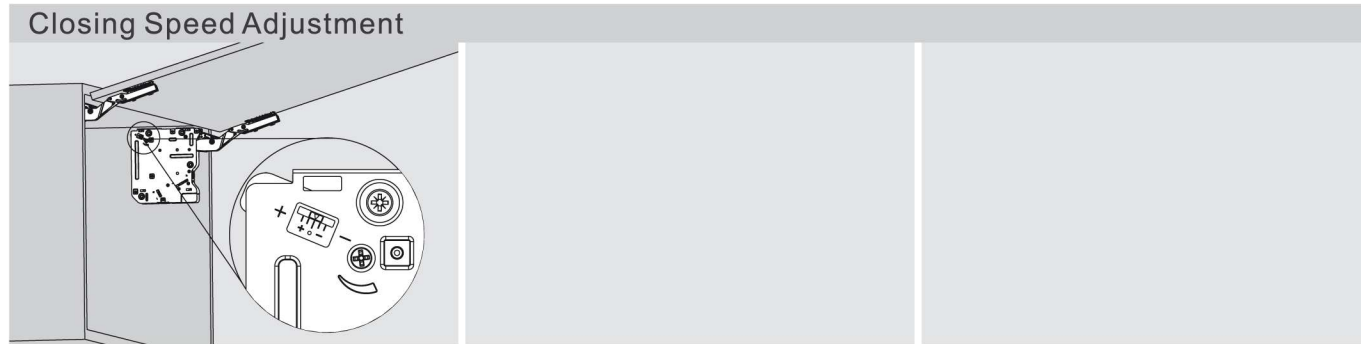


D(mm)	16	19	22	26	28
X(mm)	70	58	49	35	26
Opening angle restriction	Space requirement (mm)				
without	$Y = FH \times 0.29 - 15 + D$				
100°	$Y = FH \times 0.17 - 15 + D$				
75°	$A = FH \times 0.26 + 15 - D$				

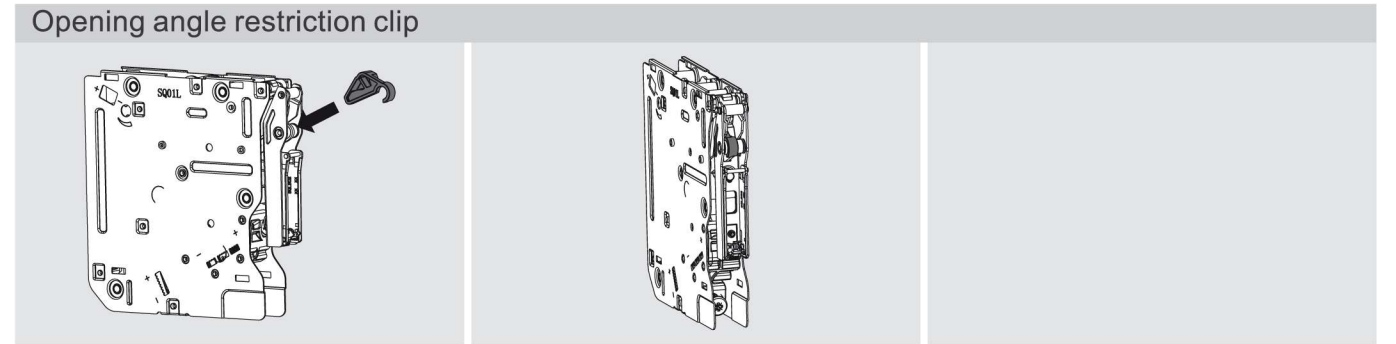


MF: Minimum gap 2mm

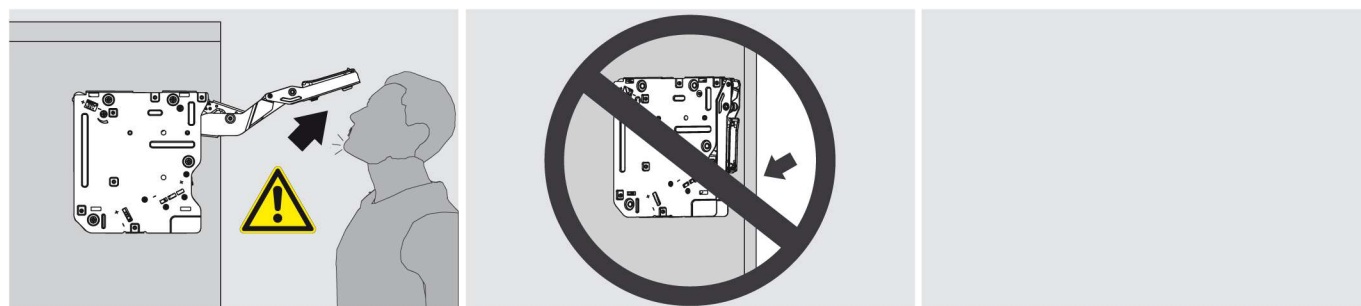
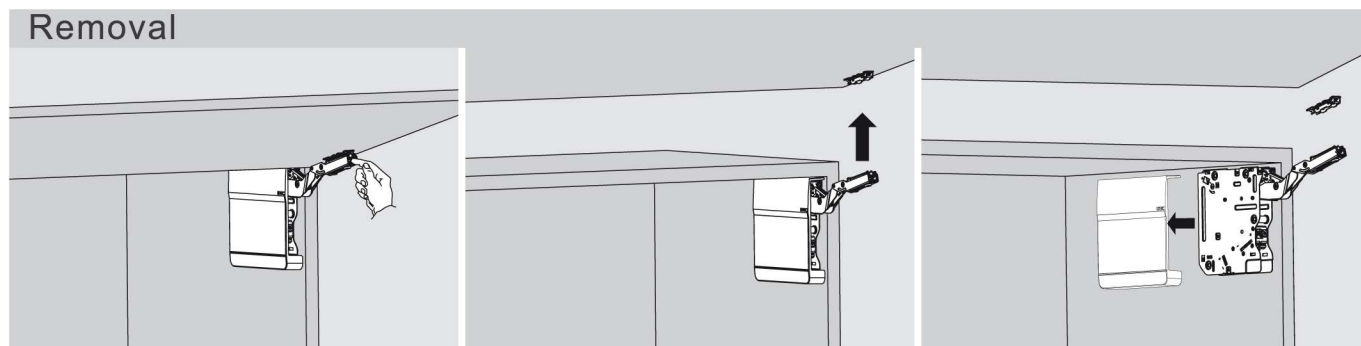
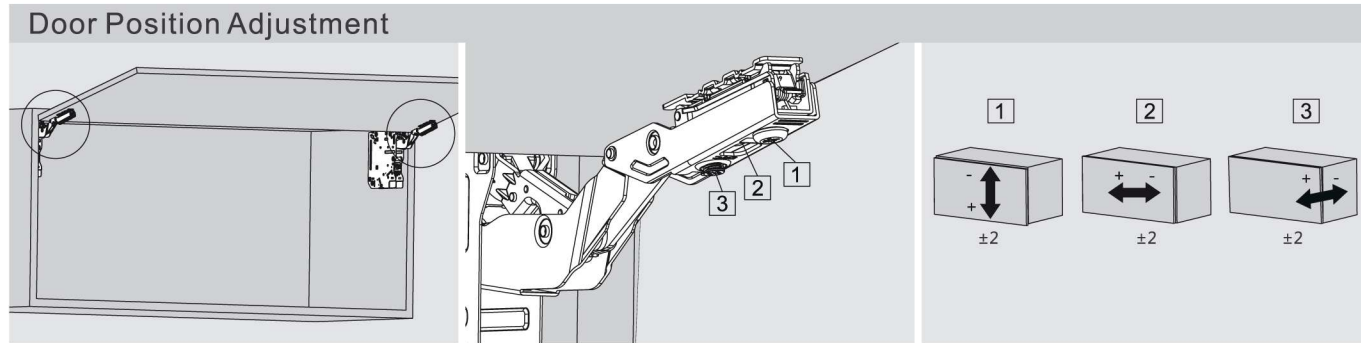




"+" increasing soft-closing time (turn adjustment screw counter-clockwise)
 "-" reducing soft-closing time (turn adjustment screw clockwise)

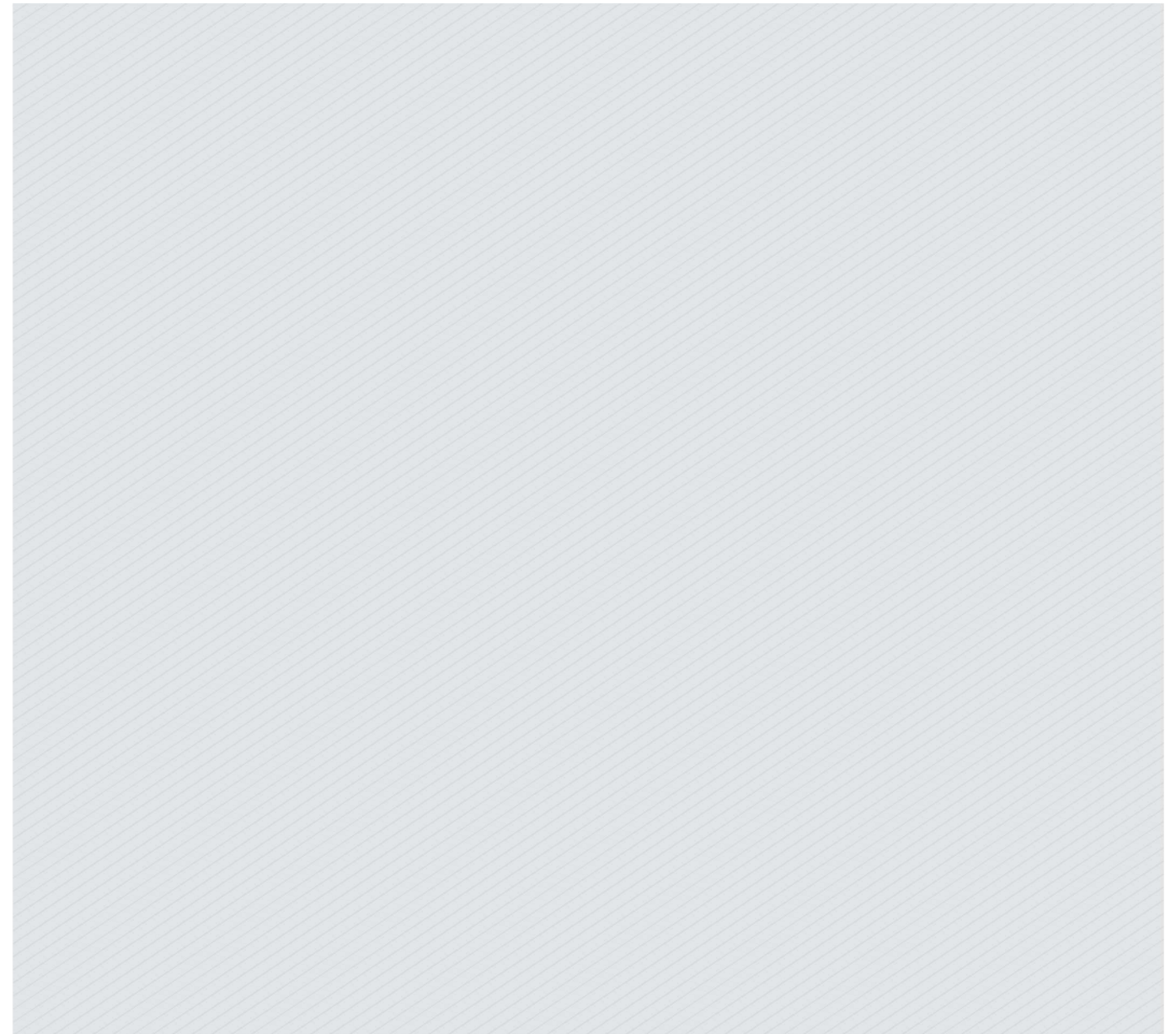


Assembly



The arm of this device could spring up and cause injury!

Do not push the arm down without door attached



LIFTING
SYSTEM

SF Series

TOP-STAYS



TOP-STAYS

The new experience of the lift-up door

Agile and Unconstrained,
Enjoy Quality Life



- Closing speed adjustable, easy to open and stays at any desired position, silent and smooth closing
- Snap-fit mechanism makes installation and dismantling very easy
- High stability, wide application, provide ideal opening and shutting effects for door panels with various dimensions and made of various materials.



Quietness



Intelligence



Durability



Eco-Friendliness

PRODUCT



DESCRIPTION

- Opening angle: 107° / 100°
- Cabinet width up to 1800mm
- Cabinet height: 250~700mm
- Door thickness: 16~28mm
- 3D door adjustments:
Height adjustment: +/-2mm,
Depth adjustment: +/-2mm,
Side adjustment: +/-2mm,
- Easy to open, and stays at any desired position
- Adjustable soft-closing speed
- Adjustable opening and hovering forces
- Tool free assembly and removal
- Single and dual-colour caps at your disposal

Power factor LF=

Cabinet height KH(mm) x door weight incl. double handle weight(kg)

Note: The power factor LF and the door weight can be increased by 50% when a third lift mechanism is used.

ORDER INFORMATION

1	Lift Mechanism set/ Industrial Package				
	Power Factor LF	Dynamic	Opening angle	Item No.	Set/ctn
	480-1500	Extra Light	107°	SF00AD	10
	750-2500	Light	107°	SF00AL	10
	1500-4900	Medium	107°	SF00AM	10
	3200-9000	Strong	100°	SF00AH	10

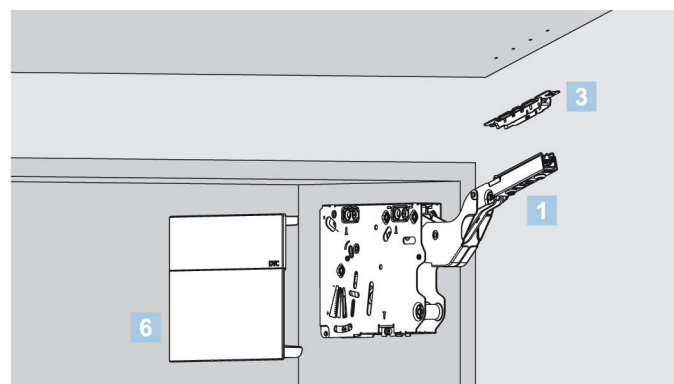
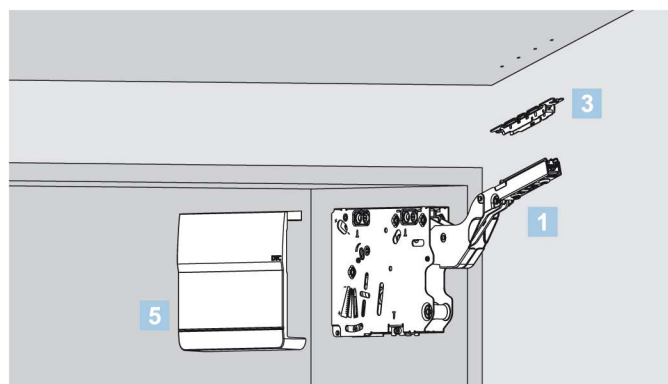
2	Opening angle restriction clip / Industrial Package		
	Opening angle	Item No.	Pcs/ctn
	100°	SFW100	1000
	75°	SFW75	1000

3	Front Fixing-brackets set/Industrial Package For Wooden Door and Wide Alu Frames	
	Item No.	Set/ctn
	SF00YQ	200

4	Narrow Alu Frame fixing-brackets set Industrial Package For Narrow Alu Frames		
	Item No.	Set/ctn	
	SF00H	100	
	16 pcs Φ3.5X8.5mm countersunk screws included		

5	Single Caps(left/right) / Industrial Package		
	Colour	Item No.	Set/ctn
	White	SFJS02A	20
	Grey	SFJS02B	20

6	Dual-colour Caps(left/right) / Industrial Package		
	Colour	Item No.	Set/ctn
	White+ light grey	SFJS01A	20
	Grey+ dark grey	SFJS01B	20
	White+ nickel plated	SFJS01C	20
	Grey+ nickel plated	SFJS01D	20



ORDER INFORMATION

T1	Recommended Kit Package				
Including:					
1x lift mechanism set	1x white single caps set	1x front fixing-brackets set	10x wooden screws Ø4X35mm	8x wooden screws Ø4X16mm	8x countersunk screws
Please select the corresponding kit package item No. according to power factor and cabinet height					
Power Factor(LF)	Cabinet Height	Kit package item No.			
480-1500	250-500mm	SF00AD02A			
750-2500	250-500mm	SF00AL02A			
1500-4900	350-500mm	SF00AM02A			
3200-9000	400-700mm	SF00AH02A			

T2	Recommended Kit Package				
Including:					
1x lift mechanism set	1x grey single caps set	1x front fixing-brackets set	10x wooden screws Ø4X35mm	8x wooden screws Ø4X16mm	8x countersunk screws
Please select the corresponding kit package item No. according to power factor and cabinet height					
Power Factor(LF)	Cabinet Height	Kit package item No.			
480-1500	250-500mm	SF00AD02B			
750-2500	250-500mm	SF00AL02B			
1500-4900	350-500mm	SF00AM02B			
3200-9000	400-700mm	SF00AH02B			

T3	Recommended Kit Package				
Including:					
1x lift mechanism set	1x white+light grey dual-colour caps set	1x front fixing-brackets set	10x wooden screws Ø4X35mm	8x wooden screws Ø4X16mm	8x countersunk screws
Please select the corresponding kit package item No. according to power factor and cabinet height					
Power Factor(LF)	Cabinet Height	Kit package item No.			
480-1500	250-500mm	SF00AD01A			
750-2500	250-500mm	SF00AL01A			
1500-4900	350-500mm	SF00AM01A			
3200-9000	400-700mm	SF00AH01A			

T4	Recommended Kit Package				
Including:					
1x lift mechanism set	1x grey+dark grey dual-colour caps set	1x front fixing-brackets set	10x wooden screws Ø4X35mm	8x wooden screws Ø4X16mm	8x countersunk screws
Please select the corresponding kit package item No. according to power factor and cabinet height					
Power Factor(LF)	Cabinet Height	Kit package item No.			
480-1500	250-500mm	SF00AD01B			
750-2500	250-500mm	SF00AL01B			
1500-4900	350-500mm	SF00AM01B			
3200-9000	400-700mm	SF00AH01B			

T5	Recommended Kit Package				
Including:					
1x lift mechanism set	1x white+nickel plated dual-colour caps set	1x front fixing-brackets set	10x wooden screws Ø4X35mm	8x wooden screws Ø4X16mm	8x countersunk screws
Please select the corresponding kit package item No. according to power factor and cabinet height					
Power Factor(LF)	Cabinet Height	Kit package item No.			
480-1500	250-500mm	SF00AD01C			
750-2500	250-500mm	SF00AL01C			
1500-4900	350-500mm	SF00AM01C			
3200-9000	400-700mm	SF00AH01C			

T6	Recommended Kit Package				
Including:					
1x lift mechanism set	1x grey+nickel plated dual-colour caps set	1x front fixing-brackets set	10x wooden screws Ø4X35mm	8x wooden screws Ø4X16mm	8x countersunk screws
Please select the corresponding kit package item No. according to power factor and cabinet height					
Power Factor(LF)	Cabinet Height	Kit package item No.			
480-1500	250-500mm	SF00AD01D			
750-2500	250-500mm	SF00AL01D			
1500-4900	350-500mm	SF00AM01D			
3200-9000	400-700mm	SF00AH01D			

In the case of narrow alu frame application, order fixing-brackets SF00H separately.

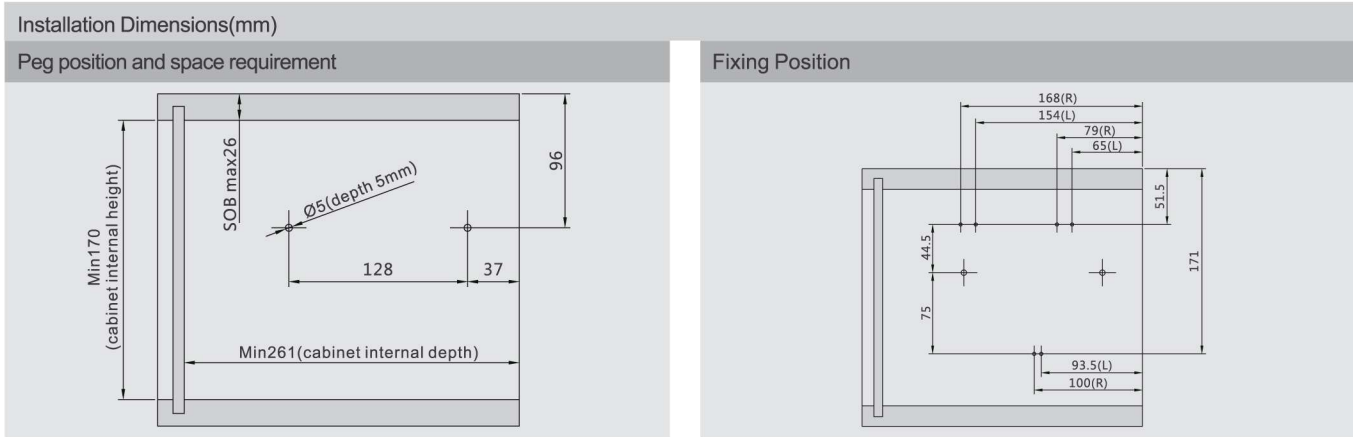
TOP-STAYS

SF Series Lifting System

TOP-STAYS

Assembly , Removal and Adjustment(for SF series Lifting System)

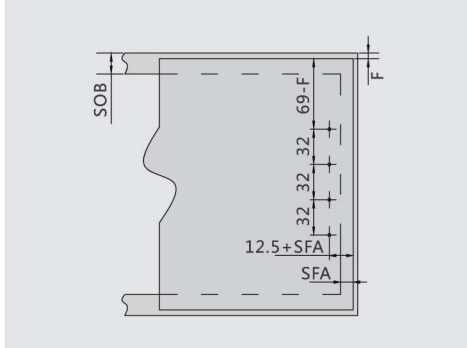
PLANNING



SOB: top panel thickness

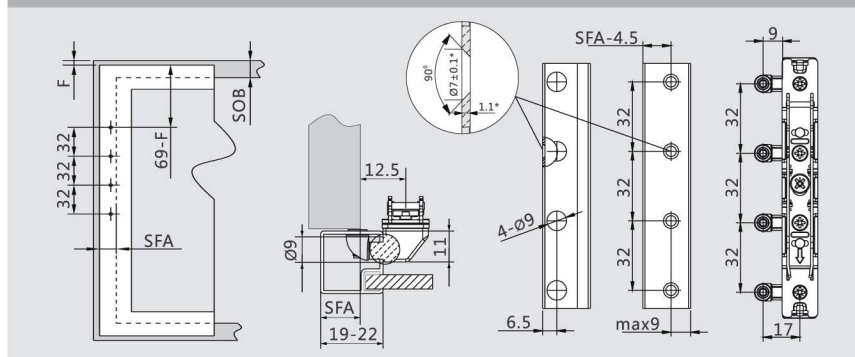
3x wooden screws Ø4X35mm

Door planning and assembly- wooden doors and wide alu frames



8 wooden screws for wooden doors (Ø4X16mm)
8 countersunk screws for wide alu frames (M4X11mm)
SFA: door overlay on the side panel
F: gap

Door planning and assembly- narrow alu frames

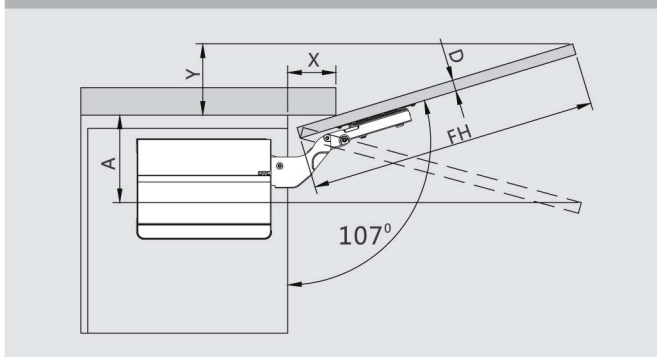


Frame width(mm)	19	20	21	22
SFA(mm)	15~19	16~20	17~21	18~22

16 countersunk screws for narrow alu frames (Φ3.5X8.5mm)

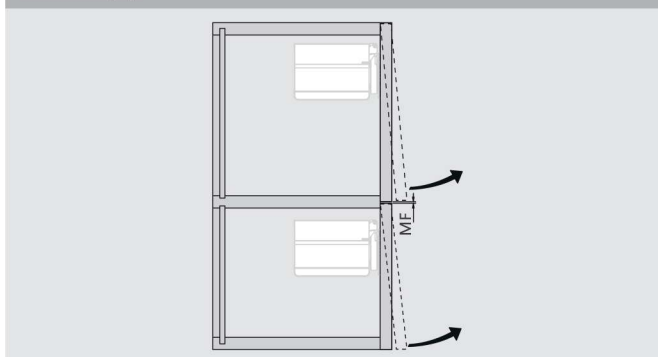
*When changing material thickness, adjust the assembly dimensions accordingly

Cornice/crown moulding clearance



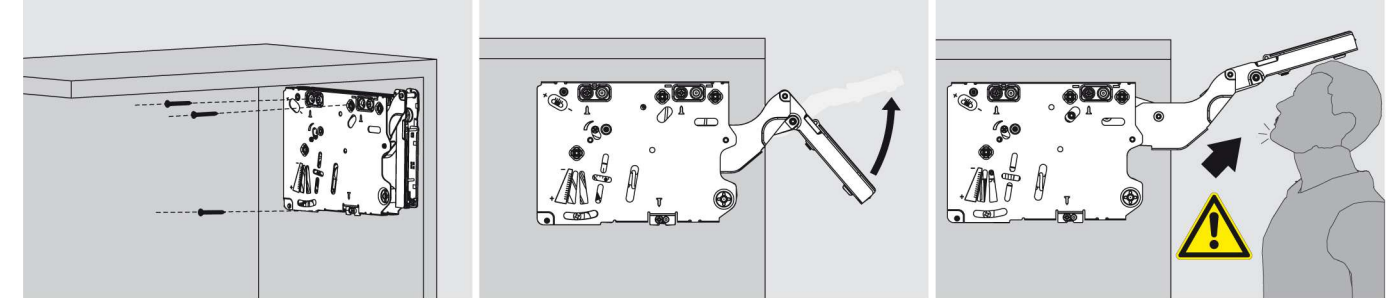
D(mm)	16	19	22	26	28
X(mm)	70	58	49	35	26
Opening angle restriction	Space requirement (mm)				
without	$Y = FH \times 0.29 - 15 + D$				
100°	$Y = FH \times 0.17 - 15 + D$				
75°	$A = FH \times 0.26 + 15 - D$				

Minimum gap



MF: Minimum gap 2mm

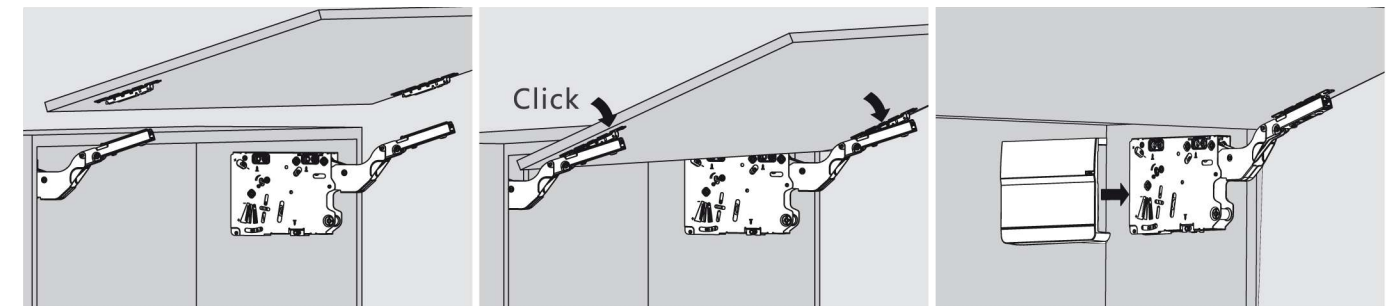
Assembly



Assembly

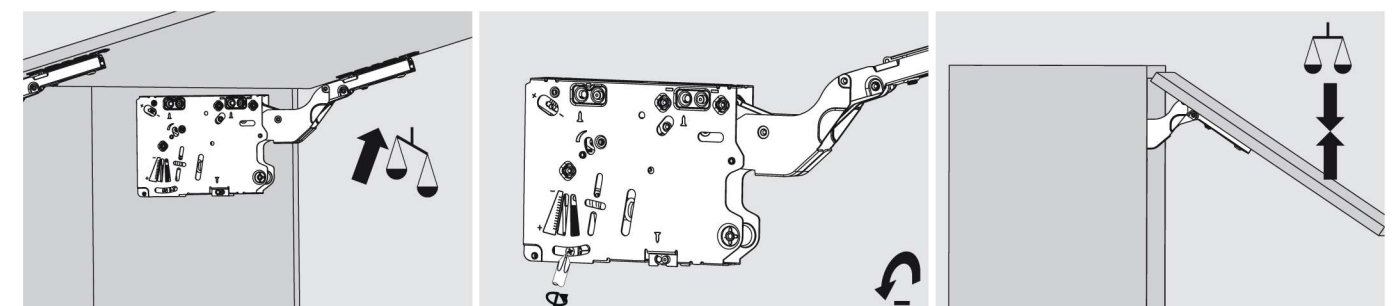
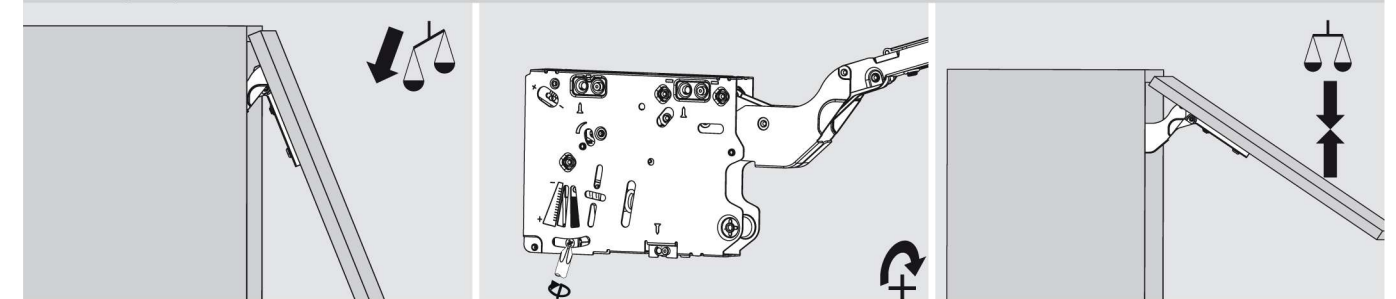
Caution when opening arm

The arm of this device could spring up and cause injury. Do not push the arm down without door attached.



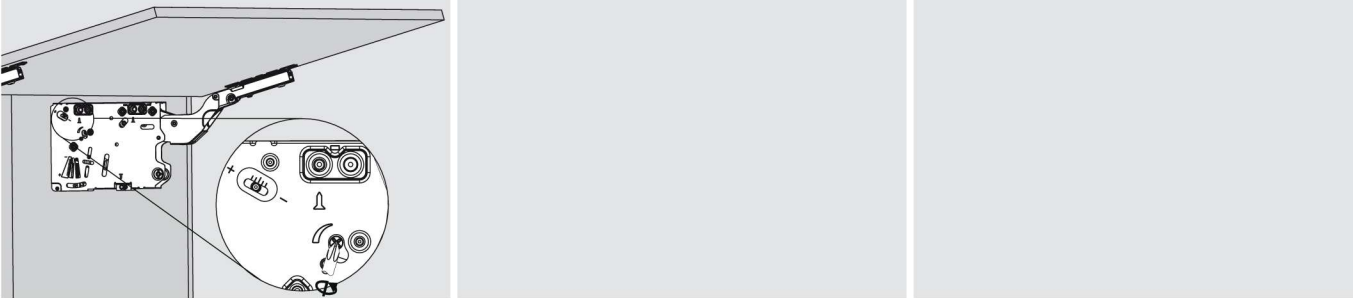
Door Assembly

Hovering Adjustment



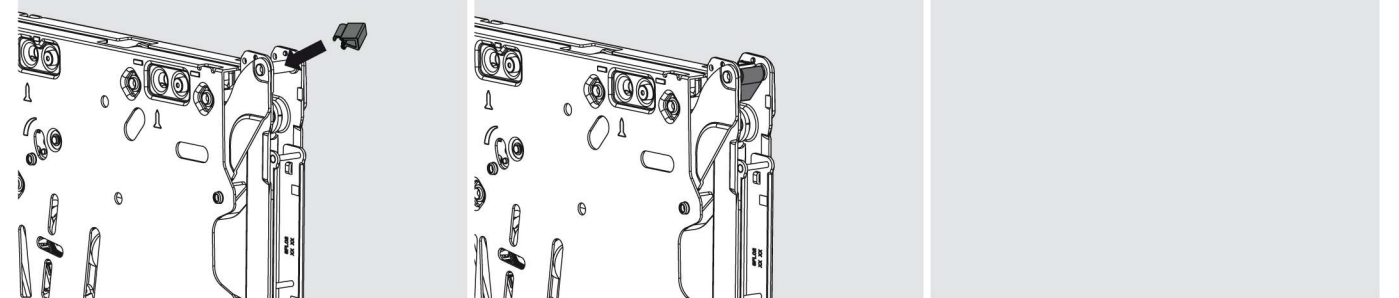


Closing Speed Adjustment



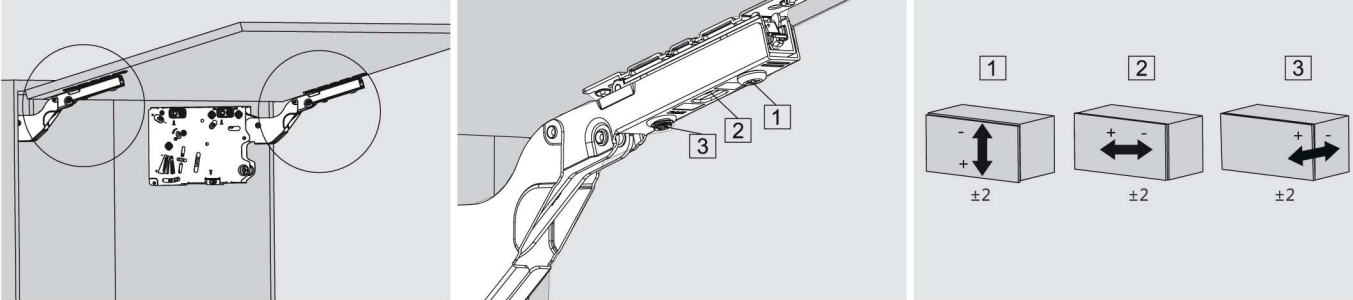
"+" increasing soft-closing time (turn adjustment screw counter-clockwise)
 "-" reducing soft-closing time (turn adjustment screw clockwise)

Opening angle restriction clip

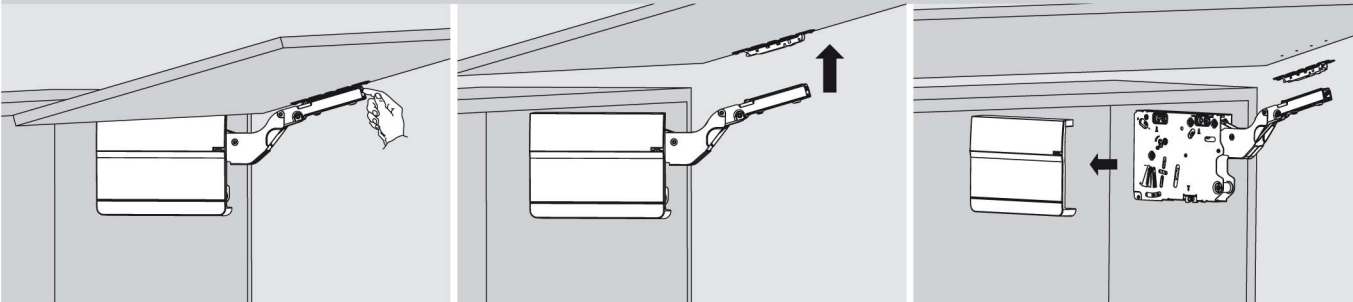


Assembly

Door Position Adjustment

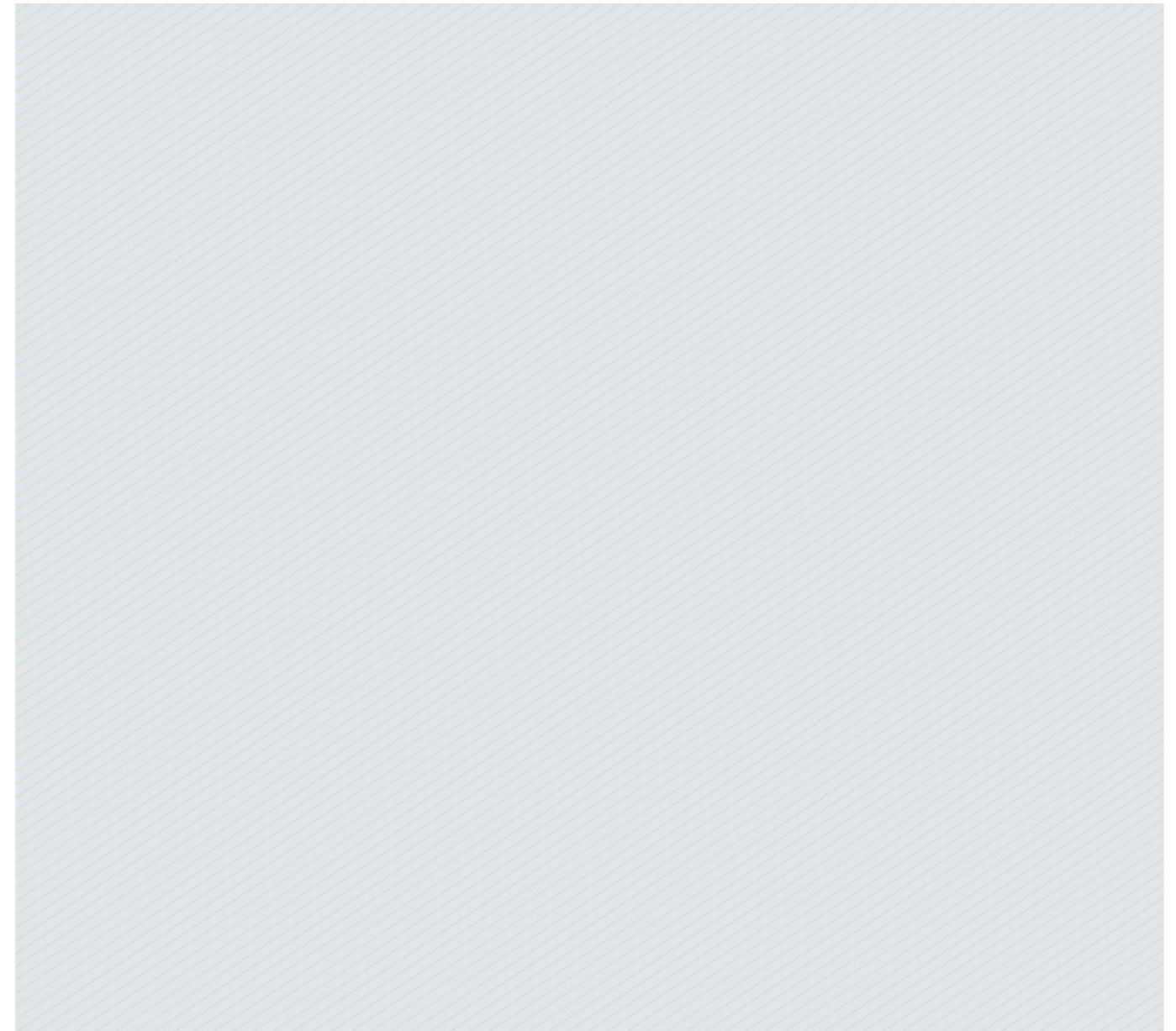


Removal



The arm of this device could spring up and cause injury!

Do not push the arm down without door attached



LIFTING
SYSTEM

ST Series
TOP-STAYS



TOP-STAYS

The new experience of the lift-up door

**Agile and Unconstrained,
Impressive and Elegant**



- Easy to open and stays at any desired position, silent and smooth closing, full access to the inside of the cabinet
- Side, height and depth adjustments - 3D front adjustment of both fronts
- Tool free assembly and removal, easy and fast installation



Quietness



Intelligence



Durability



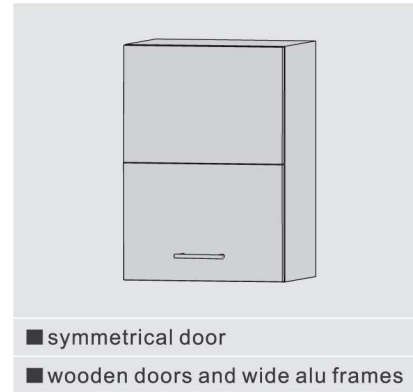
Eco-Friendliness

PRODUCT



DESCRIPTION

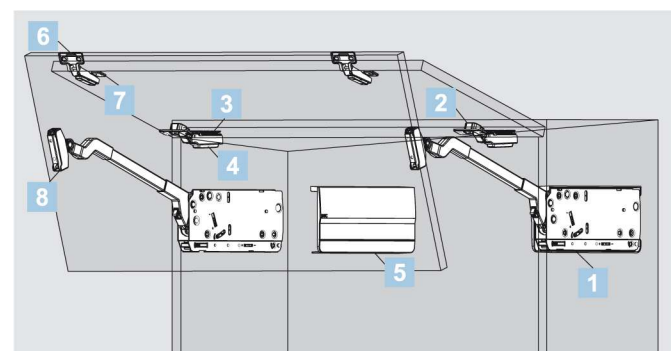
- Cabinet width up to 1800mm
- Cabinet height:480~1040mm
- Door thickness:16~26mm
- 3D front adjustment of both fronts
- Easy to open, and stays at any desired position
- Adjustable soft-closing speed
- Adjustable opening and hovering forces
- Tool free assembly and removal



ORDER INFORMATION

1		Lift Mechanism set/ Industrial Package 6 Set/ctn
Cabinet height KH(mm)	Door weight incl handle weight (kg)	Item No.
480-529	5.0-10.0(2.5-5.0 to use 1 lift)	ST01AL ST01AM
530-589	4.5-8.9(2.3-4.5 to use 1 lift)	ST02AL ST02AM
590-649	4.1-8.1 (2.0-4.1 to use 1 lift)	ST03AL ST03AM
650-729	3.7-7.2 (1.8-3.7 to use 1 lift)	ST04AL ST04AM ST04AH ST05AL
730-799	6.3-10.6 10.5-18.1(15.7-27.1 to use 3 lift)	ST05AM ST05AH
800-879	5.8-9.6 9.5-16.5(14.2-24.7 to use 3 lift)	ST06AM ST06AH
880-959	5.2-8.8 8.7-15.1(13.0-22.6 to use 3 lift)	ST07AM ST07AH
960-1040	4.8-8.1 8.0-13.9(12.0-20.8 to use 3 lift)	ST08AM ST08AH
6		Centre hinge /Industrial Package Nickel Plated(A01)
	Item No.	ST00BG
	Set/ctn	100
7		Mounting plate for centre hinge/Industrial Package Nickel Plated(A01)
	Item No.	T00TQ
	Set/ctn	100
8		Front Mounting plate /Industrial Package Nickel Plated(A01)
	Item No.	ST00YQ
	Set/ctn	200

2		120° hinge/Industrial Package Nickel Plated(A01)	
	Item No.	STA685	
	Set/ctn	100	
3		Mounting plate for 120° hinge/Industrial Package Nickel Plated(A01)	
	Item No.	SQ00YQ	
	Set/ctn	200	
4		Decoration cover for hinge arm /Industrial Package Nickel Plated(A01)	
	Item No.	S15H	
	Set/ctn	1000	
5		Cover cap set/Industrial Package plastic	
	Colour	Item No.	Set/ctn
	White	STJS02A	20
	Grey	STJS02B	20
9		Opening angle restriction clip/Industrial Package Plastic	
	Dark grey (H11)		
100°	Opening angle	Item No.	Pcs/ctn
	100°	STW100	1000
83°	83°	STW83	1000



ORDER INFORMATION

T1 Recommended Kit Package

Including:

1x Lift mechanism set	1 X Cover cap set	1 X 120° hinge set	1 X Mounting plate set for 120° hinge	1 X Decoration cover set for hinge arm
1 X Centre hinge set	1X Mounting plate set for centre hinge	1 X Front mounting plate set	20X16mm wooden screws 10X38mm wooden screws	

Please select the corresponding kit package item No. according to cabinet height ,door weight and handle weight

Cabinet height KH(mm)	Door weight incl handle weight (kg)	Kit package item No. (White cap)	Kit package item No. (Grey cap)
480-529	5.0-10.0	ST01AL02A	ST01AL02B
	9.6-16.0	ST01AM02A	ST01AM02B
530-589	4.5-8.9	ST02AL02A	ST02AL02B
	8.7-14.4	ST02AM02A	ST02AM02B
590-649	4.1-8.1	ST03AL02A	ST03AL02B
	7.8-13.0	ST03AM02A	ST03AM02B
650-729	3.7-7.2	ST04AL02A	ST04AL02B
	7.0-11.6	ST04AM02A	ST04AM02B
	11.5-19.8	ST04AH02A	ST04AH02B
730-799	3.2-6.5	ST05AL02A	ST05AL02B
	6.3-10.6 10.5-18.1	ST05AM02A ST05AH02A	ST05AM02B ST05AH02B
800-879	5.8-9.6	ST06AM02A	ST06AM02B
	9.5-16.5	ST06AH02A	ST06AH02B
880-959	5.2-8.8	ST07AM02A	ST07AM02B
	8.7-15.1	ST07AH02A	ST07AH02B
960-1040	4.8-8.1	ST08AM02A	ST08AM02B
	8.0-13.9	ST08AH02A	ST08AH02B

TOP-STAYS

ST Series Bi-fold Lifting System

TOP-STAYS

Assembly , Removal and Adjustment(for ST series Bi-fold Lifting System)

PLANNING

Installation Dimensions(mm)-Symmetrical doors

Peg position and space requirement

Door assembly-wooden doors and wide alu frames

Cornice / crown moulding clearance

*Installation position of handle

Cabinet height KH(mm)	H(mm)
480-589	KHx0.3-28
590-1040	KHx0.3-57
E.G. Cabinet height KH=500 H=500x0.3-28=122 Cabinet height KH=800 H=800x0.3-57=183	

Cabinet height KH(mm)	X(mm)		E.G. Cabinet height KH=600 H=600x0.3-57=123 S=356 (see table below) Gap F=2 X=600-123-356-2=119				
480-1040	KH-H-S-F						
Cabinet height KH(mm)	S(mm)	A(°)	B(mm)	C(mm)	Q(mm)	Y(mm)	
480-529	301	~115-105	109-156	257-210	278-323	109-76	
530-589	326	~115-105	123-180	280-223	300-354	121-77	
590-649	356	~115-105	141-194	308-224	327-384	132-84	
650-729	386	~115-102	160-228	335-226	355-428	144-74	
730-799	426	~115-105	181-250	372-293	390-450	162-108	
800-879	461	~115-105	202-280	404-318	422-494	176-115	
880-959	501	~115-105	225-301	440-361	458-529	194-134	
960-1040	541	~115-105	245-335	476-405	493-566	214-148	

SFA=Door overlay on the side panel
F=Gap

Installation Dimensions(mm)

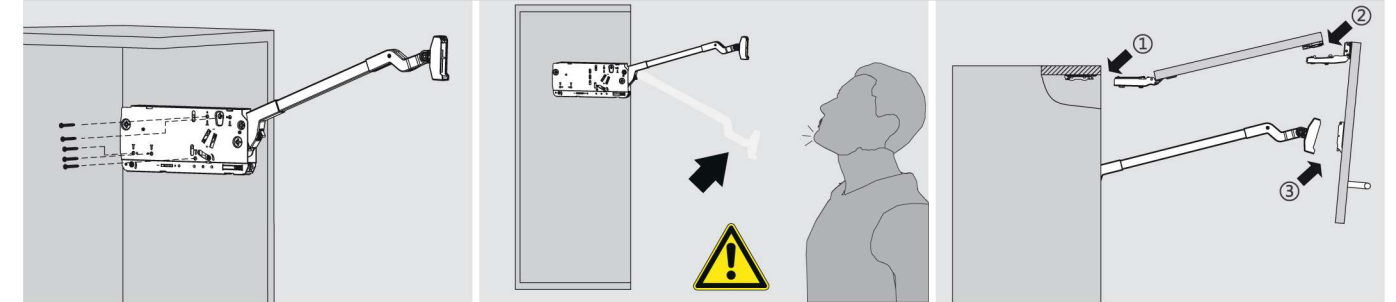
Centre hinge

120° Hinge

Number of hinges needed for each door:
Use 3 hinge for cabinet width over 1200mm and door weight over 12kg.
Use 4 hinge for cabinet width over 1800mm and door weight over 20kg.

Drilling distance K(mm)	3	4	5	6
Door overlay D(mm)	15	16	17	18

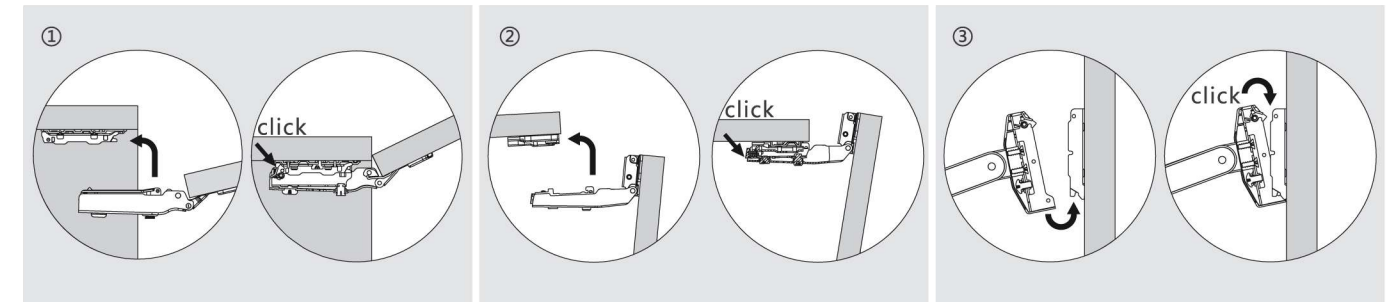
Assembly



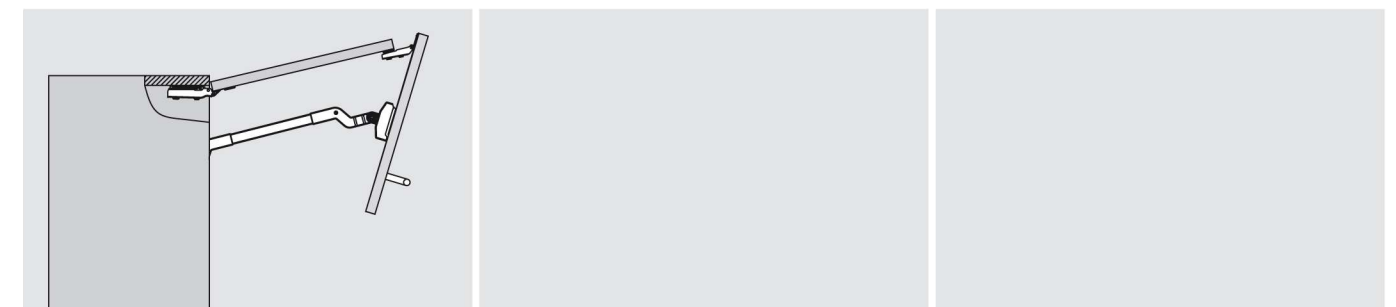
Assembly

The arm of this device could spring up and cause injury.
Do not push the arm down without door attached.

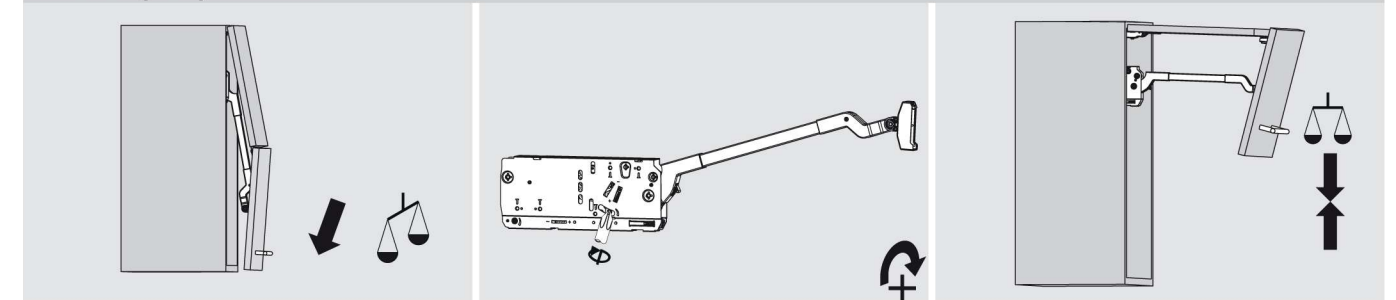
Door Assembly



Door Assembly



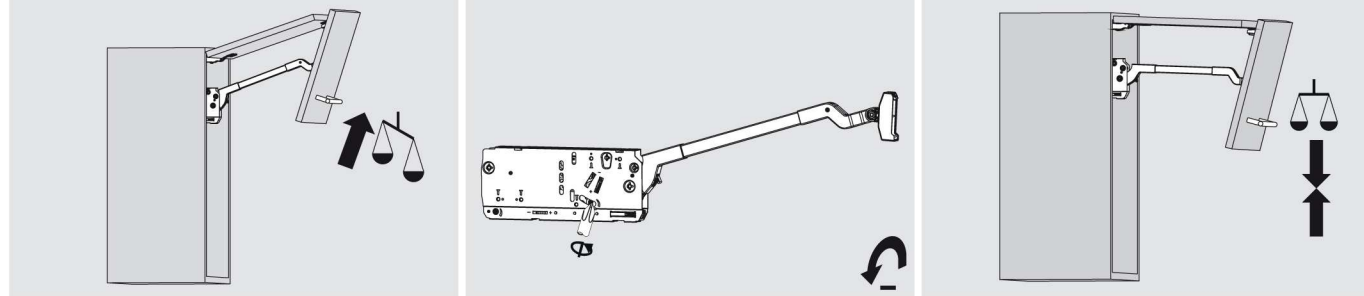
Hovering Adjustment



Adjustment

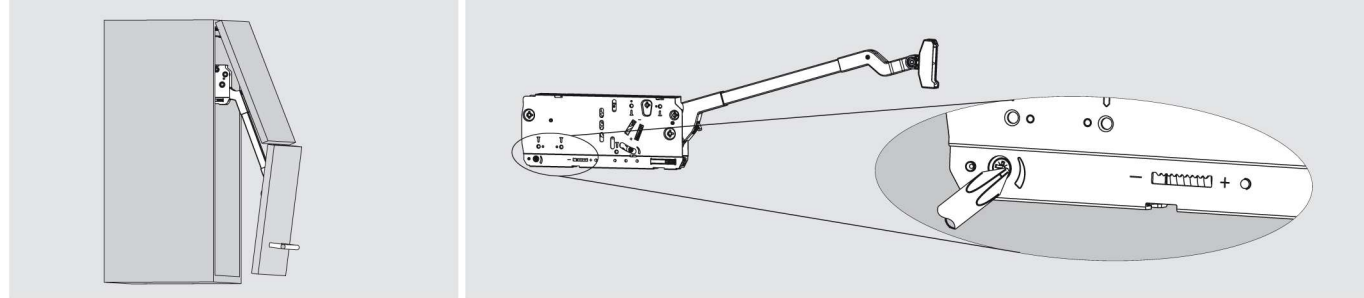


Hovering Adjustment



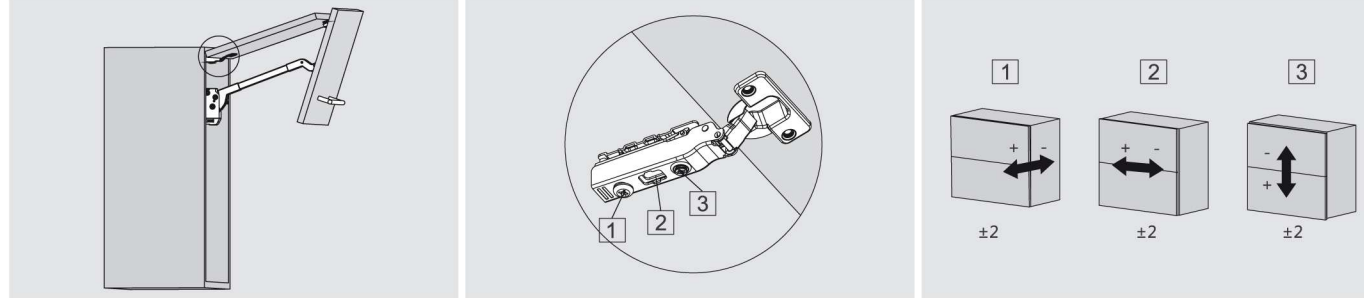
Adjustment

Closing Speed Adjustment



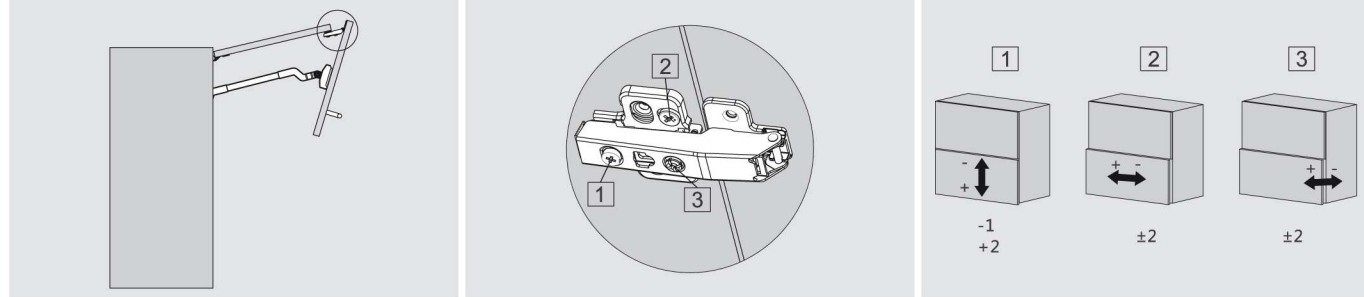
"+" Increasing soft-closing time (turn adjustment screw counter-clockwise)
 "-" Reducing soft-closing time (turn adjustment screw clockwise)

Upper front adjustment



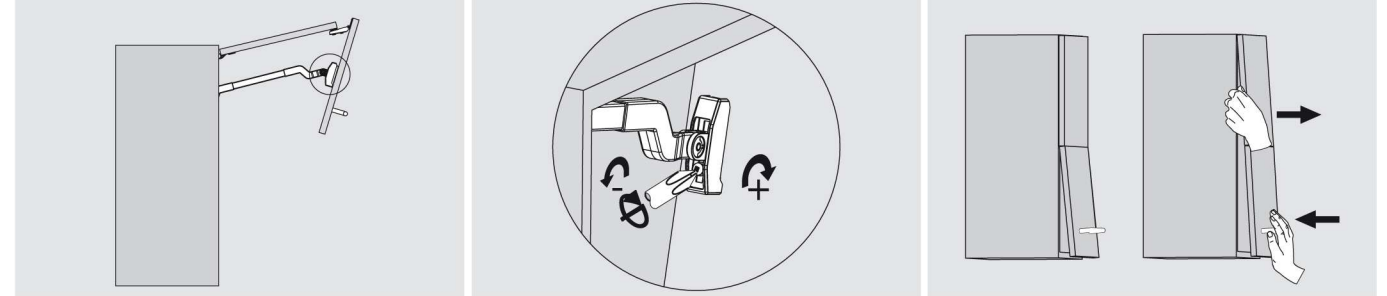
120° hinge

Lower front adjustment

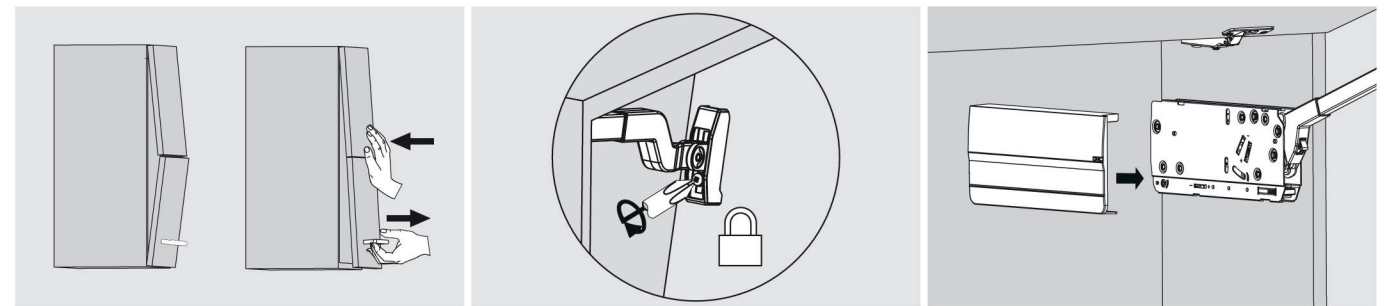


Center hinge

Door Assembly

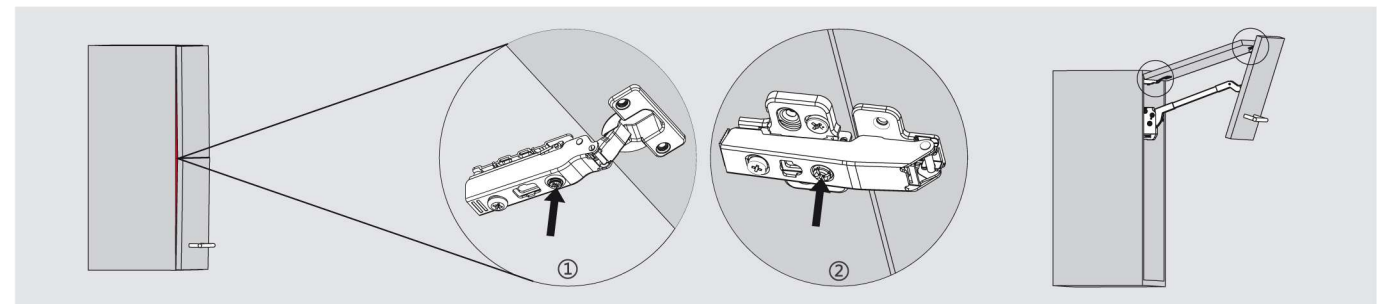


"+" Loose the screw properly when the automatic positioning is too tight to move during door adjustment
 "-" Tighten the screw properly when the automatic positioning is too loose and doesn't work during door adjustment



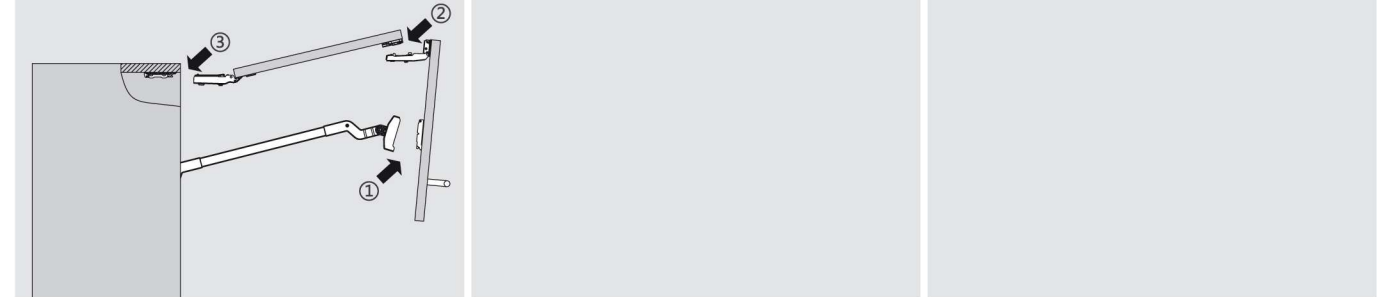
Adjust positions of the doors

Lock screw



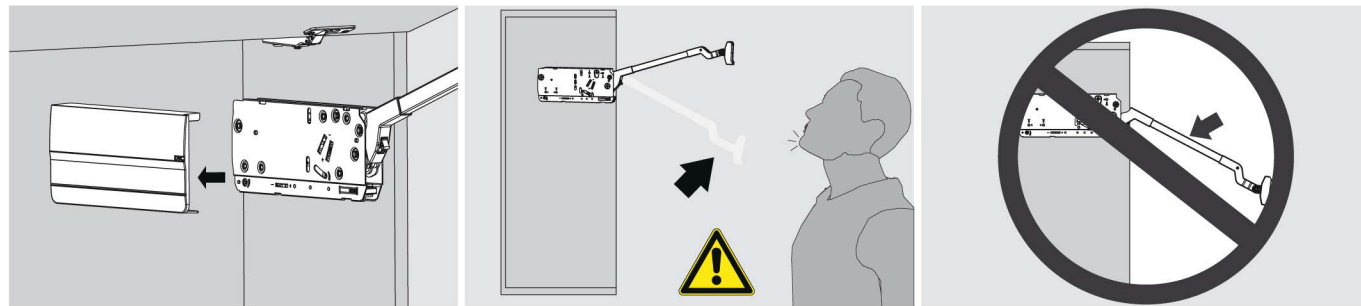
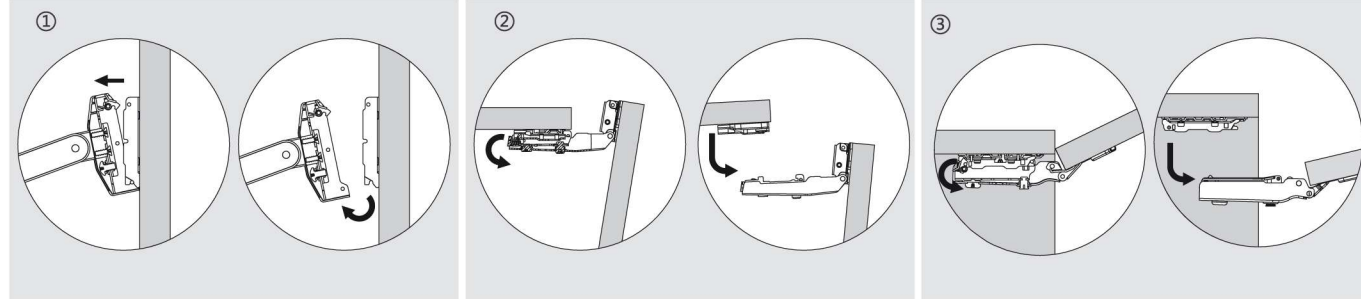
If there is small gap between the doors and the cabinet side; fine-tune the positions of the doors with the adjustment screws

Removal





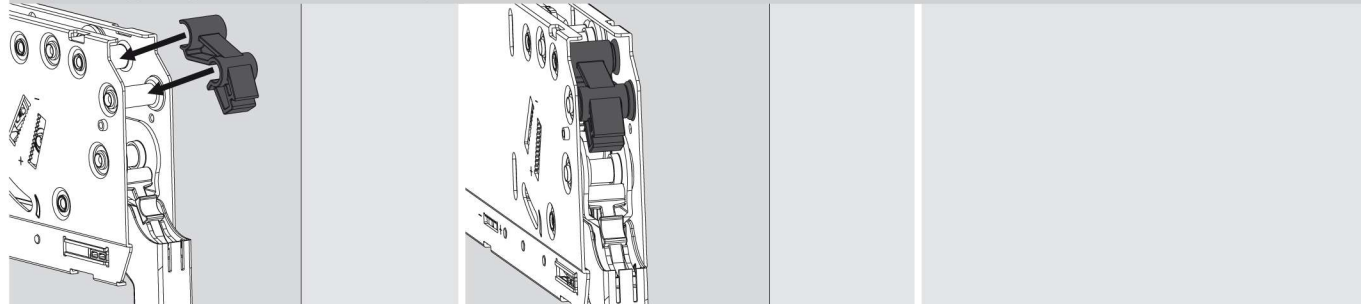
Removal



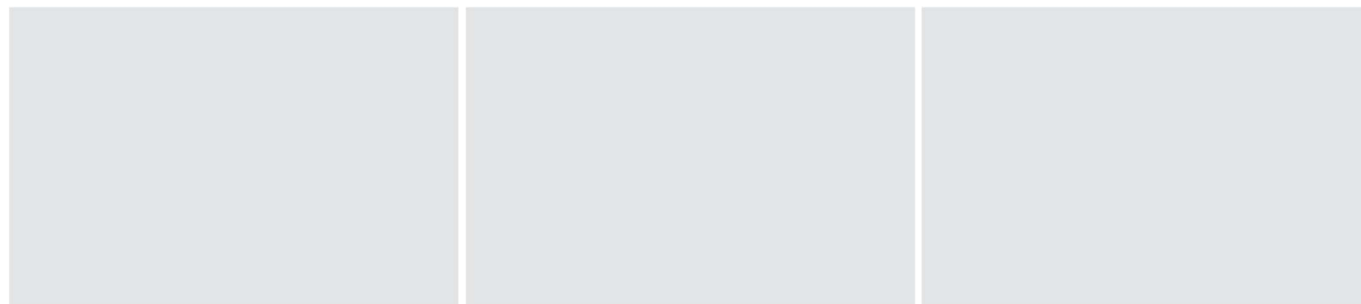
The arm of this device could spring up and cause injury!

Do not push the arm down without door attached

Opening angle restriction clip



Assembly



We are continuously developing new products.
For updated product information, please log onto www.dtcetc.com

LIFTING
SYSTEM

SE Series

TOP-STAYS



TOP-STAYS

The new experience of the lift-up door

Agile and Unconstrained, Easy
and Convenient



- Easy to open and stays at any desired position, silent and smooth closing
- Easy installation, simple, effective and precise adjustment



Quietness



Intelligence



Durability



Eco-Friendliness

PRODUCT



DESCRIPTION

- Opening angle: 105°
- Cabinet width up to 1800mm
- Cabinet height: 240-600mm
- Cabinet minimum depth: 125mm
- Door thickness: 16-26mm
- Easy to open and stays at any desired position
- Silent and smooth closing
- Side, height and depth adjustment
- Tool free assembly and removal

Power factor LF=

Cabinet height KH(mm) x door weight incl. double handle weight(kg)

Note: A practical trial is suggested when the power factor of lift mechanism is close to the critical value.

ORDER INFORMATION

1		Lift Mechanism set/ Industrial Package Nickel Plated(A01)			
		Power Factor LF	Dynamic	Item No.	Set/ctn
		200-1000	Light	SE00AL	20
		500-1500	Medium	SE00AM	20
		960-2350	Strong	SE00AH	20
The power factor can be double when a second lift mechanism is used.					
2		Front Fixing-brackets/ Industrial Package for wooden door and wide Alu frame door Nickel Plated(A01)			
		Item No.	SE00YQ		
		Pcs/ctn	200		
2		Front Fixing-brackets/Industrial Package for wooden door, wide Alu frame door and narrow frame door Nickel Plated(A01)			
		Item No.	SE00CQ		
		Pcs/ctn	200		
2		Front Fixing-brackets set/Industrial Package for narrow alu frame door Nickel Plated(A01)			
		Item No.	SE00H		
		Set/ctn	200		
		4 pcs Φ3.5X8.5mm countersunk screws included			
3		Mounting plate/Industrial Package Nickel Plated(A01)			
		Item No.	SE00TQ		
		Pcs/ctn	200		
		Caps/Industrial Package White(H29) ! Grey(H30) ! Nickel Plated(A01)			
			Item No.	Set/ctn	
		Left	SEJS02L	200	
		Right	SEJS02R	200	

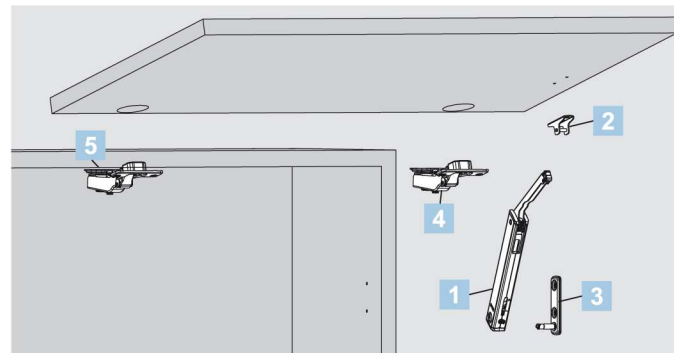
4		Soft-close hinge for wooden door and wide Alu frame door/ Industrial Package Nickel Plated(A01)			
		Item No.	C80A676F		
		Pcs/ctn	200		
3 hinges are required when the cabinet width is over 900mm or the power factor is over 1800					
4 hinges are required when the cabinet width is over 1200mm or the power factor is over 2700					

Alternative PIVOT-STAR speed-adjustable hinge C81A676F. Door thickness:16-26mm.

4		Soft-close hinge for narrow Alu frame door / Industrial Package Nickel Plated(A01)			
		Item No.	C80A678F		
		Pcs/ctn	200		
3 hinges are required when the cabinet width is over 900mm or the power factor is over 1800					
4 hinges are required when the cabinet width is over 1200mm or the power factor is over 2700					
Range of width of aluminium frame(V):19-22mm.					

5		Adjustable mounting plate/Industrial Package Nickel Plated(A01)			
		Item No.	89T00TQ		
		Pcs/ctn	200		

Use mounting plate 81T00TQ for PIVOT-STAR speed adjustable hinge C81A676F



T1 Recommended Kit Package

Including:

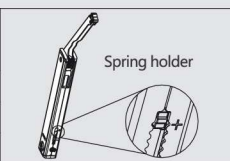
1 X Lift Mechanism	1 X Front Fixing-bracket	1 X Mounting plate	X wooden screws

Please select the corresponding kit package item No. according to power factor and cabinet height

Power Factor(LF)	Cabinet Height	Kit package item No.
200-1000	240-600mm	SE00AL01
500-1500		SE00AM01
960-2350		SE00AH01

Spring holder colours represent different powers

Light grey
Dark grey
White



! Front fixing bracket SE00H should be ordered when the front is narrow Alu frame door.

PRODUCT



DESCRIPTION

- Opening angle: 105°
- Cabinet width up to 1800mm
- Cabinet height: 240-600mm
- Cabinet minimum depth: 125mm
- Door thickness: 16-26mm
- Handle-less, stays at any desired position
- Silent and smooth closing
- Side, height and depth adjustment
- Tool free assembly and removal

Power factor LF=

Cabinet height KH(mm) x door weight (kg)

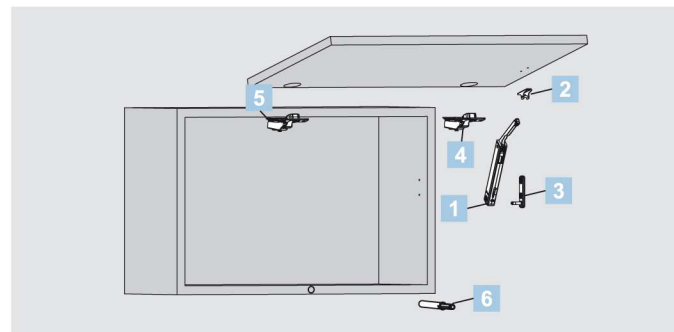
Note: A practical trial is suggested when the power factor of lift mechanism is close to the critical value.

ORDER INFORMATION

1		Lift Mechanism set/ Industrial Package Nickel Plated(A01)			
		Power Factor LF	Dynamic	Item No.	Set/ctn
		200-1000	Light	SE2FAL	20
		500-1400	Medium	SE2FAM	20
		960-2050	Strong	SE2FAH	20
The power factor can be double when a second lift mechanism is used.					
2		Front Fixing-brackets/ Industrial Package for wooden door and wide Alu frame door Nickel Plated(A01)			
		Item No.	SE00YQ		
		Pcs/ctn 200			
2		Front Fixing-brackets/Industrial Package for wooden door, wide Alu frame door and narrow frame door Nickel Plated(A01)			
		Item No.	SE00CQ		
		Pcs/ctn 200			
2		Front Fixing-brackets set/Industrial Package for narrow alu frame door Nickel Plated(A01)			
		Item No.	SE00H		
		Set/ctn	200		
		4 pcs Ø3.5X8.5mm countersunk screws included			
3		Mounting plate/Industrial Package Nickel Plated(A01)			
		Item No.	SE00TQ		
		Pcs/ctn 200			
		Caps/Industrial Package White(H29) ! Grey(H30) ! Nickel Plated(A01)			
			Item No.	Set/ctn	
		Left	SEJS02L	200	
		Right	SEJS02R	200	

4		Unsprung hinge for wooden door and wide Alu frame door/ Industrial Package Nickel Plated(A01)			
		Item No.	A80A675		
		Pcs/ctn	200		
		3 hinges are required when the cabinet width is over 900mm or the power factor is over 1800 4 hinges are required when the cabinet width is over 1200mm or the power factor is over 2700			
Door thickness:16-26mm.					
4		Unsprung hinge for narrow Alu frame door / Industrial Package Nickel Plated(A01)			
		Item No.	A80A678		
		Pcs/ctn	200		
		3 hinges are required when the cabinet width is over 900mm or the power factor is over 1800 4 hinges are required when the cabinet width is over 1200mm or the power factor is over 2700 Range of width of aluminium frame(V):19-22mm.			
5		Mounting plate/Industrial Package Nickel Plated(A01)			
		Item No.	89H00AQ		
		Pcs/ctn	200		
6		Insert-type Magnetic Push Latch/Industrial Package			
		Item No.	MS-A011A		
		Pcs/ctn	200		

Alternative: Push Latch see page 200



T1 Recommended Kit Package

Including:

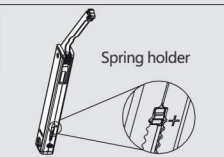
1 X Lift Mechanism	1 X Front Fixing-bracket	1 X Mounting plate	5 X wooden screws Ø4X16mm	1 X Drilling Magnetic Push Latch

Please select the corresponding kit package item No.
according to power factor and cabinet height

Power Factor(LF)	Cabinet Height	Kit package item No.
200-1000	240-600mm	SE2FAL01
500-1400		SE2FAM01
960-2050		SE2FAH01

Spring holder colours represent
different powers

Light grey
Dark grey
White



T2 Recommended Kit Package

Including:

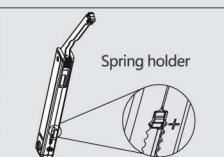
1 X Lift Mechanism	1 X Front Fixing-bracket	1 X Mounting plate	13 X wooden screws Ø4X16mm	1 X Drilling Magnetic Push Latch	2 X Hinge	2 X Mounting plate

Please select the corresponding kit package item No.
according to power factor and cabinet height

Power Factor(LF)	Cabinet Height	Kit package item No.
200-1000	240-600mm	SE2FAL01A
500-1400		SE2FAM01A
960-2050		SE2FAH01A

Spring holder colours represent
different powers

Light grey
Dark grey
White



! Front fixing bracket SE00H should be ordered when the front is narrow Alu frame door.

TOP-STAYS

SE Series Lifting System

TOP-STAYS

Assembly, Removal and Adjustment(for SE Series Lifting System)

PLANNING

Installation Dimensions(mm)

Peg position and space requirement

Space requirement

SOB Top panel thickness

B Hinge mounting plate height

B	0mm	2mm	4mm	9mm	18mm
Mounting plate	H=0	H=2	H=4	H=9	H=18

C Hinge overlay

0mm Full overlay, 9.5mm Half overlay, 18mm Inset

Y = (FH - a) x 0.3
FH = Front height

FD (mm)	16	19	22	24
a (mm)	45	34	23	15

SOB Top panel thickness

B Hinge mounting plate height

B	0mm	2mm	4mm	9mm	18mm
Mounting plate	H=0	H=2	H=4	H=9	H=18

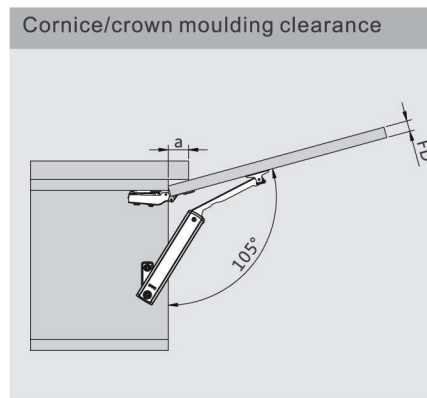
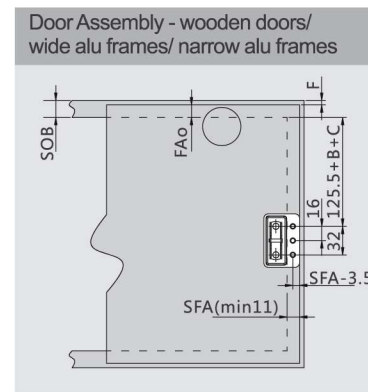
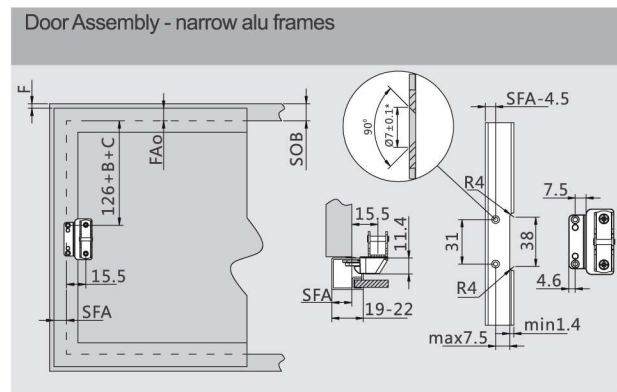
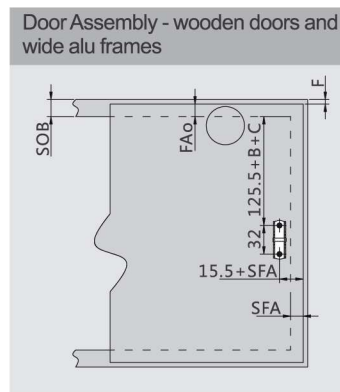
C Hinge overlay

0mm Full overlay, 9.5mm Half overlay, 18mm Inset

* Minimum 200mm for suspension bracket application

Y = (FH - a) x 0.3
FH = Front height

FD (mm)	16	19	22	24
a (mm)	45	34	23	15



Minimum gap
MFu = 1.5mm

K(mm)	3	4	5	6	Mounting plate
D(mm)	15	16	17	18	H=0
	13	14	15	16	H=2
D(mm)	11	12	13	14	H=4
	6	7	8	9	H=9

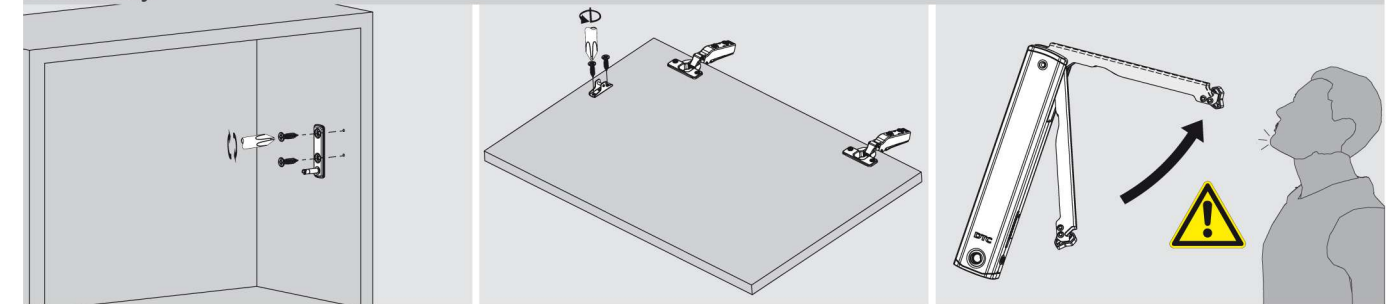
K=Drilling distance D=Required door overlay

FD=	16	17	18	19	20	21	22	23	24	25	26
K=3 MFo=	0.7	0.9	1.2	1.5	1.8	2.2	2.6	3.2	3.8	4.5	5.3
K=4 MFo=	0.7	0.9	1.1	1.4	1.8	2.1	2.5	3.0	3.5	4.4	4.9
K=5 MFo=	0.6	0.9	1.1	1.4	1.7	2.0	2.4	2.9	3.4	3.9	4.6
K=6 MFo=	0.6	0.8	1.1	1.3	1.6	2.0	2.4	2.8	3.2	3.8	4.4

FD (mm)	16	19	22	24
a (mm)	45	34	23	15

F: Gap
FAo: Top panel overlay
MFu: Bottom Min. gap
MFo: Top Min. gap
SFA: Side panel overlay= side thickness - gap
FD: Door thickness

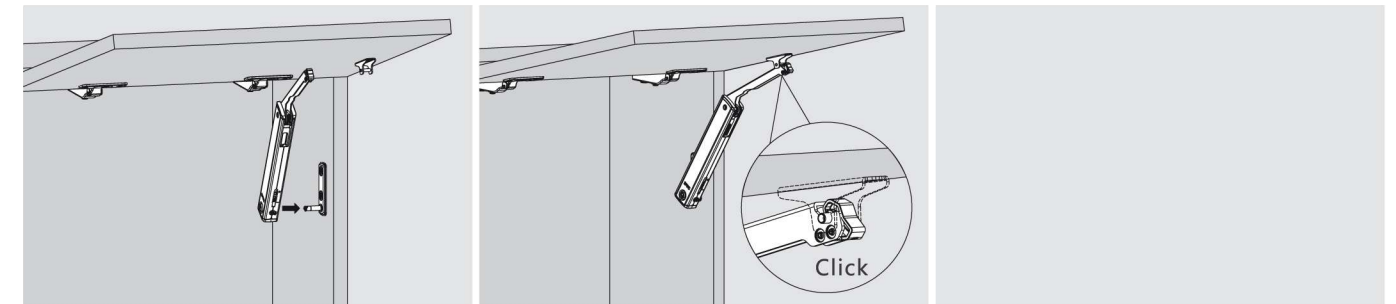
Assembly



Assembly

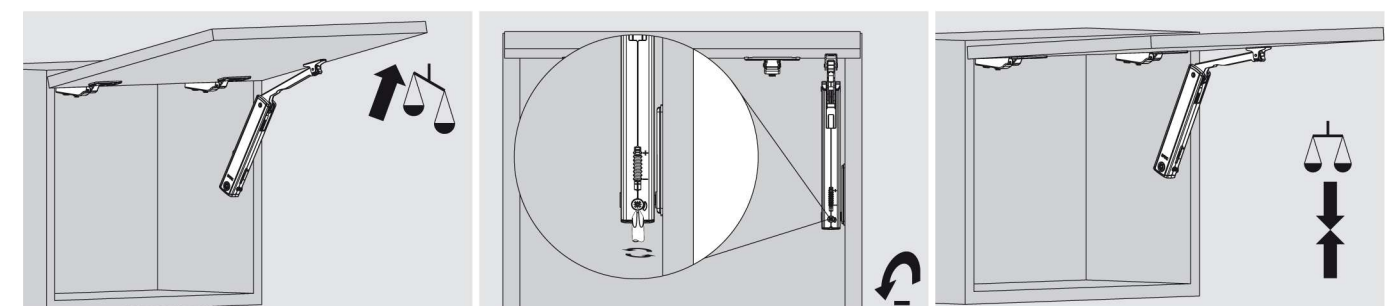
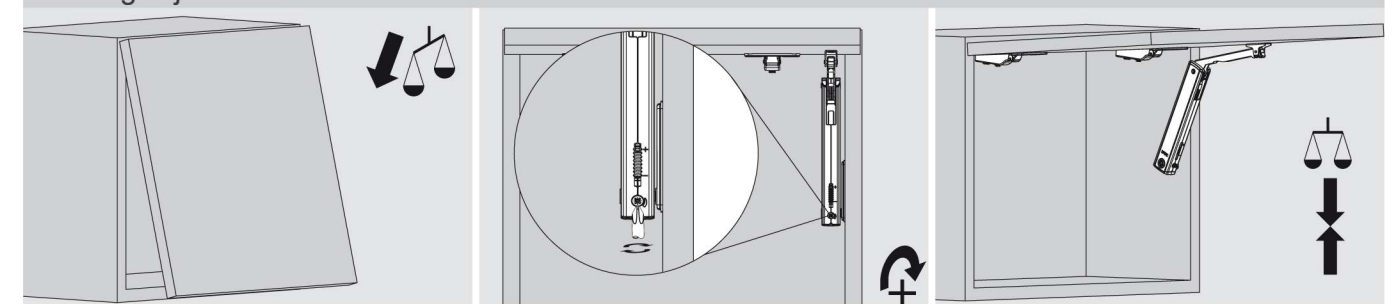
Door Assembly

The arm of this device could spring up and cause injury. Do not push the arm down without door attached.



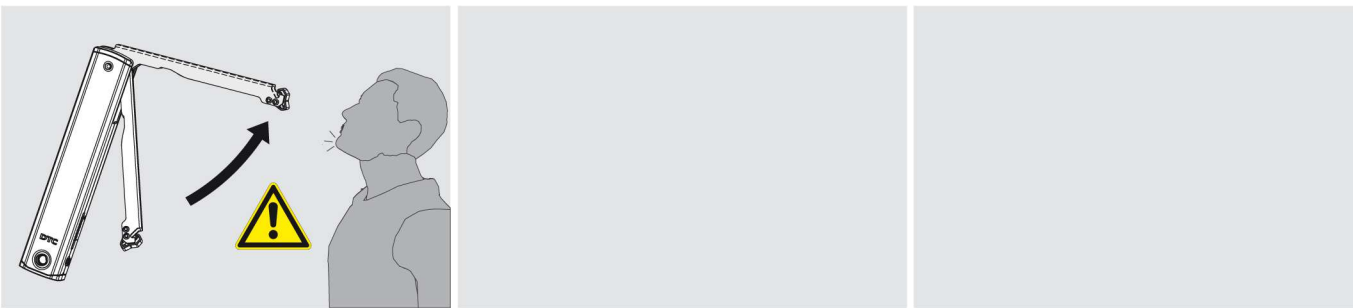
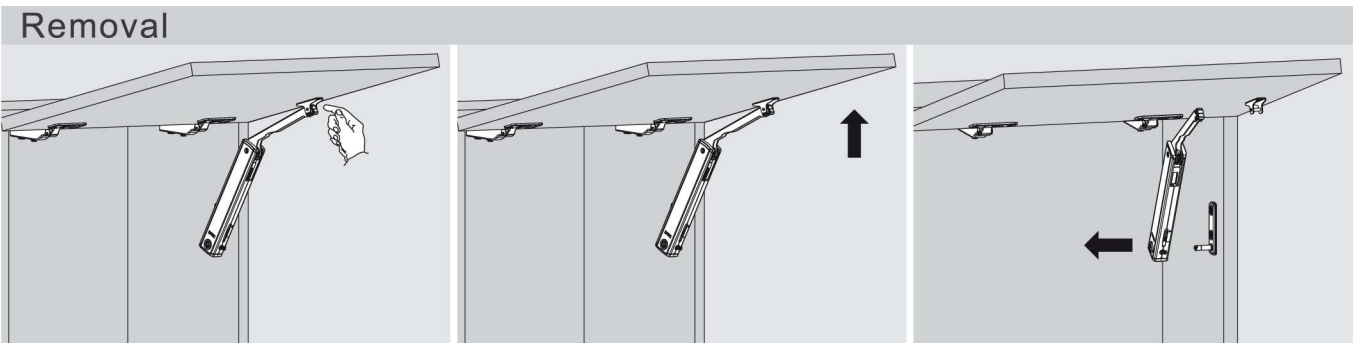
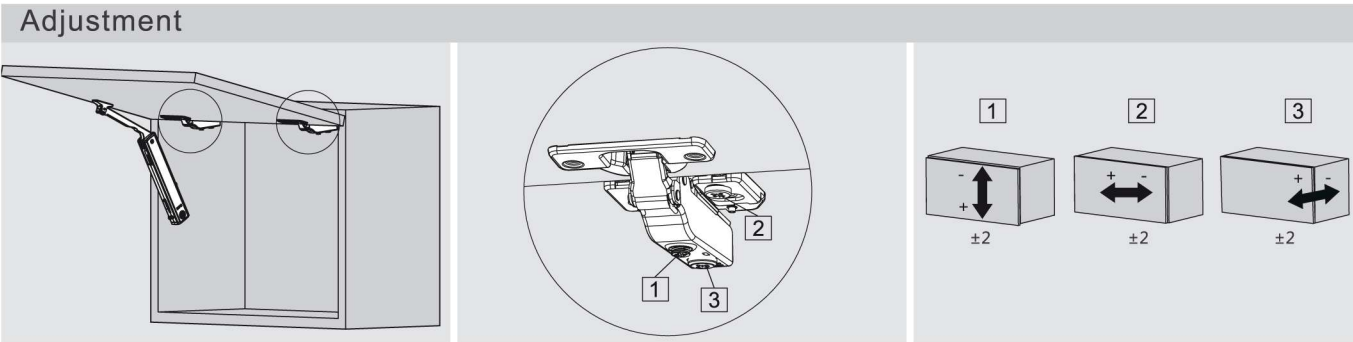
Door Assembly

Hovering Adjustment

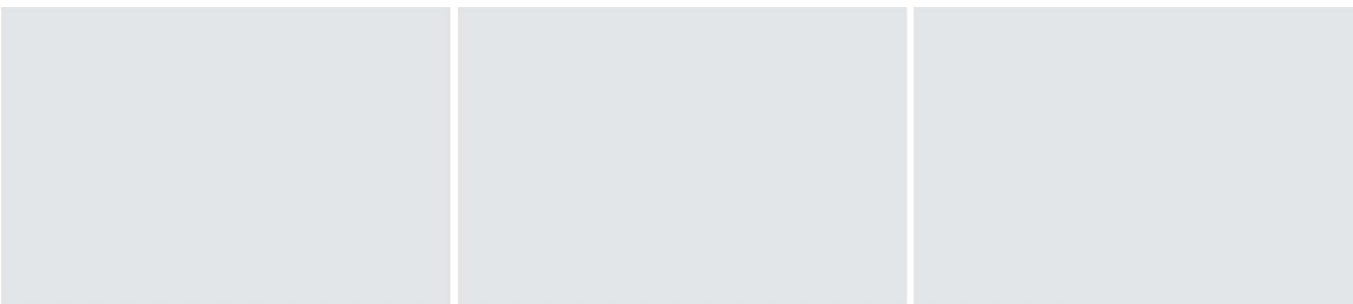


TOP-STAYS

Assembly , Removal and Adjustment
(for SE Series Lifting System)



The arm of this device could spring up and cause injury!



TOP-STAYS

Assembly (for SE Series Push-open Lifting System)

PLANNING

