

---

PURE-BOX

# SINGLE-WALL DRAWER SYSTEMS

---

Pure-box

## Single-wall Drawers of Various Heights



- Precision manufacturing delivers a very flat and evenly coated runner track on which the rollers run smoothly.
- Various colours, lengths and heights available.
- An economical drawer solution.

Global Quality Benchmark

# PURE-BOX



Quietness



Intelligence



Durability



Eco-Friendliness

# PURE-BOX

## F11D 54mm Single-wall Drawer Systems



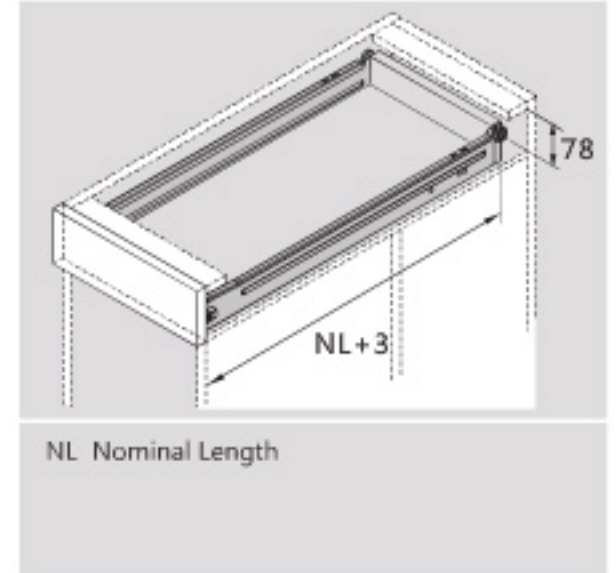
### PRODUCT



### DESCRIPTION

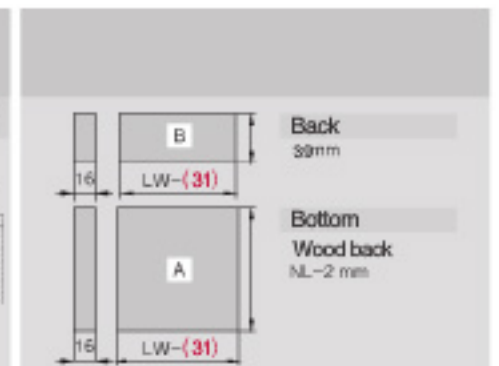
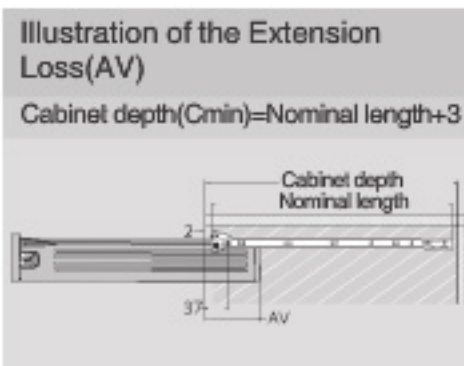
- Load capacity: 25kg
- Self-closing
- Double stop positions
- 2D adjustment:  
up & down adjustment: ±2mm  
left & right adjustment: ±2mm
- Lengths: 270-550mm
- Silent wheels
- Finish: white(E01)/Silver grey(E07)

### SPACE REQUIREMENT

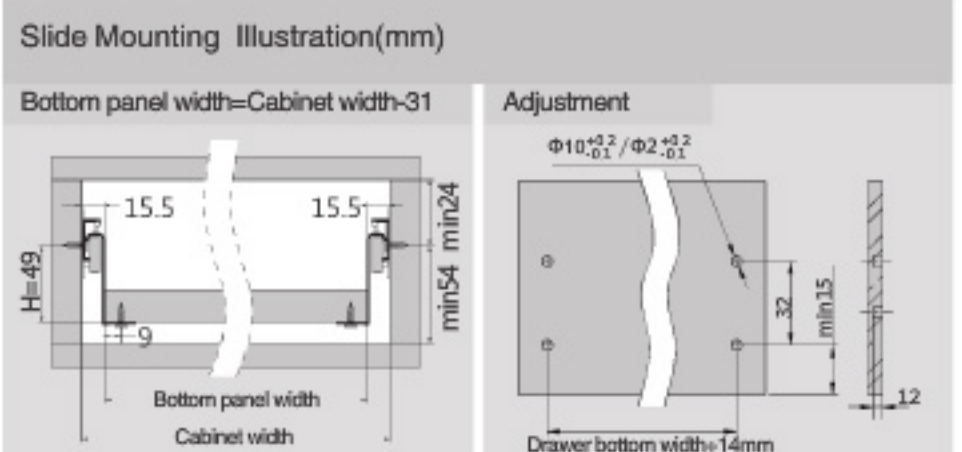


### SUPER LOW DRAWER FOR WOOD DRAWER BACK

1 Slides (left/right)			
White(E01)/ Silver Grey(E07)			
NL	Thickness 1.2mm item No.	Set/ctn	
270mm	<b>F11D110</b>	10	
300mm	<b>F11D120</b>	10	
350mm	<b>F11D140</b>	10	
400mm	<b>F11D160</b>	10	
450mm	<b>F11D180</b>	10	
500mm	<b>F11D200</b>	10	
550mm	<b>F11D220</b>	10	

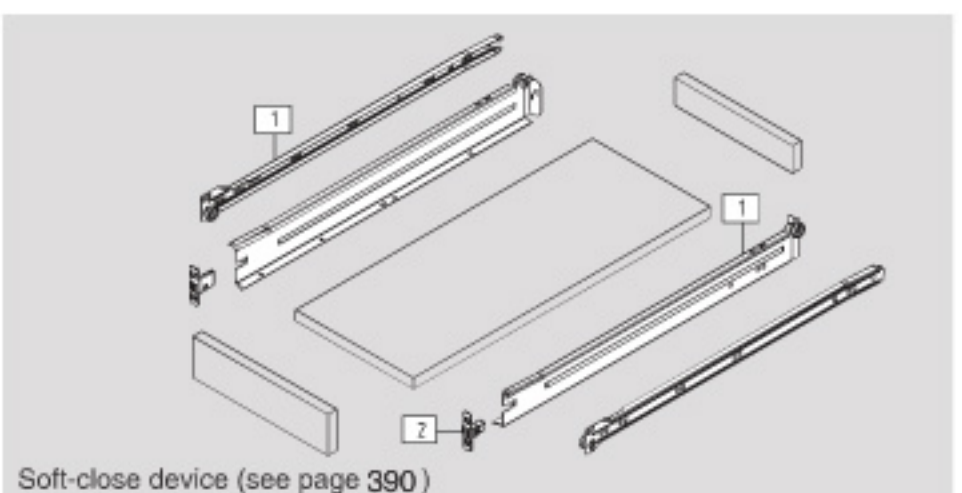
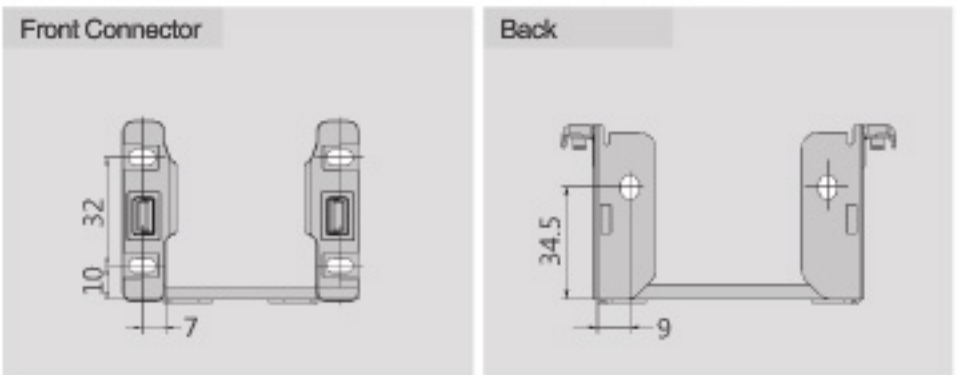


4 Front Fixing-brackets (left/right)			
Nickel Plated(A02)			
	Item No.	Pcs/ctn	
Adjustable front connector(Left)	<b>L3L</b>	200	
Adjustable front connector(Right)	<b>L3R</b>	200	



### Screw Positions of the Slides(mm)

Cabinet edge	NL
	270
	300
	350
	400
	450
	500
	550



# PURE-BOX

## F12E 86mm Single-wall Drawer Systems



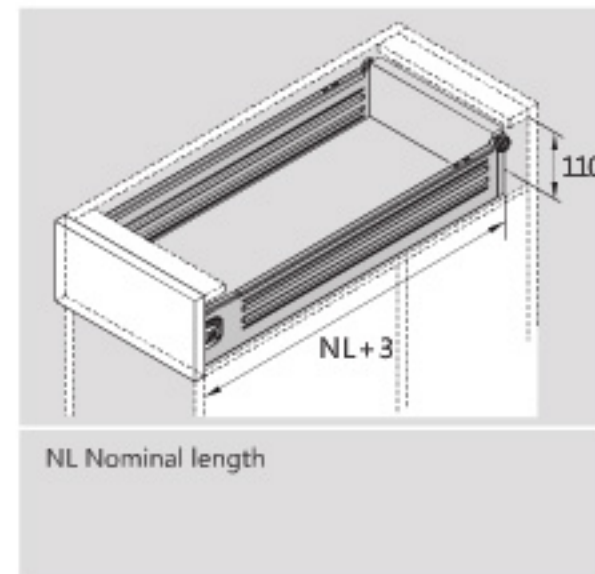
### PRODUCT



### DESCRIPTION

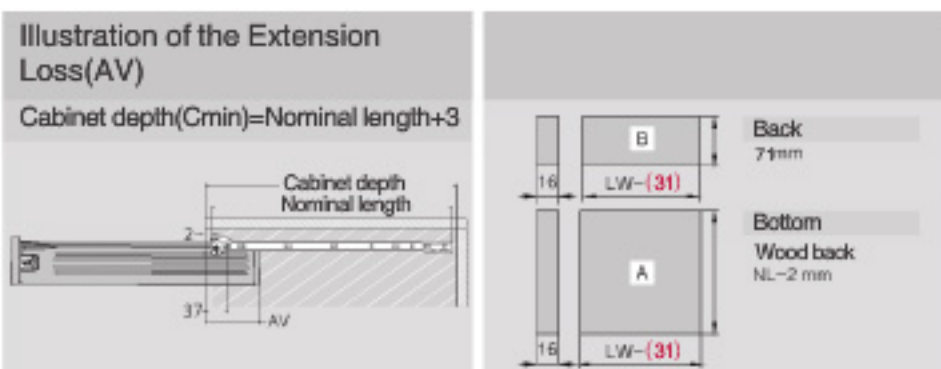
- Load capacity: 25kg
- Self-closing
- Double stop positions
- 2D adjustment:  
up & down adjustment: ±2mm  
left & right adjustment: ±2mm
- Lengths: 270-550mm
- Silent wheels
- Finish: white(E01)/Silver grey(E07)

### SPACE REQUIREMENT

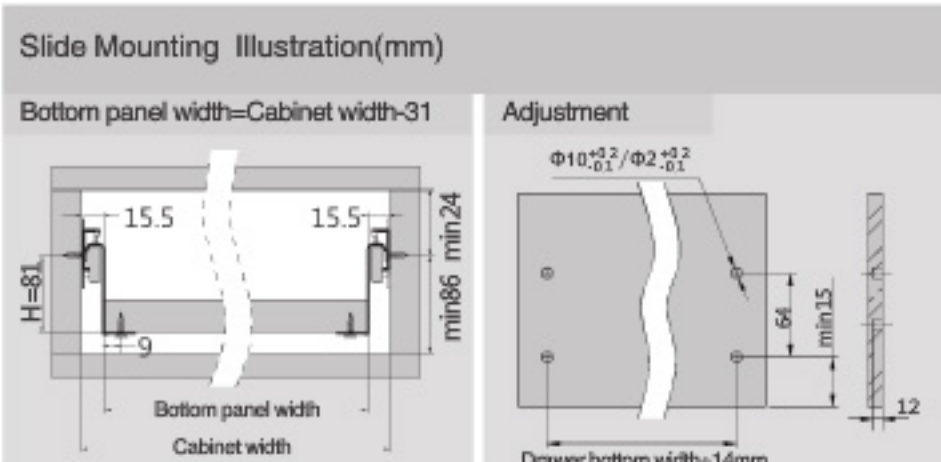


### LOW DRAWER FOR WOOD DRAWER BACK

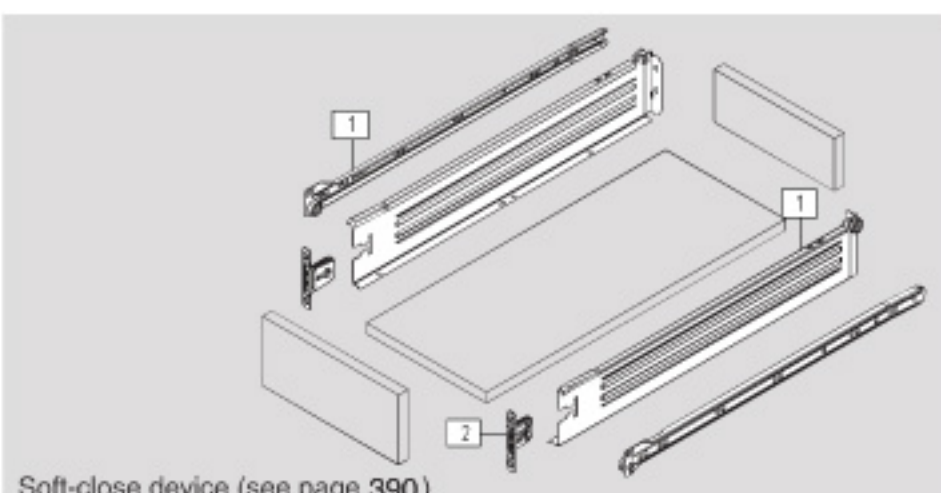
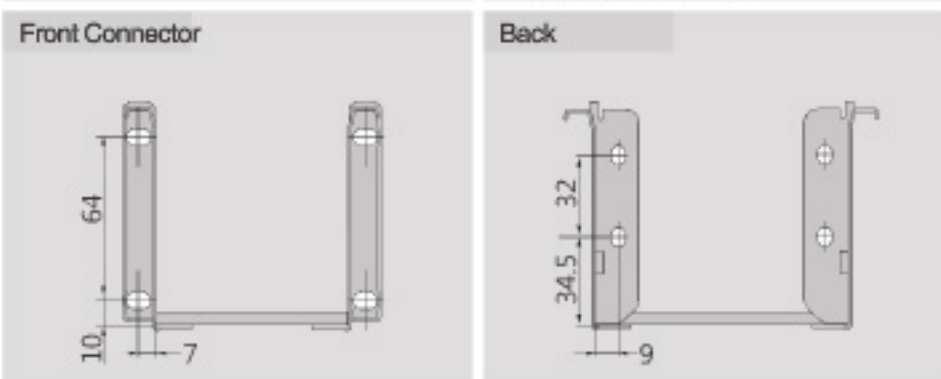
1		Slides (left/right)	
White(E01)/ Silver Grey(E07)			
NL	Thickness 1.2mm Item No.	Set/ctn	
250mm	<b>F12E100</b>	10	
270mm	<b>F12E110</b>	10	
300mm	<b>F12E120</b>	10	
350mm	<b>F12E140</b>	10	
400mm	<b>F12E160</b>	10	
450mm	<b>F12E180</b>	10	
500mm	<b>F12E200</b>	10	
550mm	<b>F12E220</b>	10	



4		Front Fixing-brackets (left/right)	
Nickel Plated(A02)			
	Item No.	Pcs/ctn	
Screw-on	<b>L1M</b>	200	
Press-in	<b>L1MM</b>	200	



Screw Positions of the Slides(mm)	
NL	Diagram
250	
270	
300	
350	
400	
450	
500	
550	



# PURE-BOX

## F13G 118mm Single-wall Drawer Systems



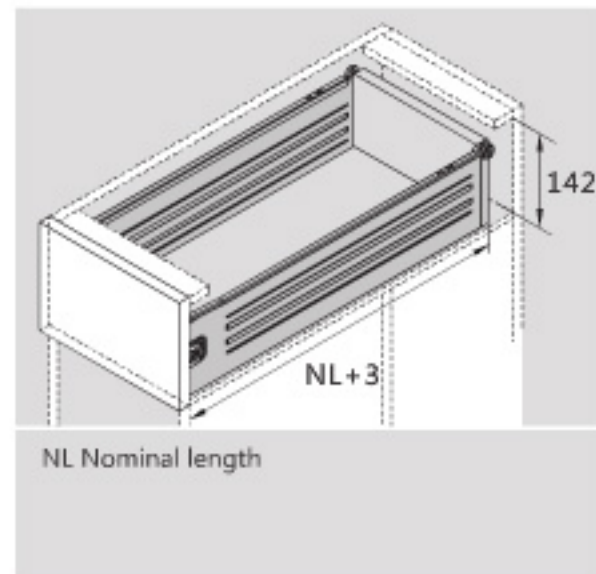
### PRODUCT



### DESCRIPTION

- Load capacity: 25kg
- Self-closing
- Double stop positions
- 2D adjustment:  
up & down adjustment: ±2mm  
left & right adjustment: ±2mm
- Lengths: 270-550mm
- Silent wheels
- Finish: white(E01)/Silver grey(E07)

### SPACE REQUIREMENT



### MEDIUM DRAWER FOR WOOD DRAWER BACK

1		Slides (left/right)	
White(E01)/ Silver Grey(E07)			
NL	Thickness 1.2mm item No.	Set/ctn	
250mm	<b>F13G100</b>	10	
270mm	<b>F13G110</b>	10	
300mm	<b>F13G120</b>	10	
350mm	<b>F13G140</b>	10	
400mm	<b>F13G160</b>	10	
450mm	<b>F13G180</b>	10	
500mm	<b>F13G200</b>	10	
550mm	<b>F13G220</b>	10	

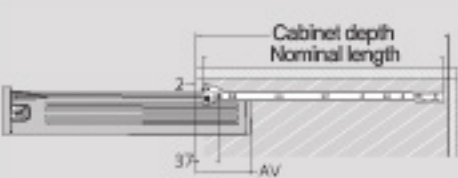
4		Front Fixing-brackets left/right Nickel Plated(A02)	
	Item No.	Pcs/ctn	
Screw-on	<b>L1M</b>	200	
Press-in	<b>L1MM</b>	200	

### Screw Positions of the Slides(mm)

2	Cabinet edge	NL
		250
		270
		300
		350
		400
		450
		500
		550

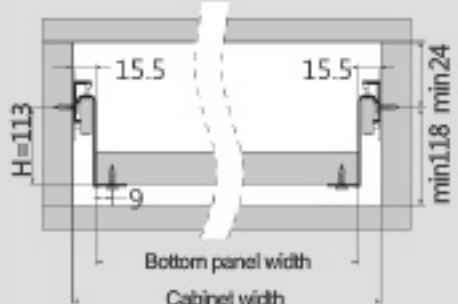
### Illustration of the Extension Loss(AV)

Cabinet depth(Cmin)=Nominal length+3

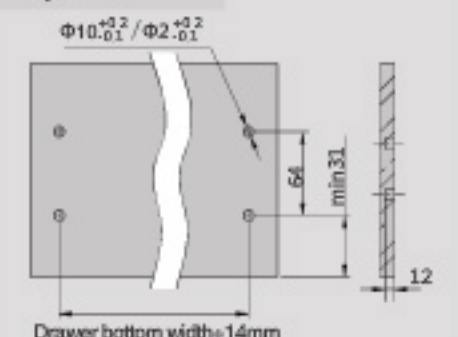


### Slide Mounting Illustration(mm)

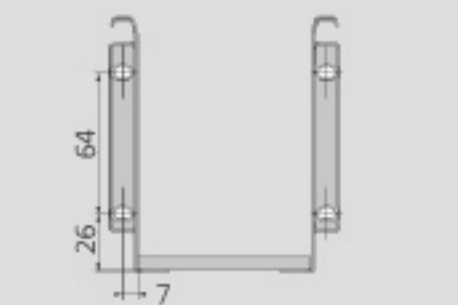
Bottom panel width=Cabinet width-31



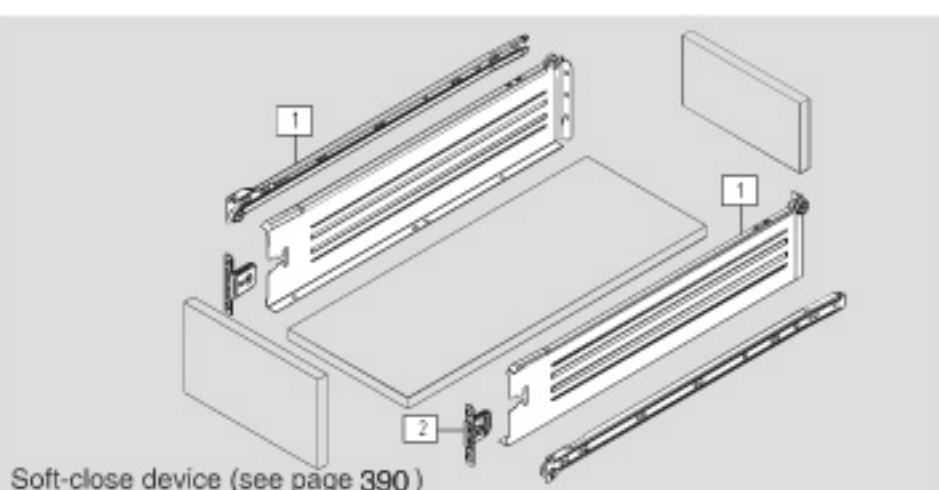
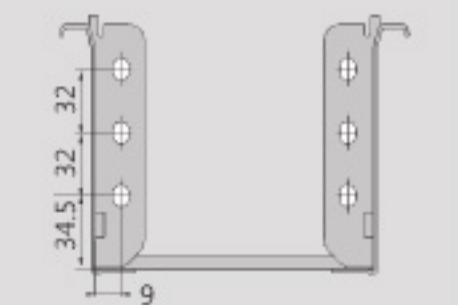
Adjustment



### Front Connector



### Back



Soft-close device (see page 390)

# PURE-BOX

## F1 4K 150mm Single-wall Drawer Systems



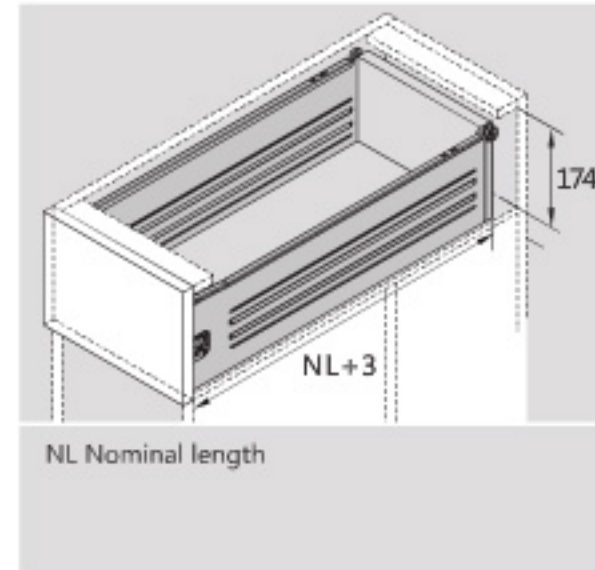
### PRODUCT



### DESCRIPTION

- Load capacity: 25kg
- Self-closing
- Double stop positions
- 2D adjustment:  
up & down adjustment: ±2mm  
left & right adjustment: ±2mm
- Lengths: 270-550mm
- Silent wheels
- Finish: white(E01)/Silver grey(E07)

### SPACE REQUIREMENT



EPOXY SLIDE

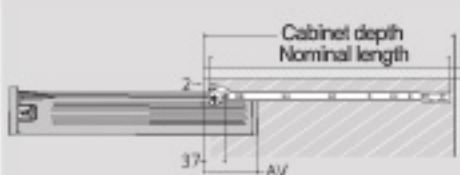
### HIGH DRAWER FOR WOOD DRAWER BACK

1		Slides (left/right)	
White(E01)/ Silver Grey(E07)			
NL	Thickness 1.2mm item No.	Set/ctn	
250mm	F14K100	10	
270mm	F14K110	10	
300mm	F14K120	10	
350mm	F14K140	10	
400mm	F14K160	10	
450mm	F14K180	10	
500mm	F14K200	10	
550mm	F14K220	10	

4		Front Fixing-brackets left/right	
Nickel Plated(A02)			
	Item No.	Pcs/ctn	
Screw-on	L1M	200	
Press-in	L1MM	200	

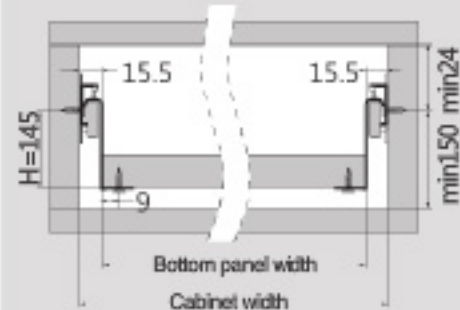
#### Illustration of the Extension Loss(AV)

Cabinet depth(Cmin)=Nominal length+3

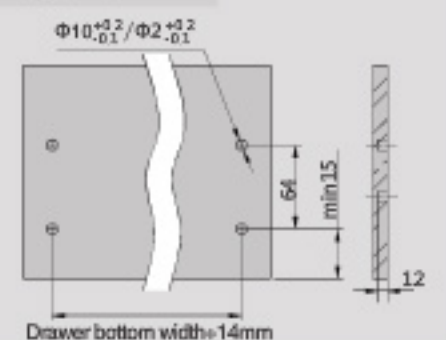


#### Slide Mounting Illustration(mm)

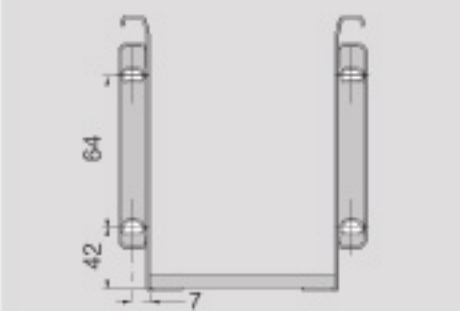
Bottom panel width=Cabinet width-31



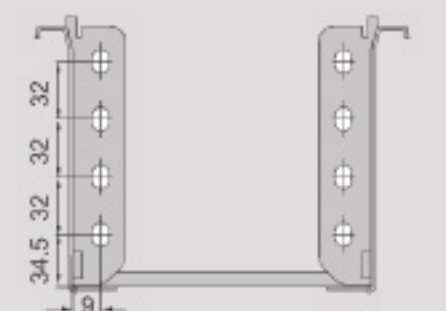
Adjustment



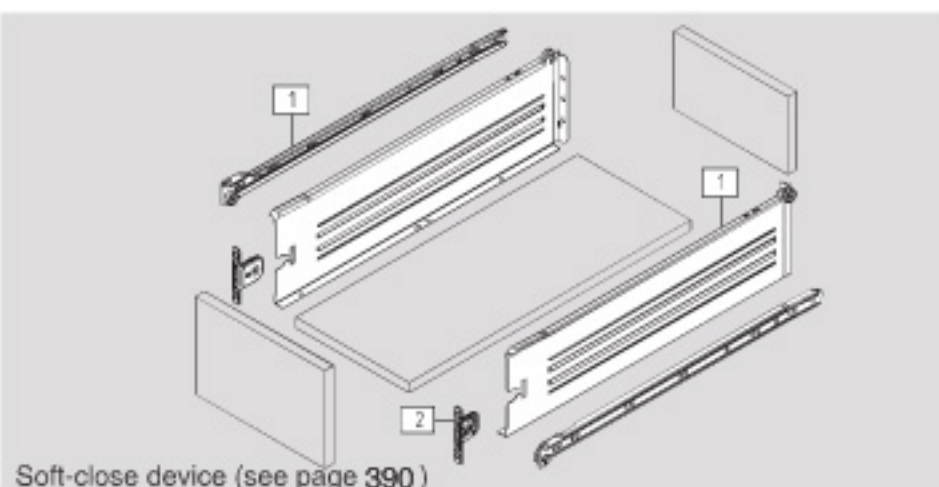
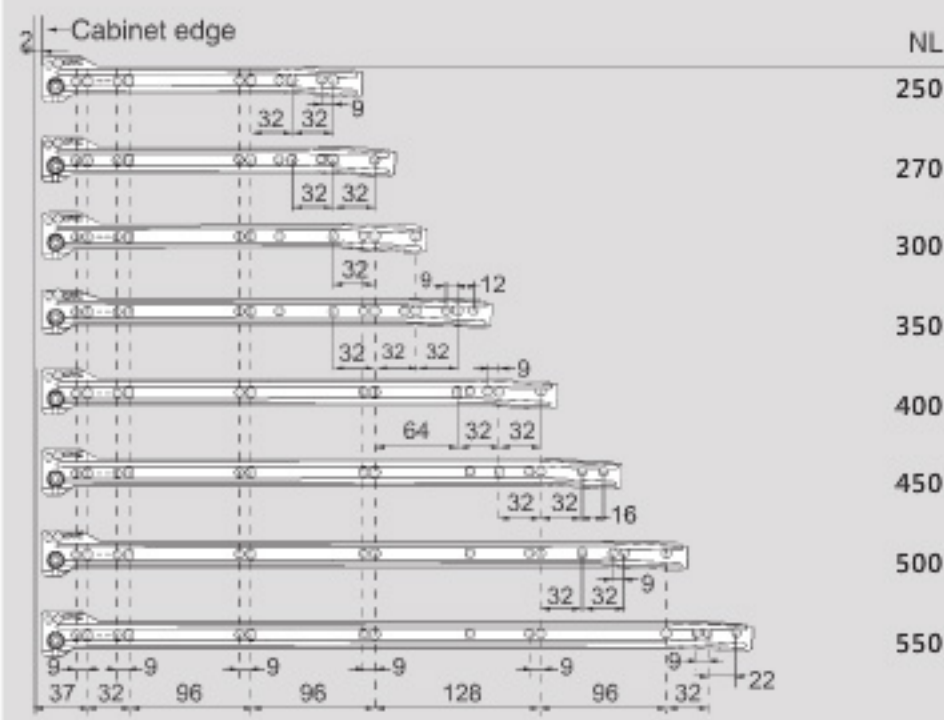
#### Front Connector



#### Back



#### Screw Positions of the Slides(mm)



# PURE-BOX

## F15J 214mm Single-wall Drawer Systems



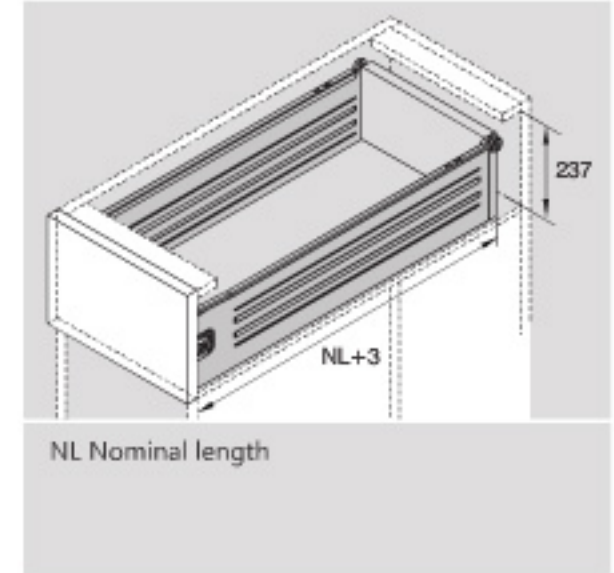
### PRODUCT



### DESCRIPTION

- Load capacity: 25kg
- Self-closing
- Double stop positions
- 2D adjustment:  
up & down adjustment: ±2mm  
left & right adjustment: ±2mm
- Lengths: 270-550mm
- Silent wheels
- Finish: white(E01)/Silver grey(E07)

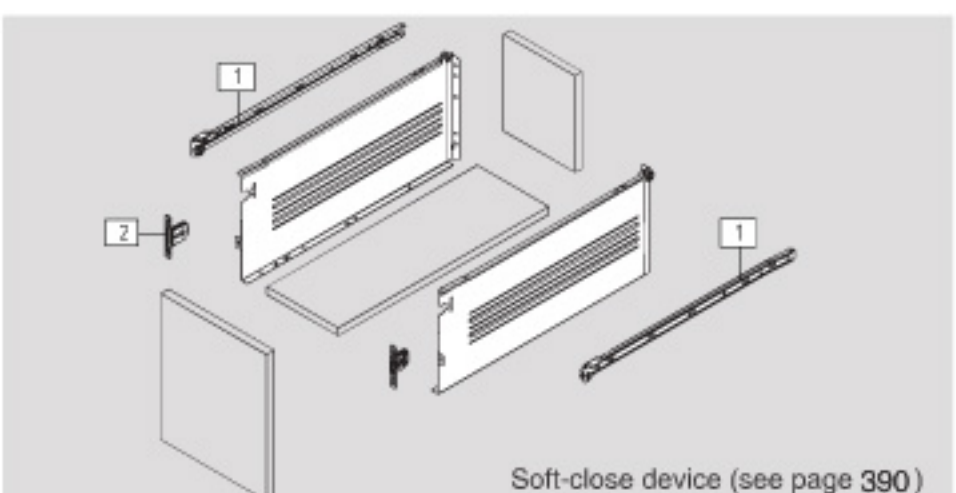
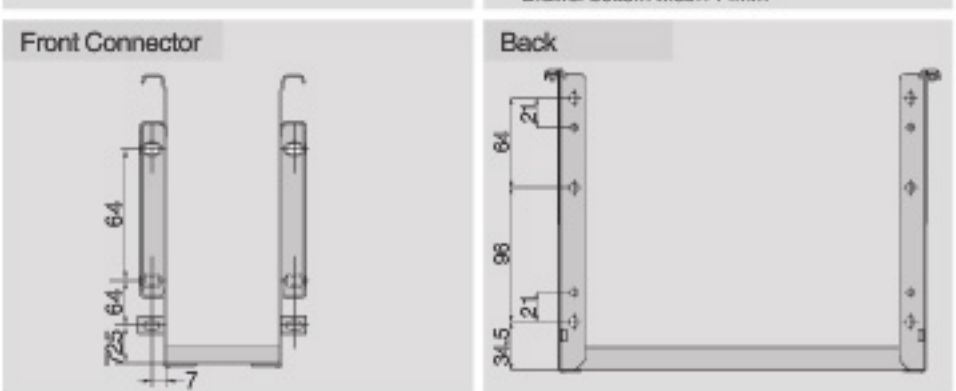
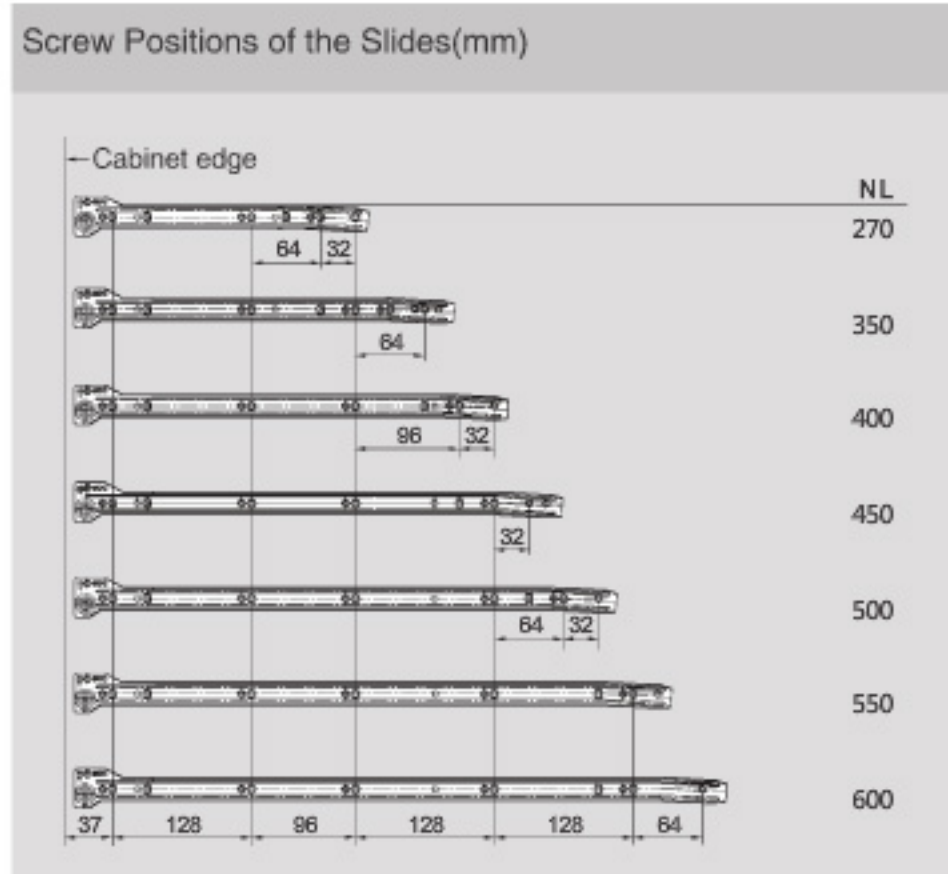
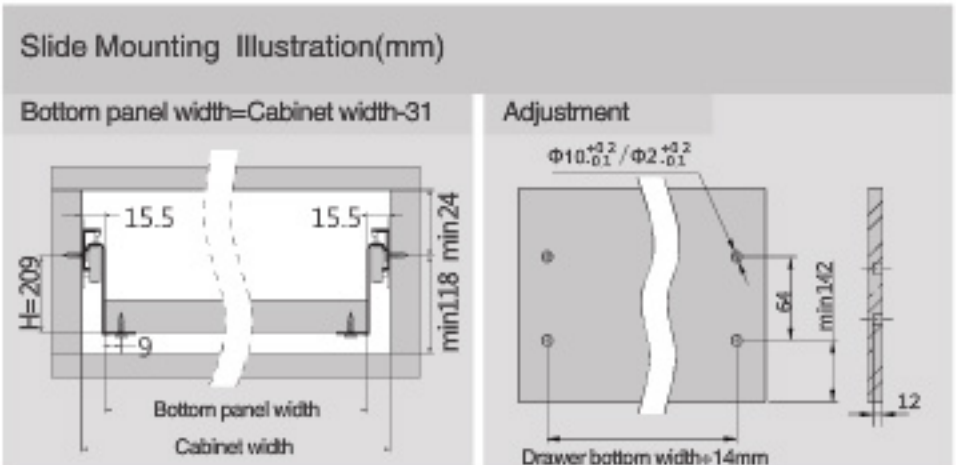
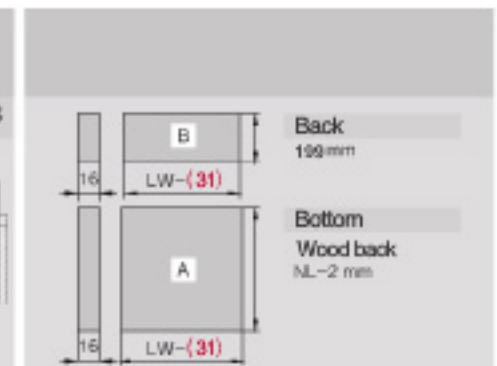
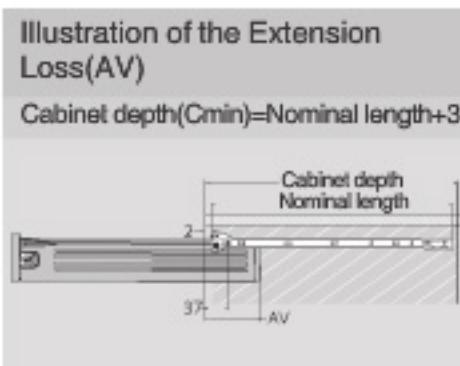
### SPACE REQUIREMENT



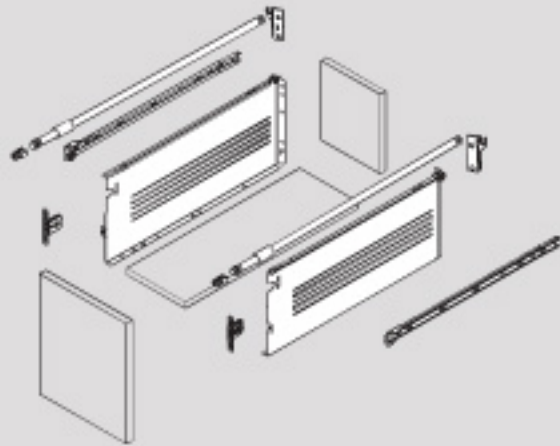
### EXTRA HIGH DRAWER FOR WOOD DRAWER BACK

1		Slides (left/right)	
White(E01)/ Silver Grey(E07)			
NL	Thickness 1.2mm item No.	Set/ctn	
270mm	<b>F15J1101</b>	10	
350mm	<b>F15J1401</b>	10	
400mm	<b>F15J1601</b>	10	
450mm	<b>F15J1801</b>	10	
500mm	<b>F15J2001</b>	10	
550mm	<b>F15J2201</b>	10	
600mm	<b>F15J2401</b>	10	

4		Front Fixing-brackets left/right Nickel Plated(A02)	
	Item No.	Pcs/ctn	
Screw-on	<b>L1M</b>	200	
Press-in	<b>L1MM</b>	200	



## Side Rail Options for Single Wall Drawer



Round Side Rail set  
(Press-in Dowel) (left/right)  
/ Industrial Package

White(E01A)  Grey(E03)  Silver Grey(E07)		
NL	Item No.	Set/ctn
250mm	<b>HY10B</b>	50
300mm	<b>HY12B</b>	50
350mm	<b>HY14B</b>	50
400mm	<b>HY16B</b>	50
450mm	<b>HY18B</b>	50
500mm	<b>HY20B</b>	50
550mm	<b>HY22B</b>	50



Round Side Rail set  
(Screw-on) (left/right)  
/ Industrial Package

White(E01A)  Grey(E03)  Silver Grey(E07)		
NL	Item No.	Set/ctn
250mm	<b>HY10-X</b>	50
300mm	<b>HY12-X</b>	50
350mm	<b>HY14-X</b>	50
400mm	<b>HY16-X</b>	50
450mm	<b>HY18-X</b>	50
500mm	<b>HY20-X</b>	50
550mm	<b>HY22-X</b>	50



Round Side Rail set  
(Quick Dowel) (left/right)  
/ Industrial Package

White(E01A)  Grey(E03)  Silver Grey(E07)		
NL	Item No.	Set/ctn
250mm	<b>HY10A</b>	50
300mm	<b>HY12A</b>	50
350mm	<b>HY14A</b>	50
400mm	<b>HY16A</b>	50
450mm	<b>HY18A</b>	50
500mm	<b>HY20A</b>	50
550mm	<b>HY22A</b>	50