

EPOXY SLIDES

A Series Bottom Mounted Epoxy Roller Slides



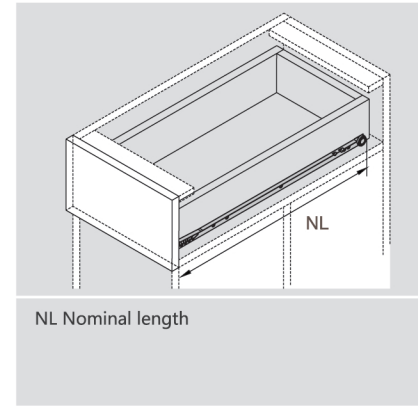
PRODUCT



DESCRIPTION

- Load capacity: 25kg
- Self-closing
- Double stop positions
- Lengths: 250-600mm
- Silent wheels
- Finish: white(E01)/grey(E03)/brown(E04)/black(E05)

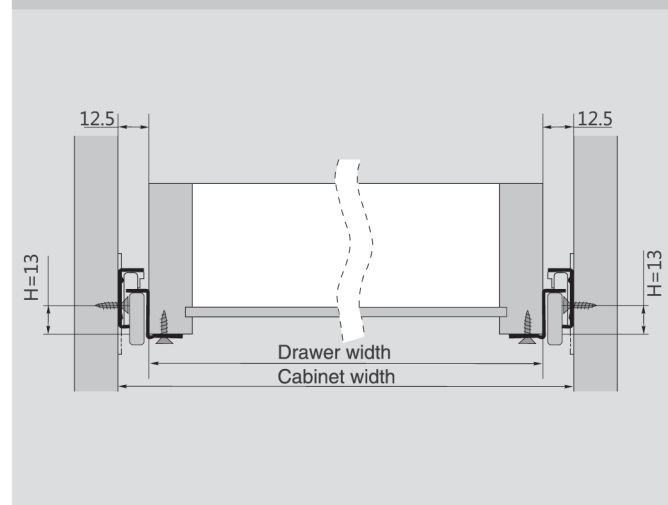
SPACE REQUIREMENT



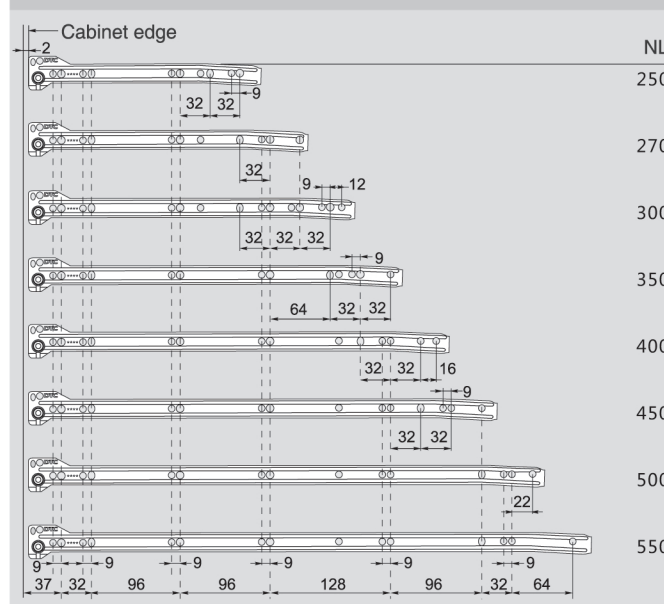
ORDER INFORMATION

1 Slides (left/right)			
White(E01) Grey(E03) Brown(E04) Black(E05)			
NL	Thickness 1.0mm item No.	Thickness 1.2mm item No.	Set/ctn
250mm	A109	A101	24
300mm	A129	A121	24
350mm	A149	A141	24
400mm	A169	A161	24
450mm	A189	A181	24
500mm	A209	A201	24
550mm	A229	A221	24
600mm	A249	A241	24

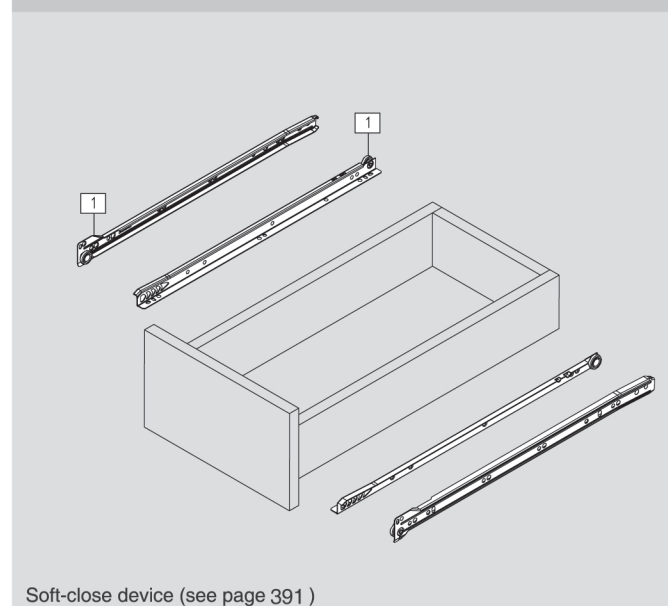
Installation Dimensions(mm)



Screw Positions of the Slides(mm)



Drawer



EPOXY SLIDES

L Series Bottom Mounted Epoxy Roller Slides



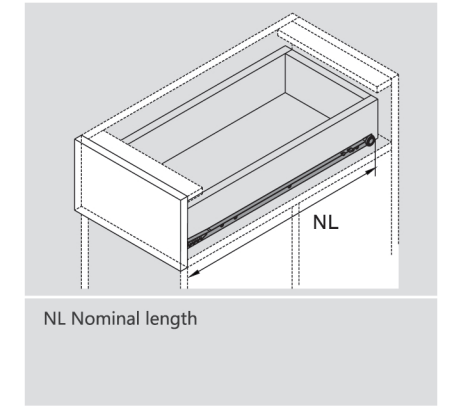
PRODUCT



DESCRIPTION

- Load capacity: 25kg
- Self-closing
- Double stop positions
- Lengths: 250-600mm
- Silent wheels
- Finish: white(E01)/grey(E03)/brown(E04)/black(E05)

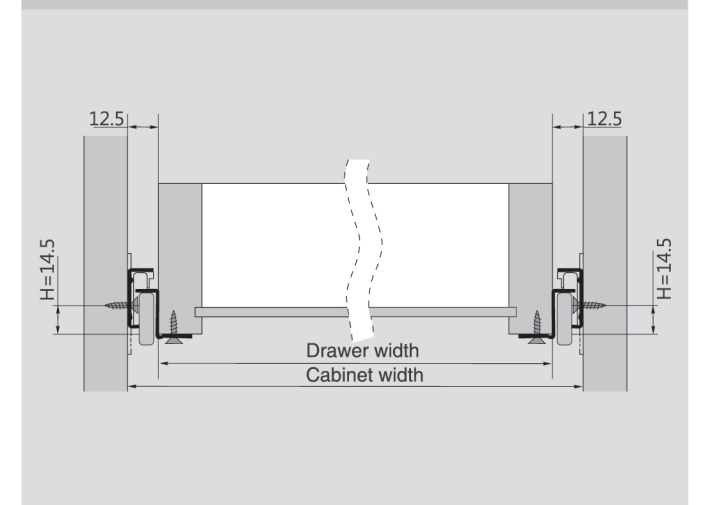
SPACE REQUIREMENT



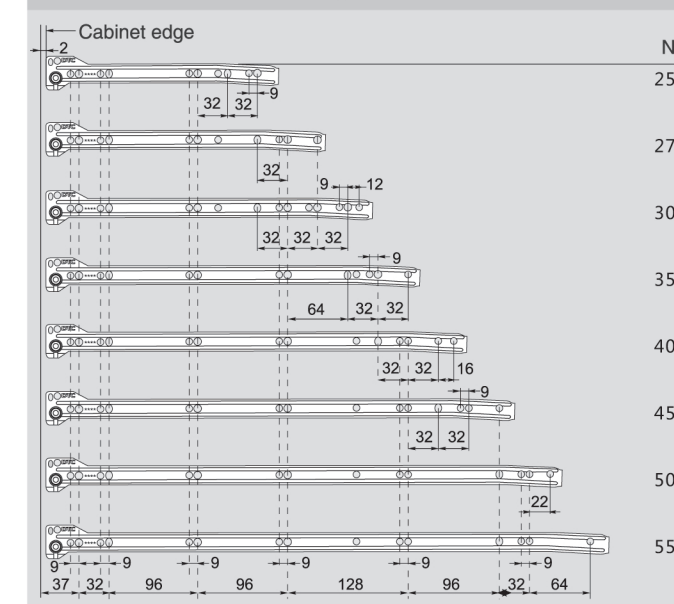
ORDER INFORMATION

1 Slides (left/right)			
White(E01) Grey(E03) Brown(E04) Black(E05)			
NL	Thickness 1.0mm item No.	Thickness 1.2mm item No.	Set/ctn
250mm	L109	L101	24
300mm	L129	L121	24
350mm	L149	L141	24
400mm	L169	L161	24
450mm	L189	L181	24
500mm	L209	L201	24
550mm	L229	L221	24
600mm	L249	L241	24

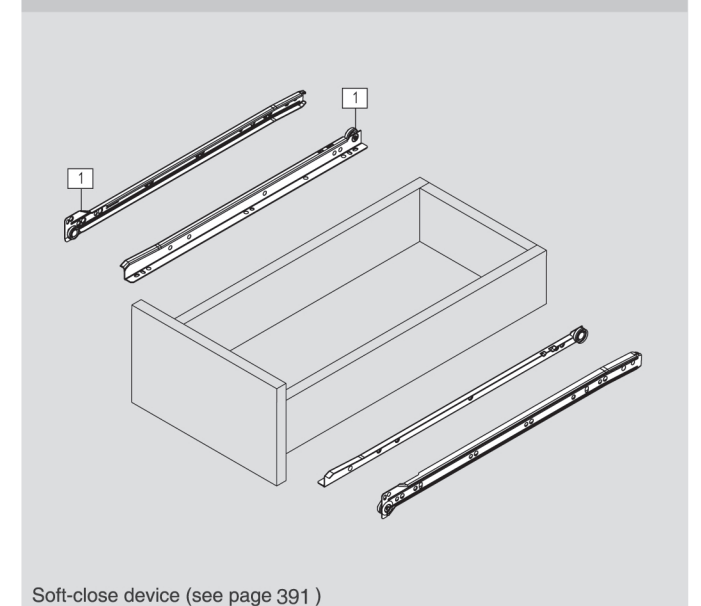
Installation Dimensions(mm)



Screw Positions of the Slides(mm)



Drawer

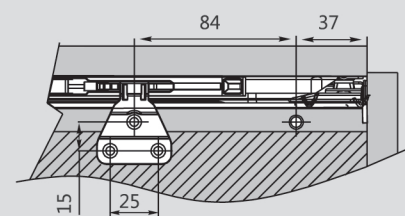
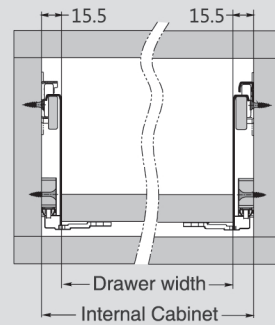




ORDER INFORMATION

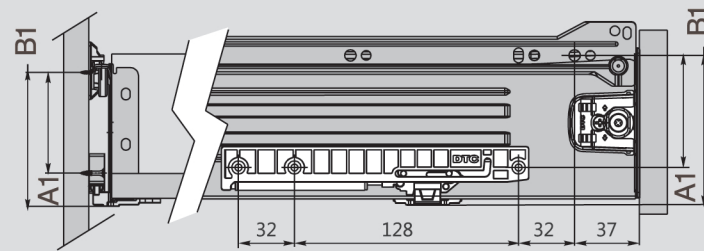
Soft-close Device Installation for Single-wall Drawer

Slide length 250-300mm(10"-12")



Item No.	W-HC1A	
Set/ctn	200	

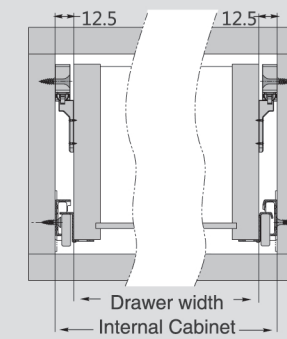
Panel height(mm)	A1(mm)	B1(mm)
54	32	54
86	64	86
118	96	118
150	128	150



ORDER INFORMATION

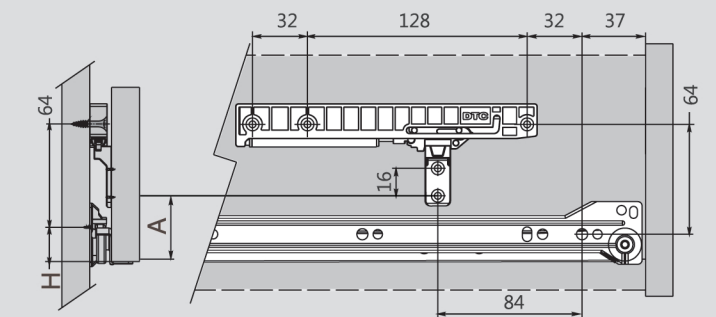
Soft-close Device Installation for Roller Slide

Slide length 250-300mm(10"-12")



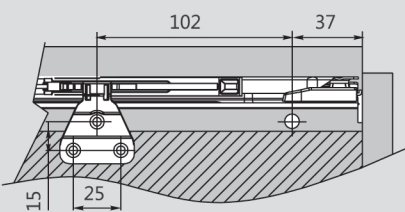
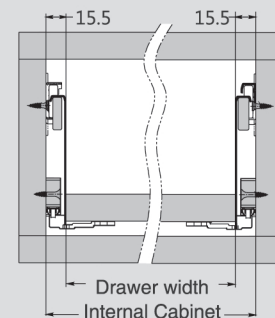
Item No.	W-HC1A-1	
Set/ctn	200	

H(mm)	A(mm)
14.5	37
13	35.5



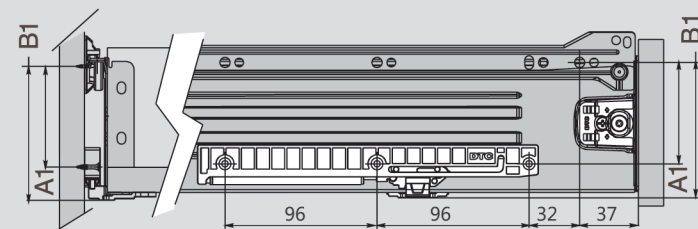
Soft-close Device Installation for Single-wall Drawer

Slide length 350-550mm(14"-22")



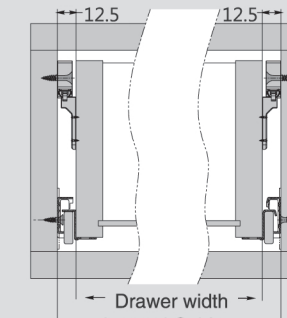
Item No.	W-HC1	
Set/ctn	200	

Panel height(mm)	A1(mm)	B1(mm)
54	32	54
86	64	86
118	96	118
150	128	150



Soft-close Device Installation for Roller Slide

Slide length 350-600mm(14"-24")



Item No.	W-HC1-1	
Set/ctn	200	

H(mm)	A(mm)
14.5	37
13	35.5

