

LAPCON DOOR DAMPER (RECESSED TYPE)



LDD-V

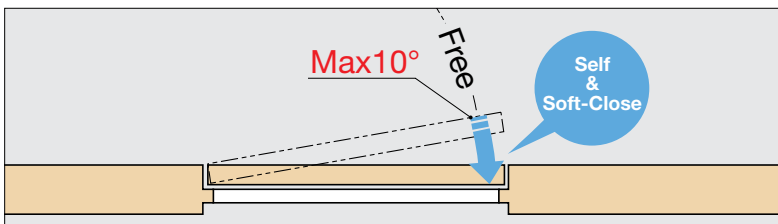
DOOR ACCESSORIES

LAPCON DOOR DAMPERS

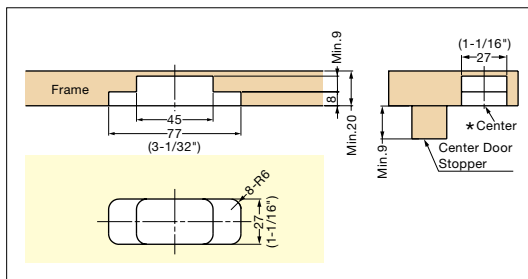
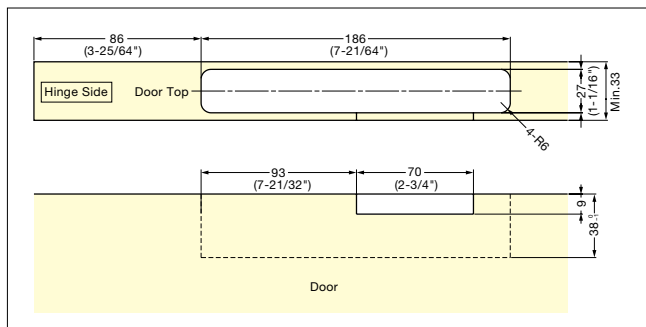
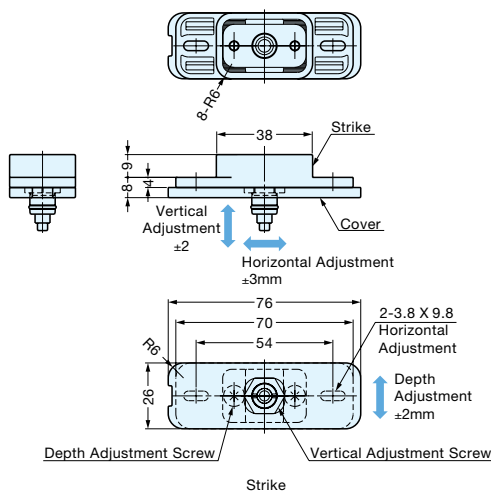
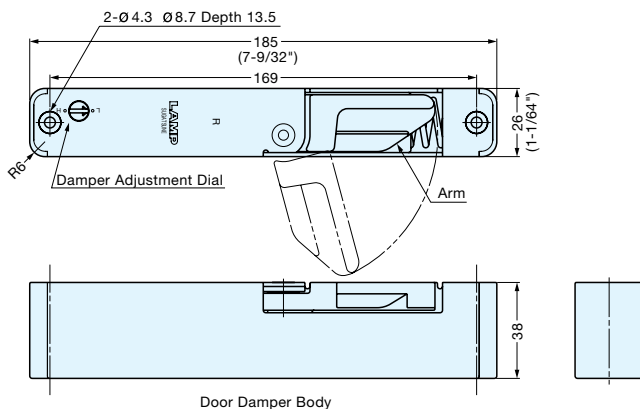


- Door damper unit for interior, swinging doors. Grips door at final 10° and softly, self-closes doors more gently compared to other door closers, putting less stress on the hinges.
- "Invisible" design minimizes visibility of the hardware.
- Recommended Door Specifications:
Thickness: minimum 33 mm (1-5/16")
Width: maximum 914 mm (3' 0")
Weight: 15-40 kg (33-88 lbs)
- Can be adjusted for door weight after installation. Counterplate position can be easily adjusted by removing cover and turning micro-adjustment screws.
- Can be used with HES hinges (P180-187), sold separately.
- Includes screws and paper template for installation.

LDD-V-R is shown



LDD-V-R is shown



Bore Dimensions (Door)

Bore Dimensions (Frame)

Part Name	Material	Finish/Color
Main Body	Steel/Polyacetal/PBT	Chromate/Grey
Counter Plate	Steel/Polyacetal	Nickel/Grey

Item No.	Type	Door Weight	Door Width (mm)	Door Thickness (mm)	Box (pc)	Carton (pcs)
LDD-V-R	Right	15-40 kg (33-88 lbs)	Max. 914 (3' 0")	Min. 33 (1-19/64")	1	24
LDD-V-L	Left					