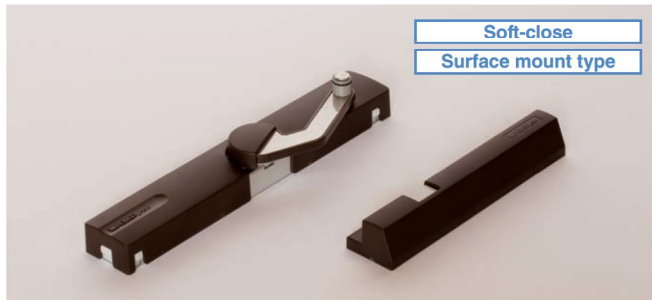


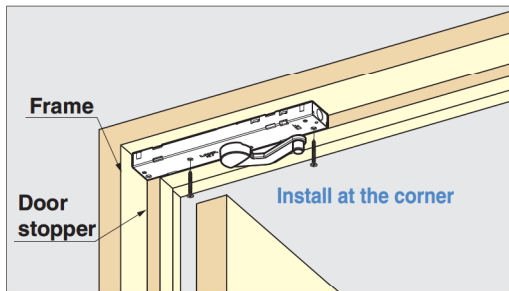
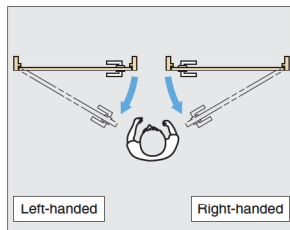
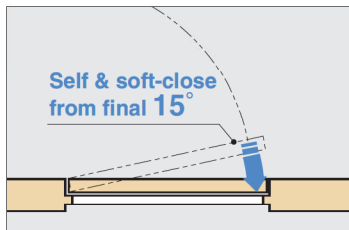
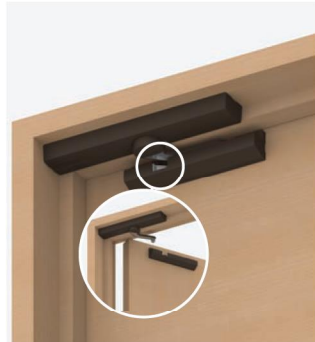
DOOR DAMPER



LDD-S



Right-handed shown.



Available Colours



Features

- Surface mount type.
- Unobtrusive design : damper unit is only 20 mm high, easily fits most door frames.
- Self & soft-close from final 15° .
- Recommended Door Specifications:  
Width : Max. 900 mm  
Weight : 15 - 40 kg
- Successfully passed for the 100,000 open/close private cycle test.
- Available in 4 colours to match your door: White (WT), Light Grey (LGR), Light Brown (LBR) or Dark Brown (DBR).
- Recommended hinge: HES series (P.470-473)

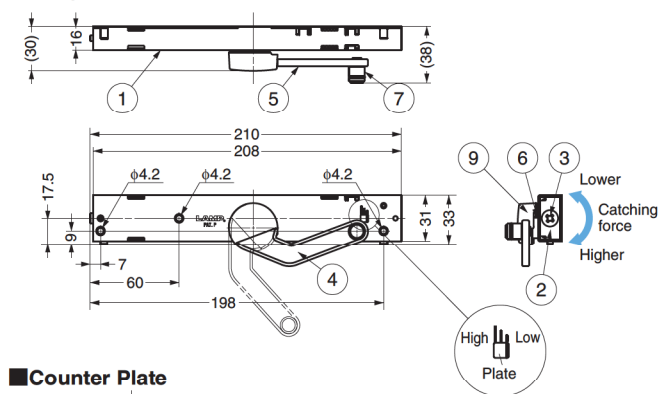
Parts Included

- Countersunk head tapping screw 3.5×30
- Binding head tapping screw 4×16

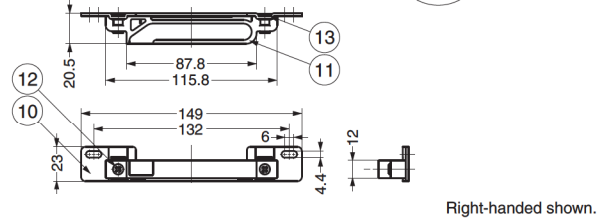
Video Link



Body



Counter Plate



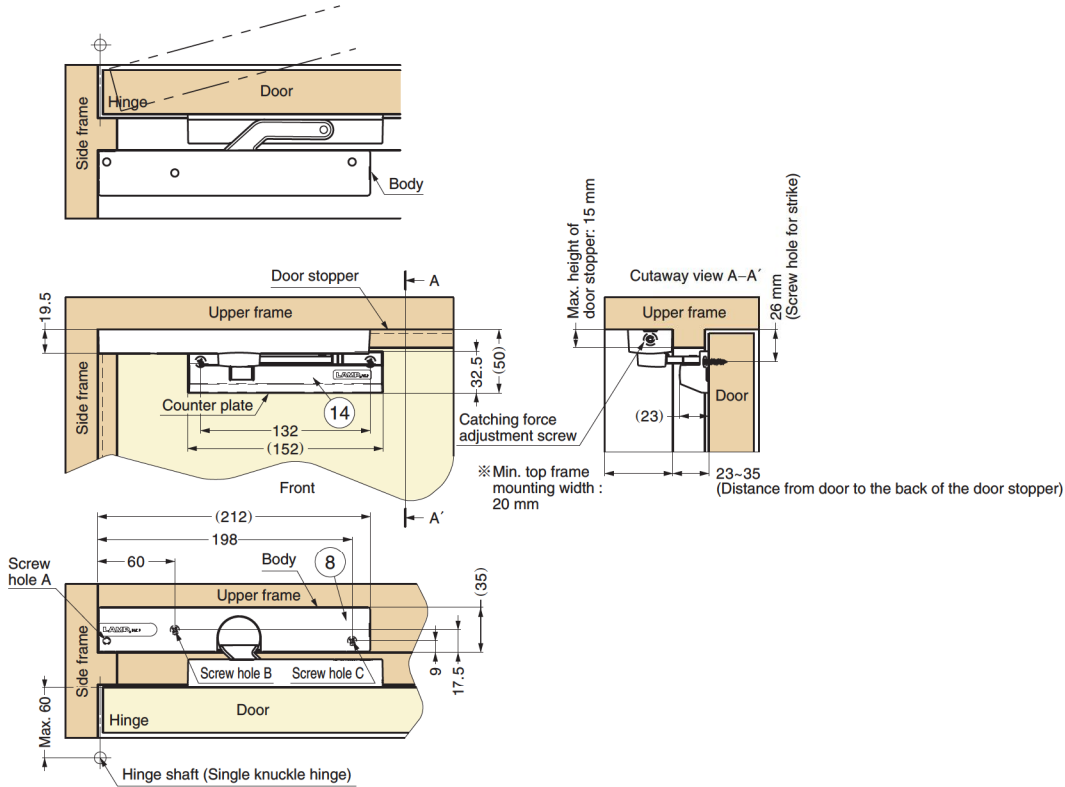
No.	Part Name	Material	Finish/Colour
①	Case	Steel (SGCC)	Chromate
②	Block	Polyacetal (POM)	Natural
③	Catching Force Adjustment Screw	Steel	Chromate
④	Arm	Stainless Steel (SUS304)	Plain
⑤	Arm Spacer	Polyacetal (POM)	(As Left)
⑥	Arm Axis	Zinc Alloy (ZDC)	Chromate
⑦	Roller	Polyacetal (POM)	Grey
⑧	Body Cover	ABS	(As Left)
⑨	Arm Cover	ABS	(As Left)
⑩	Counter Plate	Steel (SPCC)	Chromate
⑪	Guide	Zinc Alloy (ZDC)	Chromate
⑫	Screw	Steel (SWCH)	Nickel
⑬	Nut	Steel (SPCC)	Nickel
⑭	Counter Plate Cover	ABS	(As Left)

Item Code	Item Name	Colour	Type	Door Width	Door Weight	Weight	Carton
270-018-984	LDD-S-R WT	White	Right-handed	Max. 900	15~40 kg	550 g	20 pcs
270-018-985	LDD-S-L WT	White	Left-handed			550 g	20 pcs
270-018-986	LDD-S-R LGR	Light Grey	Right-handed			550 g	20 pcs
270-018-987	LDD-S-L LGR	Light Grey	Left-handed			550 g	20 pcs
270-018-988	LDD-S-R LBR	Light Brown	Right-handed			550 g	20 pcs
270-018-989	LDD-S-L LBR	Light Brown	Left-handed			550 g	20 pcs
270-018-990	LDD-S-R DBR	Dark Brown	Right-handed			550 g	20 pcs
270-018-991	LDD-S-L DBR	Dark Brown	Left-handed			550 g	20 pcs

ARCHITECTURAL DOOR HARDWARE

DOOR DAMPER

■ Installation



※When the distance from door to the back of the door stopper is 20 mm ~ 25 mm, please use the screw hole A and C.

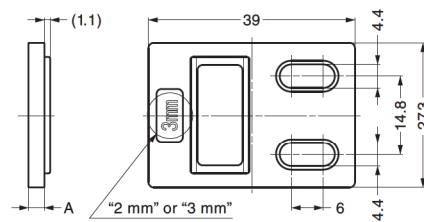
SPACER FOR LDD-S

LDD-S-P



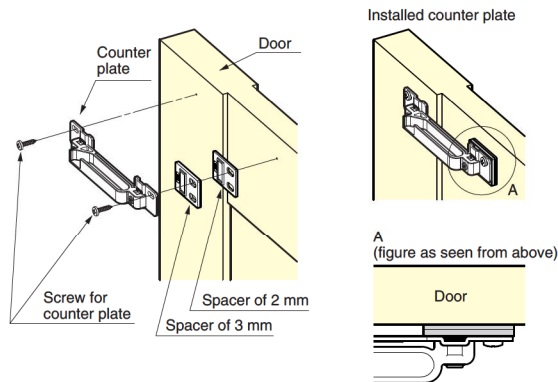
■ Features

- Two types available: 2 mm thickness and 3 mm thickness.
- Can be used for Max. 6 mm thickness gap.



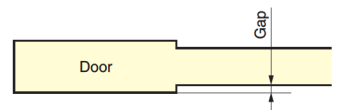
■ Installation

(In case of 5 mm thickness gap)



■ Remarks Before Installation

Check the gap of the door surface and choose the suitable spacer (combination of spacers).



Part Name	Material	Colour
Body	ABS	Black

Item Code	Item Name	A	Weight	Box	Carton
270-021-019	LDD-S-P2 BL	2	2 g	100 pcs	1000 pcs
270-021-020	LDD-S-P3 BL	3	3 g	100 pcs	1000 pcs